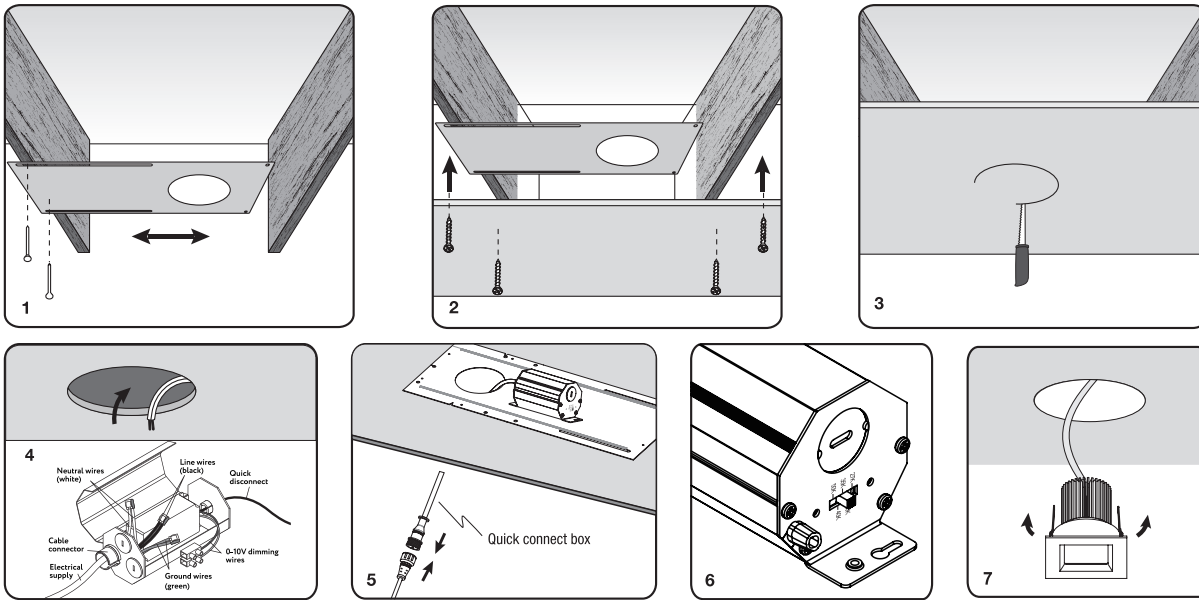




# SONIC INSTALLATION GUIDE

## RECESSED LED DOWNLIGHT

### NEW CONSTRUCTION MOUNTING KIT



#### COMPATIBLE FIXTURES / LUMINAIRES COMPATIBLES

##### IMPORTANT

Read all instructions before installing plate. Retain for future reference.

##### SAFETY

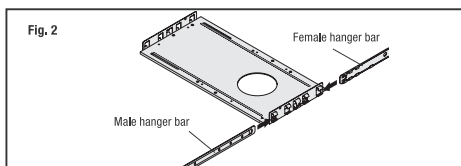
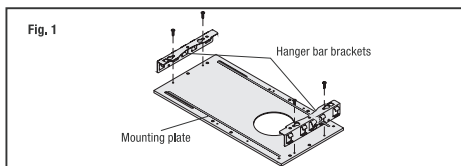
Turn the power off at main fuse/breaker panel before attempting any electrical work. This luminaire must be wired in accordance with local electrical codes and ordinances. Grounding connections should be done in the detachable junction box.

##### WARNING

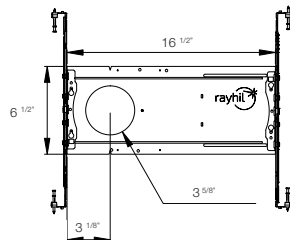
Make sure the power is OFF from the electrical panel before starting installation or attempting any maintenance. Indoor installation only.

##### INSTALLATION

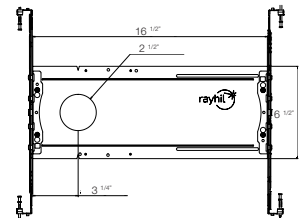
1. Nail-in the mounting plate to the ceiling joist. Measure the position of the opening on the mounting plate from each wall. (Fig.1)
2. Install the drywall on to the ceiling. (Fig.2)
3. Cut-out a circle where the mounting plate opening is located. (Fig.3)
4. Pull the supply wire through the cut-out hole. Do the electrical supply connection in the detachable junction box. (Note: A licensed electrician must do the connections as per the local electrical code). Insert the junction box into the ceiling. (Fig.4)  
If using a 0-10V dimmer, please connect the 0-10V dimmer with the driver. Connecting the purple wire to Purple wire connecting the Gray(Pink) wire to Gray(Pink)wire.
5. Do the connection to the luminaire and close the quick connect box. (Fig.5)
6. Select desired color temperature using the selector button at the back of the fixture. (preset to 2700 K) (Fig. 6)
7. Push the spring clips upwards and push the luminaire into the cut hole of the ceiling. Release the spring clips and align the luminaire to sit properly over the ceiling cut hole. (Fig.7)
8. Switch on the supply breaker and turn on the luminaire.



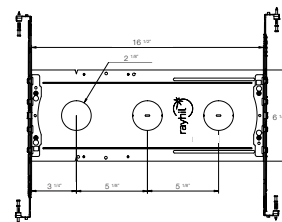
#### PLATE CUT OUT SIZE



RAD35R/RAD35S  $\varnothing$ 3-5/8"(92MM)



RAD25R/RAD25S  $\varnothing$ 2-9/16"(65MM)



RAD15R/RAD15S  $\varnothing$ 2-3/32"(53MM)

#### NEW CONSTRUCTION MOUNTING PLATE ASSEMBLY:

1. Align hanger bar brackets with mounting holes on the new construction mounting plate and secure in place with mounting screws (Fig. 1).

**NOTE:** Hanger bars can be installed on long or short side of the new construction mounting plate.

2. Insert both female and male parts of the hanger bars into the bracket from opposite ends (Fig. 2). Make sure that the male part is inserted within the female part and that the end tab is facing downwards.