



RAD10

SONIC MINI 1.0

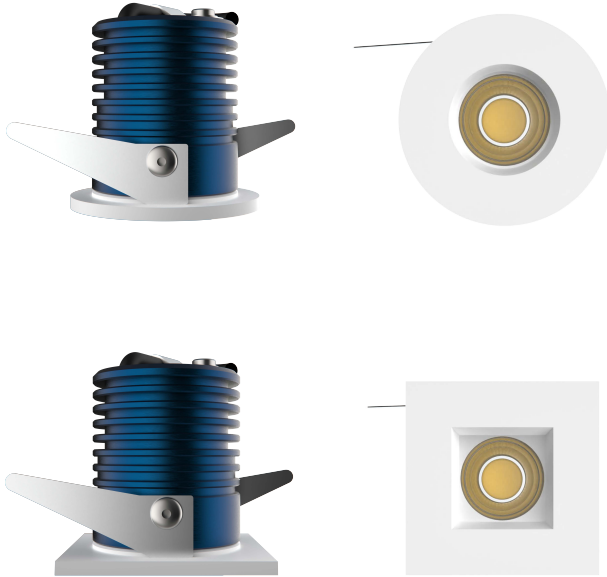
1.0" RECESSED LED DOWNLIGHT

FEATURES

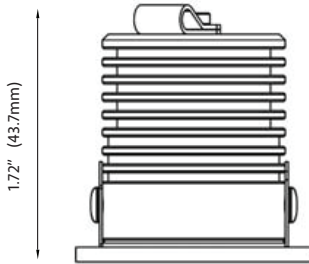
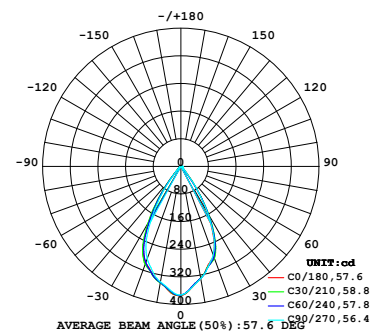
- Air-tight and damp location approved
- Downlight housing is not required even for insulated ceilings
- Extruded aluminum heat sink ensures optimal heat dissipation and LED life
- Not compatible with dimmable drivers
- 5 year warranty

SPECIFICATIONS

Input Voltage	24V
Wattage	5W
Lumen	400lm
Efficacy(LPW)	>60 lm/W
Color Temp	30K/ 35K/ 40K
CRI	>90
Beam Angle	60°
Dimming	NON-DIMMABLE
Lamp Life	50,000hr
Environment	Damp Location
Material	Aluminum Body with Anodized Heat Sink
Operating Temp	-4°F - 104°F
Cut out	1.33 inches



LUMINOUS INTENSITY DISTRIBUTION DIAGRAM



ORDERING GUIDE

RAD10 ____ - 5 - ____ - 24 - 60

Example: RAD10R-5-30K-24-60

TRIM	Wattage	Color Temp	Input Voltage	Beam Angle
RAD10R (Round)	5 (400lm)	3000K	24V	60°
RAD10S (Square)		3500K		
		4000K		

***CONTACT FOR QUICKSHIP OPTIONS**



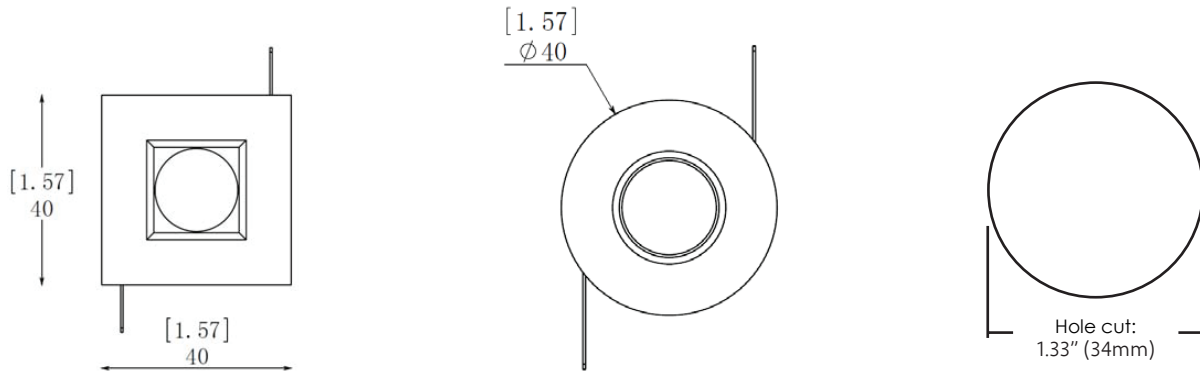
NON-IC RATED



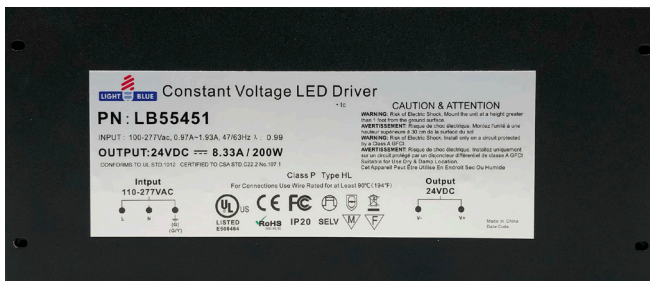
RAD10

SONIC MINI 1.0

1.0" RECESSED LED DOWNLIGHT



COMPATIBLE DRIVERS



PRODUCT FEATURES

- Output constant voltage type
- UL, cUL listed, Class P, Type HL
- Built-in PFC Function
- Protection: short circuit/ over voltage/ over heat
- Suitable for indoor or outdoor installations
- Cooling by free air convection
- Compliance to worldwide safety regulations for lighting

LB55504 - 60W
LB55451 - 200W

LB55450 - 120W
LB55452 - 300W

