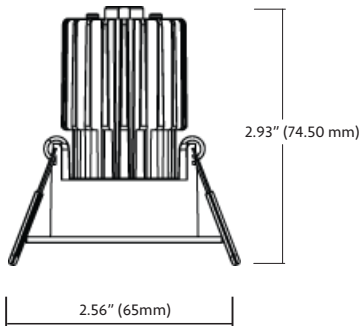
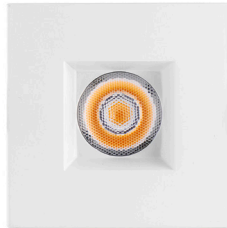
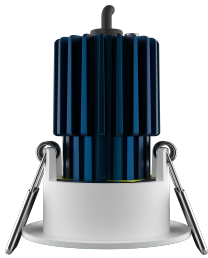




# RAD15

## SONIC 1.5

### 1.5" RECESSED LED DOWNLIGHT



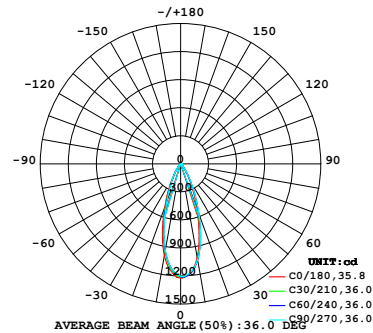
## FEATURES

- Air-tight and wet location approved
- Type ic rated - approved for direct contact with insulation
- Downlight housing is not required even for insulated ceilings
- Spring loaded mounting clips
- Quick connect wire allows for efficient installation
- Isolated driver inside junction box
- New construction plate available (NCH150)
- Optional Emergency Backup
- 5 year warranty

## SPECIFICATIONS

Input Voltage	120 or 277V AC
Wattage	7W
Lumen	600lm
Efficacy(LPW)	>82 lm/W
Color Temp	30K/ 35K/ 40K
CRI	>90
Beam Angle	36°
Dimming	Triac or 0-10V (with 277V driver)
Lamp Life	50,000hr
Environment	IP65 Wet Location
Material	Aluminum Body with Anodized Heat Sink
Operating Temp	-4°F - 104°F
Cut out	2 inches

## LUMINOUS INTENSITY DISTRIBUTION DIAGRAM



## ORDERING GUIDE

RAD15 \_\_\_ - 7 - \_\_\_ - \_\_\_ - 36 - \_\_\_ - \_\_\_

Example: RAD15R-7-30K-120-36-WT-EM

TRIM	Wattage	Color Temp	Input Voltage	Beam Angle	Trim Finish	EM
RAD15R (Round)	7 (600lm)	3000K	120 (Triac Dim)	36°	WT White	EM
RAD15S (Square)		3500K	277 (0-10V Dim)		BK Black	
		4000K			BN Brushed Nickel	
					GD Gold	
					BZ Bronze	
					CP Copper	



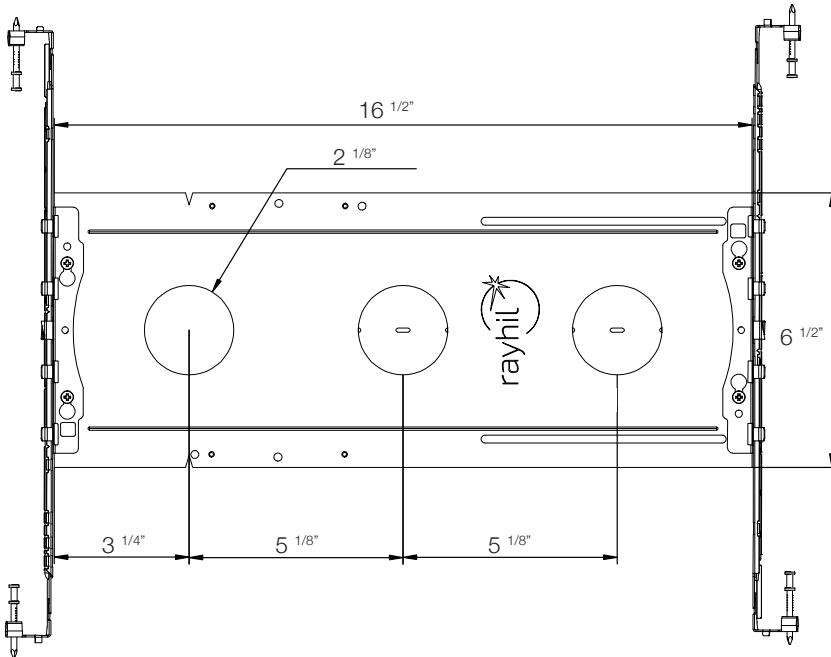
**\*QUICKSHIP CONFIGURATION - 120V 36 DEGREE BEAM ANGLE**



# RAD15 SONIC 1.5

1.5" RECESSED LED DOWNLIGHT

## ACCESSORIES / OPTIONS

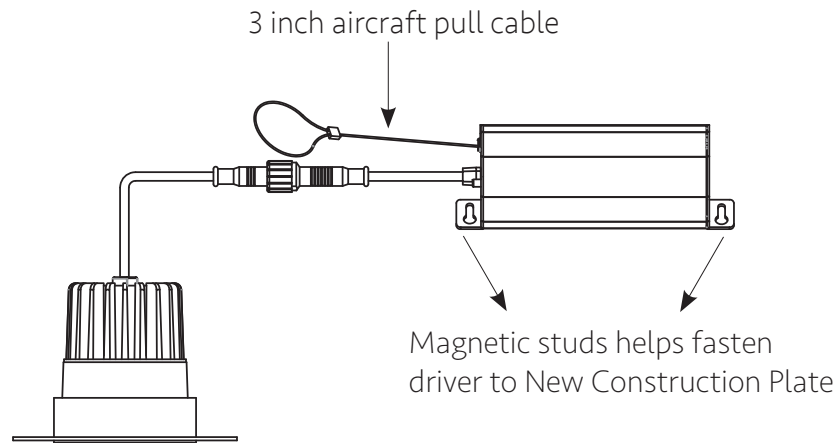


### NEW CONSTRUCTION MOUNTING PLATE NCH150

Constructed out of galvanized steel

Magnetic plate and driver facilitate easy and secure placement

Adjustable Hanger Bars up to 24"





# RAD15 SONIC 1.5

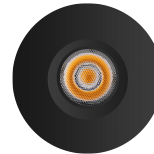
1.5" RECESSED LED DOWNLIGHT

## TRIM COLOR OPTIONS

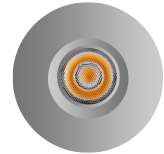
White	WT
Black	BK
Brushed nickel	BN
Gold	GD
Bronze	BZ
Copper	CP



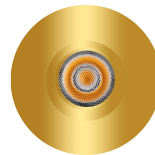
Existing Trim



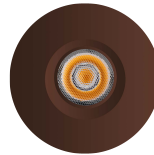
RAD15R-BK



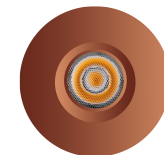
RAD15R-BN



RAD15R-GD



RAD15R-BZ



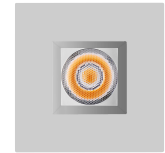
RAD15R-CP



Existing Trim



RAD15S-BK



RAD15S-BN



RAD15S-GD



RAD15S-BZ



RAD15S-CP



# RAD15 SONIC 1.5

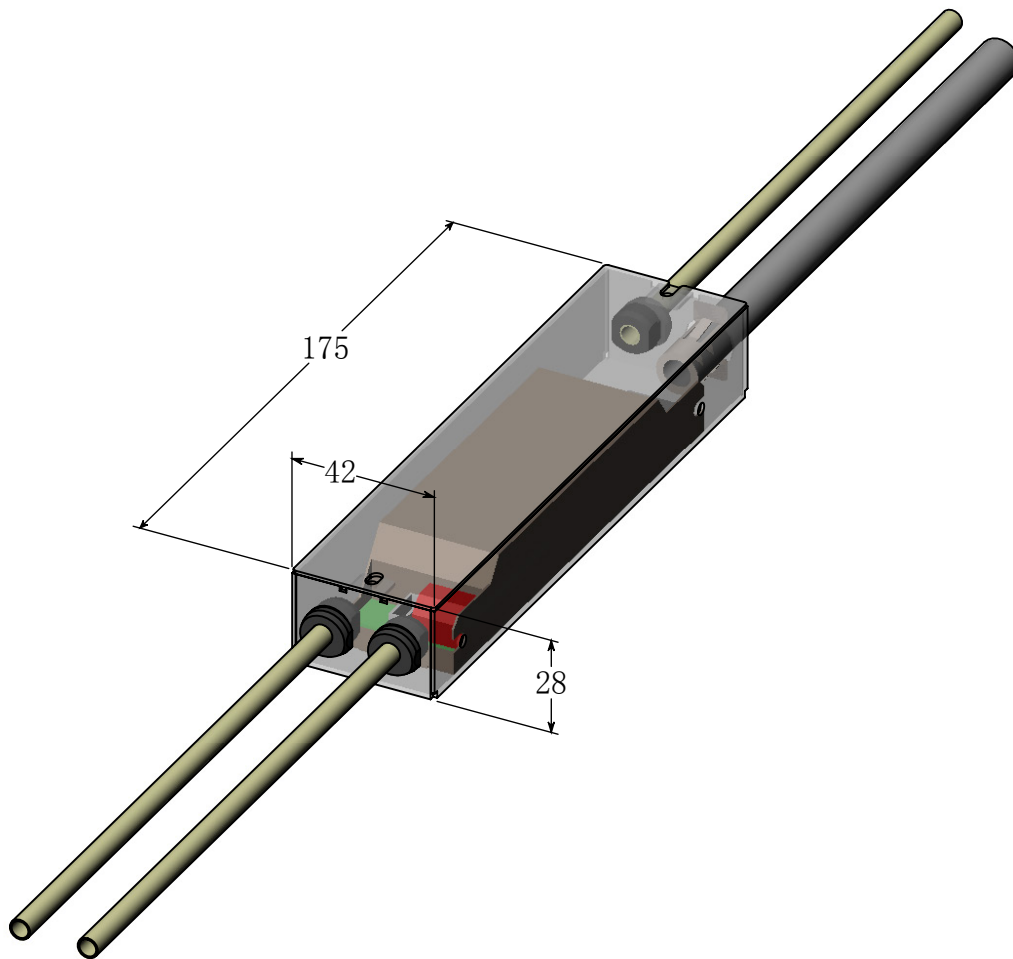
1.5" RECESSED LED DOWNLIGHT

## EMERGENCY BACK UP DRIVER

### RAD15-EM

90 minute run time

See spec sheet for for further information





# RAD15 SONIC 1.5

1.5" RECESSED LED DOWNLIGHT

## COMPATIBLE DIMMERS

<b>LUTRON</b>	LOAD (W)	<b>LEVITON</b>	LOAD (W)
SKYLARK CONTOUR LECL-153P	150W	ILLUMATEC IPL06	150W
SKYLARK CONTOUR CTCL-150H	150W	SURESLIDE 6672	150W
SKYLARK CONTOUR LGCL-153PLH	150W	SURESLIDE 6674	150W
SKYLARK CONTOUR CTCL-153P	150W		
SKYLARK CONTOUR SCL-153P	150W	<b>EATON</b>	
SKYLARK CONTOUR S-600P	600W	SMART DIMMER AAL06	300W
CASETA PD-6WCL	600W		
CASETA PD-5NE	150W	<b>PASS &amp; SEYMOUR</b>	
CASETA PD-10NXD	250W	HARMONY DCL453PTCCCV6	150W
DIVA DVCL-153P	150W		
TOGGLER TGCL-153P	150W	<b>GE</b>	
ARIADNI AYCL-153P	150W	ROCKER 10464	150W
MAESTRO MACL-153M	150W	TOGGLE 18027	150W