



# RAD25 SONIC 2.5

2.5" RECESSED LED DOWNLIGHT



## FEATURES

- Air-tight and wet location approved
- Type IC rated - approved for direct contact with insulation
- Downlight housing is not required for insulated ceiling
- Quick connect wire allows for efficient installation
- Isolated driver inside junction box
- New construction plate available (NCH2526)
- Optional Emergency Backup
- 5 Year Warranty

## SPECIFICATIONS

Wattage	9W / 14W	Dimming	5% - 100% Triac & 0-10V
Lumens (Delivered)	800LM / 1100LM	Environment	IP65 Wet Location
Input Voltage	120-277V	Material	Aluminum Body with Anodized Heat Sink
CCT	5CCT Select / 1800K - 3000K Dim to Warm	Operating Temperature	-4°F - 104°F
Efficacy	>82LM/W	Lamp Life	50,000 hrs
CRI	>90	Cut Out	2.36"
Beam Angle	24°/38°/50°		





# RAD25 SONIC 2.5

2.5" RECESSED LED DOWNLIGHT

## ORDERING GUIDE

RAD25 - \_\_\_\_\_ - \_\_\_\_\_ - \_\_\_\_\_ - UNV - \_\_\_\_\_ - \_\_\_\_\_ - \_\_\_\_\_ - \_\_\_\_\_ - \_\_\_\_\_

*Example: RAD25-R-9-CCT-UNV-24-HX-PH-WT-EM-CP*

Model	Wattage	Color Temperature	Input Voltage	Beam Angle	Lens
<b>RAD25R</b> (Round)	<b>9</b> 9W (800LM)	<b>CCT</b> CCT Adj. (27K, 30K, 35K 40K, 50K)	<b>UNV</b> 120-277V (5%-100% Triac & 0-10V)	<b>24</b> 24°	None (Leave Blank)
<b>RAD25S</b> (Square)	<b>14</b> 14W (1100LM)			<b>38</b> 38°	<b>HX</b> Hex Louver
		<b>DTW</b> 1800K - 3000K (Dim to Warm)		<b>50</b> 50°	
Aperture	Trim Finish	EM	Protection		
Standard (Leave Blank)	<b>WT</b> White	None (Leave Blank)	None (Leave Blank)		
<b>PH</b> Pinhole	<b>BK</b> Black	<b>EM</b> EM Battery	<b>CP</b> Chicago Plenum		
	<b>BN</b> Brushed Nickel				
	<b>GD</b> Gold				
	<b>CP</b> Copper				

## NEW CONSTRUCTION HOUSING

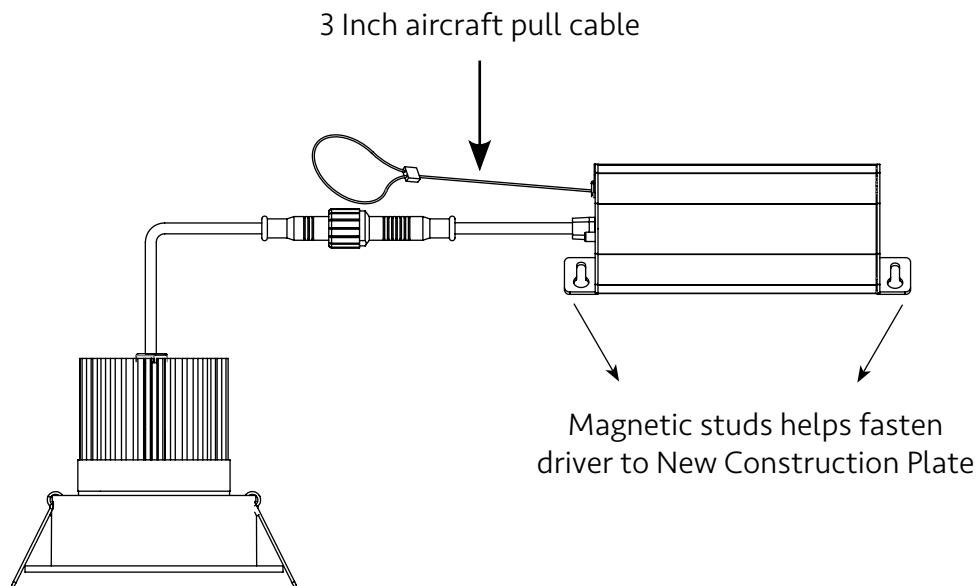
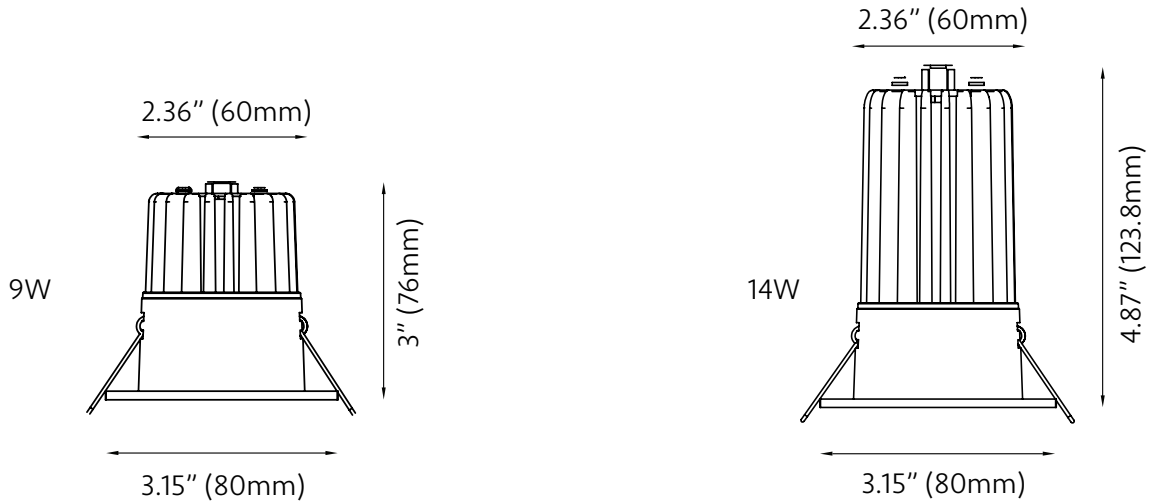
Model	Description
NCH2526	New Construction Housing Plate



# RAD25 SONIC 2.5

2.5" RECESSED LED DOWNLIGHT

## DIMENSIONS





# RAD25 SONIC 2.5

2.5" RECESSED LED DOWNLIGHT

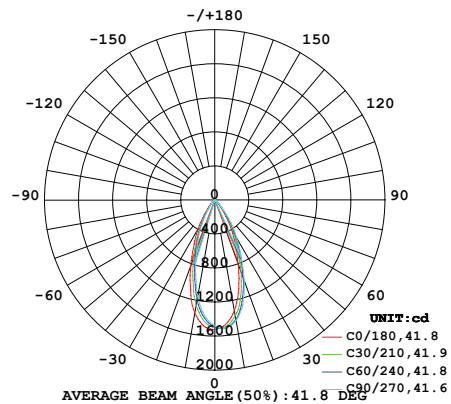
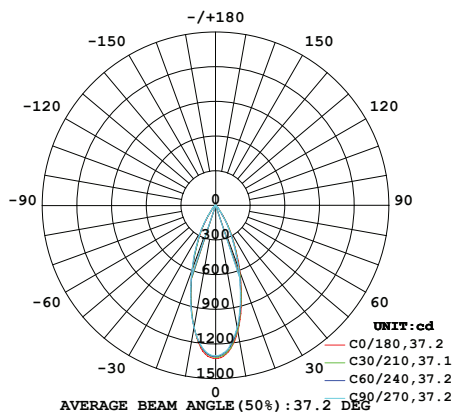
Standard Optic



Hex Louver Lens



## LUMINOUS INTENSITY DISTRIBUTION DIAGRAM





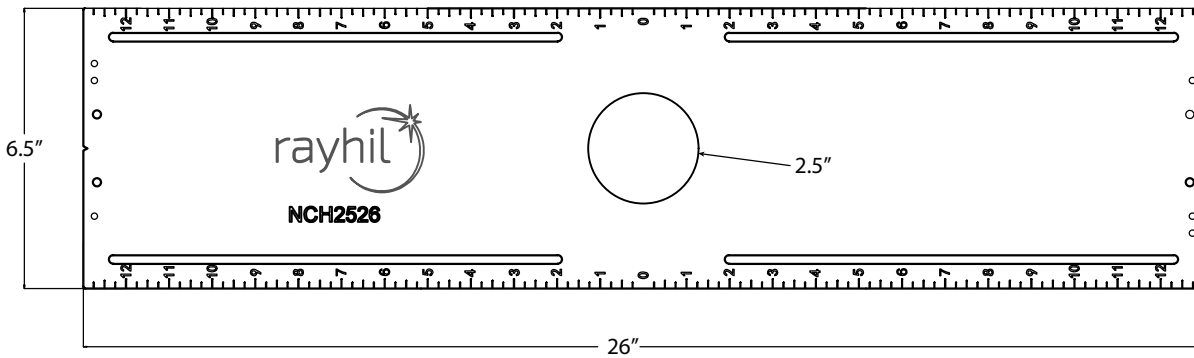
# RAD25 SONIC 2.5

2.5" RECESSED LED DOWNLIGHT

## ACCESSORIES

### NEW CONSTRUCTION MOUNTING PLATE NCH2526

- Constructed out of galvanized steel
- Magnetic plate and driver facilitate easy and secure placement





# RAD25 SONIC 2.5

2.5" RECESSED LED DOWNLIGHT

## TRIM COLOR OPTION

White	WT
Black	BK
Brushed Nickel	BN
Gold	GD
Bronze	BZ
Copper	CP



Existing Trim



RAD25R-BK



RAD25R-BN



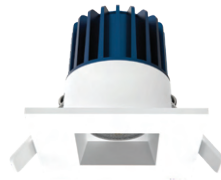
RAD25R-GD



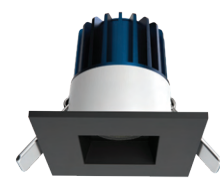
RAD25R-BZ



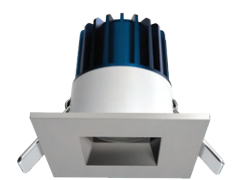
RAD25R-CP



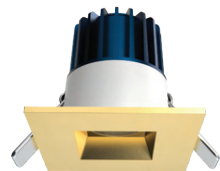
Existing Trim



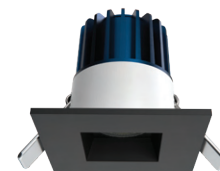
RAD25S-BK



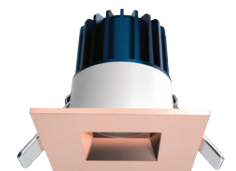
RAD25S-BN



RAD25S-GD



RAD25S-BZ

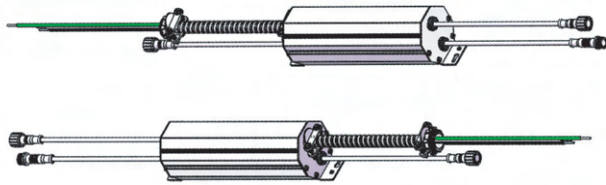


RAD25S-CP



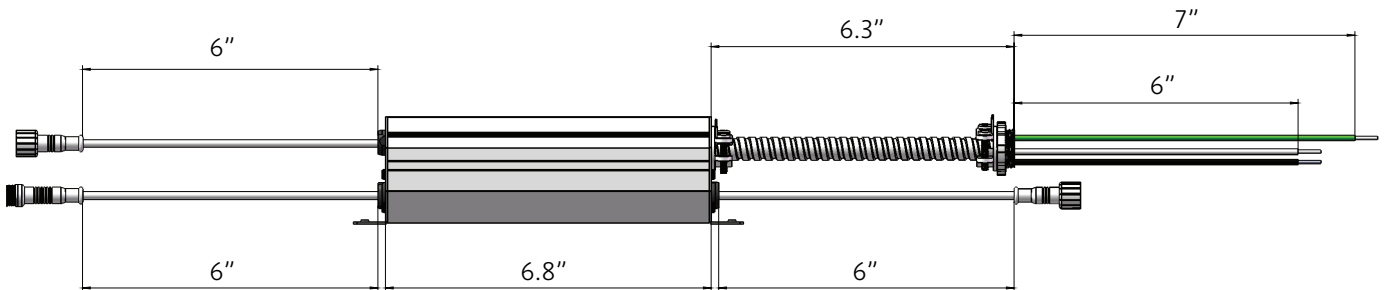
# RAD25 SONIC 2.5

2.5" RECESSED LED DOWNLIGHT



EMERGENCY BACK UP DRIVER  
RAD25/35-EM

90 minute run time  
See spec sheet for further information





# RAD25 SONIC 2.5

2.5" RECESSED LED DOWNLIGHT

## COMPATIBLE DIMMERS

LUTRON	LOAD (W)
SKYLARK CONTOUR LECL-153P	150W
SKYLARK CONTOUR CTCL-150H	150W
SKYLARK CONTOUR LGCL-153PLH	150W
SKYLARK CONTOUR CTCL-153P	150W
SKYLARK CONTOUR SCL-153P	150W
SKYLARK CONTOUR S-600P	600W
CASETA PD-6WCL	600W
CASETA PD-5NE	150W
CASETA PD-10NXD	250W
DIVA DVCL-153P	150W
TOGLER TGGL-153P	150W
ARIADNI AYCL-153P	150W
MAESTRO MACL-153M	150W

LUTRON	LOAD (W)
ILLUMATEC IPL06	150W
SURESLIDE 6672	150W
SURESLIDE 6674	150W

EATON	LOAD (W)
SMART DIMMER AAL06	300W

PASS & SEYMOUR	LOAD (W)
HARMONY DCL453PTCCCV6	150W

GE	LOAD (W)
ROCKER 10464	150W
TOGGLE 18027	150W