



# RAD25 SONIC 2.5

2.5" RECESSED LED DOWNLIGHT

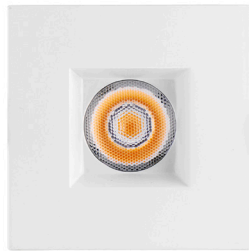
9W



## FEATURES

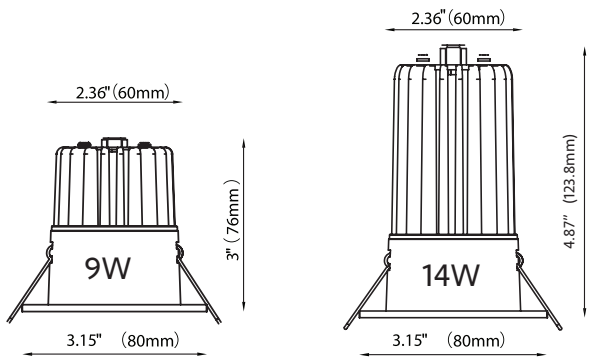
- Air-tight and wet location approved
- Type IC rated - approved for direct contact with insulation
- Downlight housing is not required for insulated ceilings
- Quick connect wire allows for efficient installation
- Isolated driver inside junction box
- New construction plate available (NCH250)
- Optional Emergency Backup
- 5 year warranty

14W

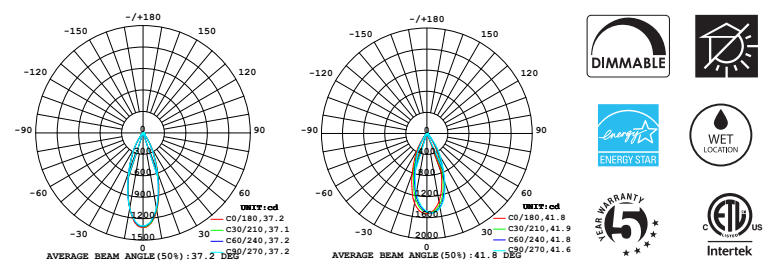


## SPECIFICATIONS

Input Voltage	120 or 277V AC
Wattage	9/14W
Lumen	800/1100lm
Efficacy(LPW)	>82 lm/W
Color Temp	27K, 30K, 35K, 40K, 50K (CCT adj.)
CRI	>90
Beam Angle	24°/38°/50°
Dimming	Triac or 0-10V (with 277V driver)
Lamp Life	50,000hr
Environment	IP65 Wet Location
Material	Aluminum Body with Anodized Heat Sink
Operating Temp	-4°F - 104°F
Cut out	2.36 inches



## LUMINOUS INTENSITY DISTRIBUTION DIAGRAM



## ORDERING GUIDE

**RAD25 -** \_\_\_\_\_ **Example: RAD25R-9-CCT-120-15-WT-EM**

TRIM	Wattage	Color Temperature	Input Voltage	Beam Angle	Trim Finish	EM
RAD25R (Round)	9 (800lm)	CCT adj.	120 (Triac Dim)	24°	WT White	EM
RAD25S (Square)	14 (1100lm)	(27K, 30K, 35K, 40K, 50K)	277 (0-10V Dim)	38° 50°	BK Black BN Brushed Nickel GD Gold BZ Bronze CP Copper	

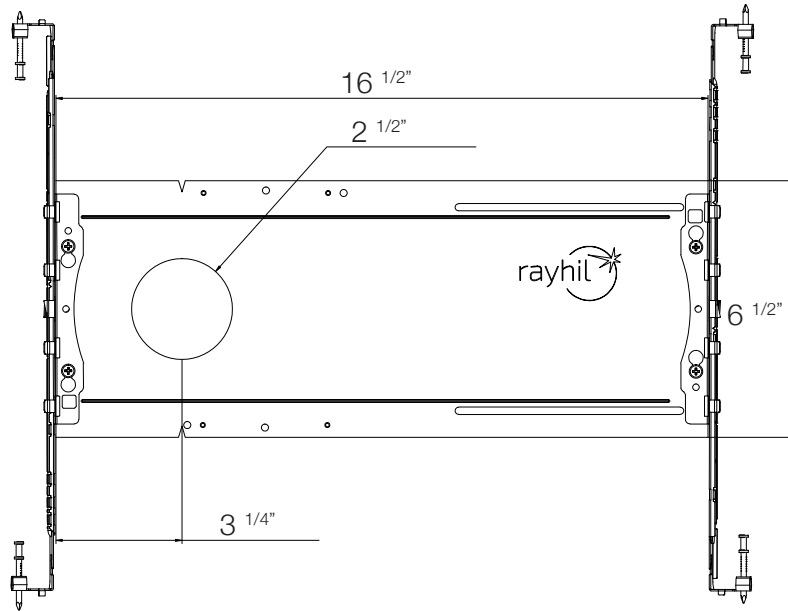
**\*QUICKSHIP CONFIGURATION - 120V 38 DEGREE BEAM ANGLE**



# RAD25 SONIC 2.5

## 2.5" RECESSED LED DOWNLIGHT

### ACCESSORIES / OPTIONS

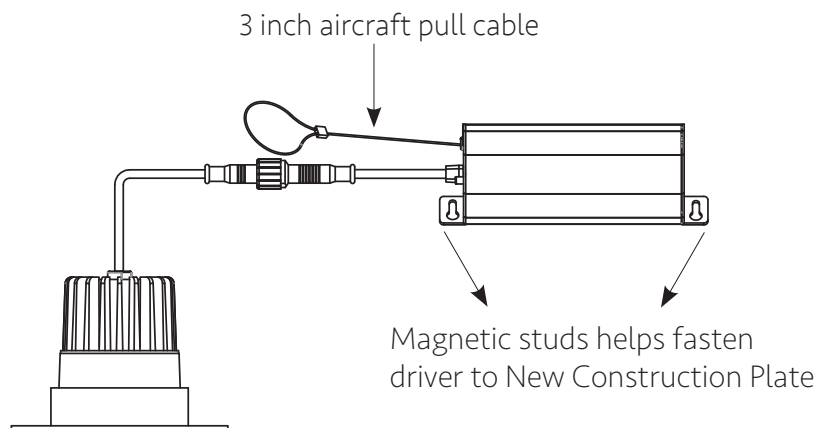


#### NEW CONSTRUCTION MOUNTING PLATE NCH250

Constructed out of galvanized steel

Magnetic plate and driver facilitate easy and secure placement

Adjustable Hanger Bars up to 24"





# RAD25 SONIC 2.5

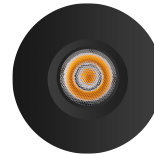
2.5" RECESSED LED DOWNLIGHT

## TRIM COLOR OPTIONS

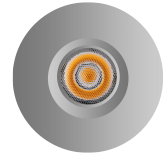
White	WT
Black	BK
Brushed nickel	BN
Gold	GD
Bronze	BZ
Copper	CP



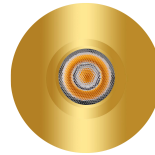
Existing Trim



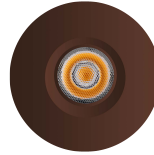
RAD25-BK



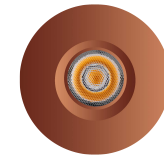
RAD25R-BN



RAD25R-GD



RAD25R-BZ



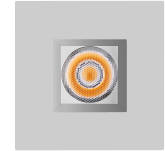
RAD25R-CP



Existing Trim



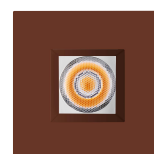
RAD25S-BK



RAD25S-BN



RAD25S-GD



RAD25S-BZ

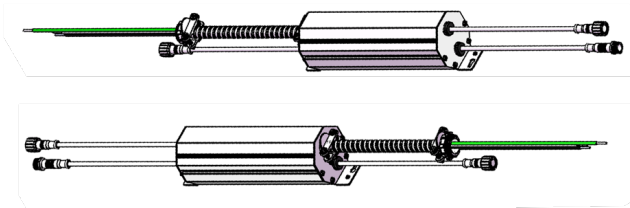


RAD25S-CP



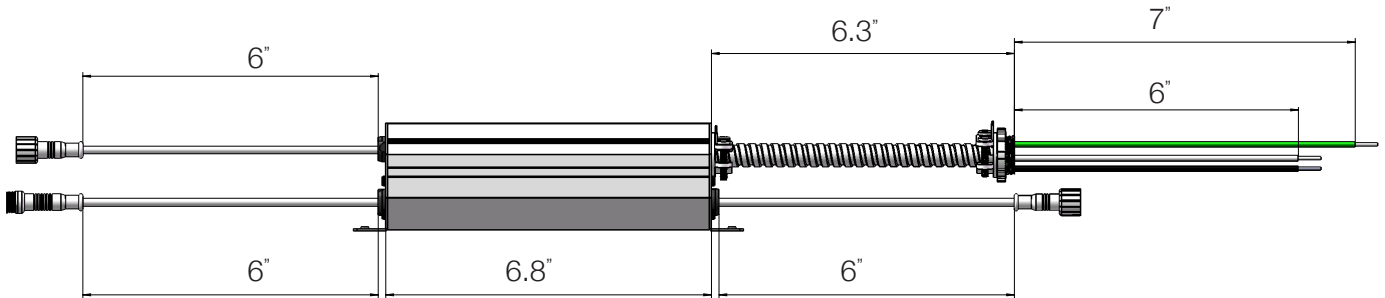
# RAD25 SONIC 2.5

2.5" RECESSED LED DOWNLIGHT



## EMERGENCY BACK UP DRIVER RAD25/35-EM

90 minute run time  
See spec sheet for further information





# RAD25 SONIC 2.5

2.5" RECESSED LED DOWNLIGHT

## COMPATIBLE DIMMERS

<b>LUTRON</b>	LOAD (W)	<b>LEVITON</b>	LOAD (W)
SKYLARK CONTOUR LECL-153P	150W	ILLUMATEC IPL06	150W
SKYLARK CONTOUR CTCL-150H	150W	SURESLIDE 6672	150W
SKYLARK CONTOUR LGCL-153PLH	150W	SURESLIDE 6674	150W
SKYLARK CONTOUR CTCL-153P	150W		
SKYLARK CONTOUR SCL-153P	150W	<b>EATON</b>	
SKYLARK CONTOUR S-600P	600W	SMART DIMMER AAL06	300W
CASETA PD-6WCL	600W	<b>PASS &amp; SEYMOUR</b>	
CASETA PD-5NE	150W	HARMONY DCL453PTCCCV6	150W
CASETA PD-10NXD	250W		
DIVA DVCL-153P	150W	<b>GE</b>	
TOGGLER TGCL-153P	150W	ROCKER 10464	150W
ARIADNI AYCL-153P	150W	TOGGLE 18027	150W
MAESTRO MACL-153M	150W		