



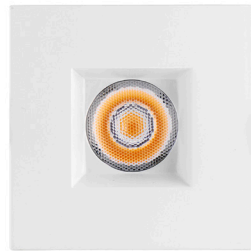
RAD25 SONIC 2.5

2.5" RECESSED LED DOWNLIGHT

9W



14W

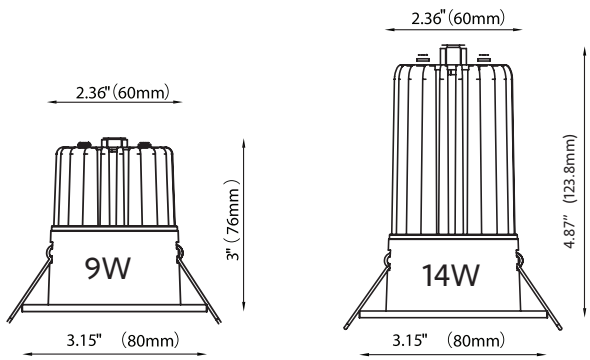


FEATURES

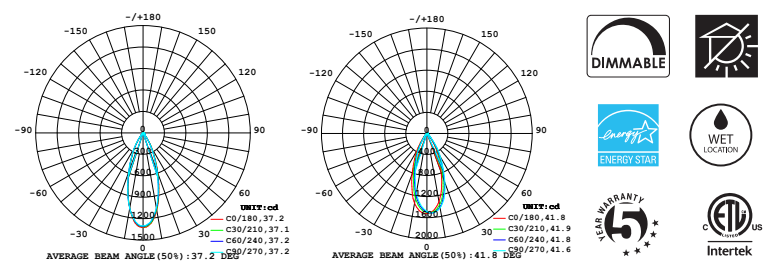
- Air-tight and wet location approved
- Type Ic rated - approved for direct contact with insulation
- Downlight housing is not required even for insulated ceilings
- Spring loaded mounting clips
- Quick connect wire allows for efficient installation
- Isolated driver inside junction box
- New construction plate available (NCH250)
- Optional Emergency Backup
- 5 year warranty
- Trimless option available

SPECIFICATIONS

Input Voltage	120 or 277V AC
Wattage	9/14W
Lumen	800/1100lm
Efficacy(LPW)	>82 lm/W
Color Temp	27K, 30K, 35K, 40K, 50K (CCT adj.)
CRI	>90
Beam Angle	15° / 24°/38°
Dimming	Triac or 0-10V (with 277V driver)
Lamp Life	50,000hr
Environment	IP65 Wet Location
Material	Aluminum Body with Anodized Heat Sink
Operating Temp	-4°F - 104°F
Cut out	2.36 inches



LUMINOUS INTENSITY DISTRIBUTION DIAGRAM



ORDERING GUIDE

RAD25

Example: RAD25R-9-CCT-120-15-WT-EM

TRIM	Wattage	Color Temperature	Input Voltage	Beam Angle	Trim Finish	EM
RAD25R (Round)	9 (800lm)	CCT adj.	120 (Triac Dim)	15°	WT White	EM
RAD25S (Square)	14 (1100lm)	(27K, 30K, 35K, 40K, 50K)	277 (0-10V Dim)	24°	BK Black	
RAD25TMS-R (Trimless Round)		3000K		38°	BN Brushed Nickel	
RAD25TMS-S (Trimless Square)		3500K			GD Gold	
		4000K			BZ Bronze	
					CP Copper	

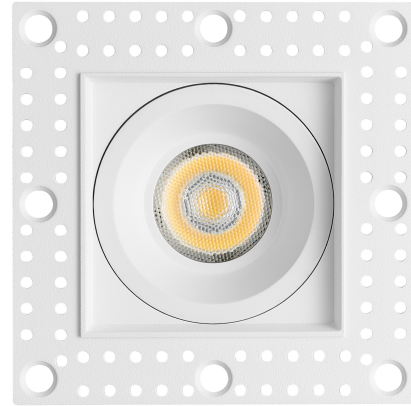
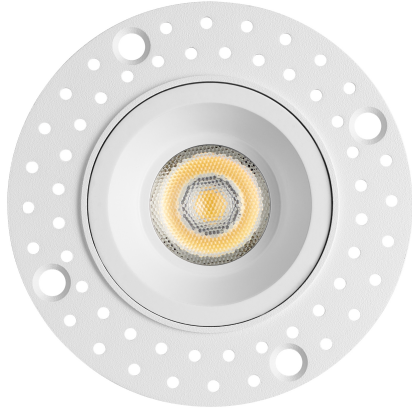
***QUICKSHIP CONFIGURATION - 120V 38 DEGREE BEAM ANGLE**



RAD25TMS

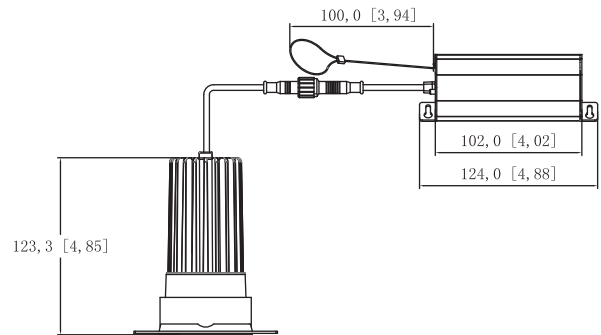
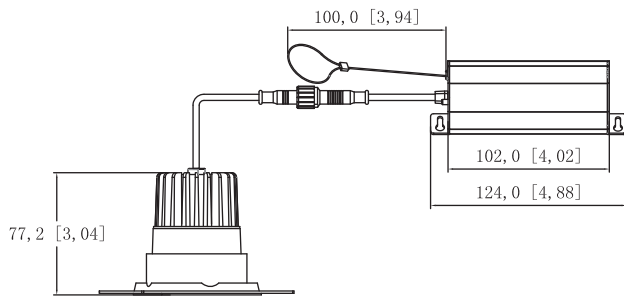
SONIC 2.5

2.5" TRIMLESS DOWNLIGHT



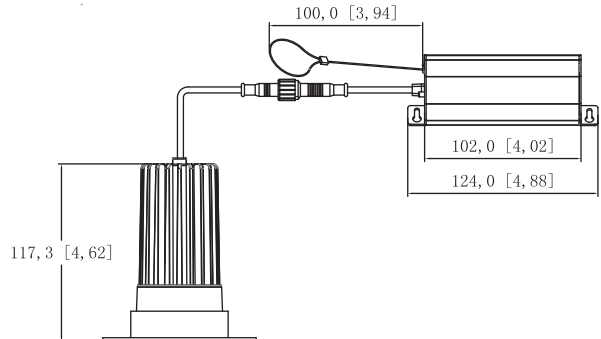
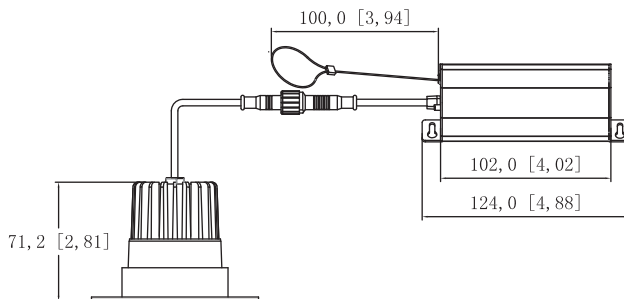
9W TRIMLESS SQUARE

14W TRIMLESS SQUARE



9W TRIMLESS ROUND

14W TRIMLESS ROUND

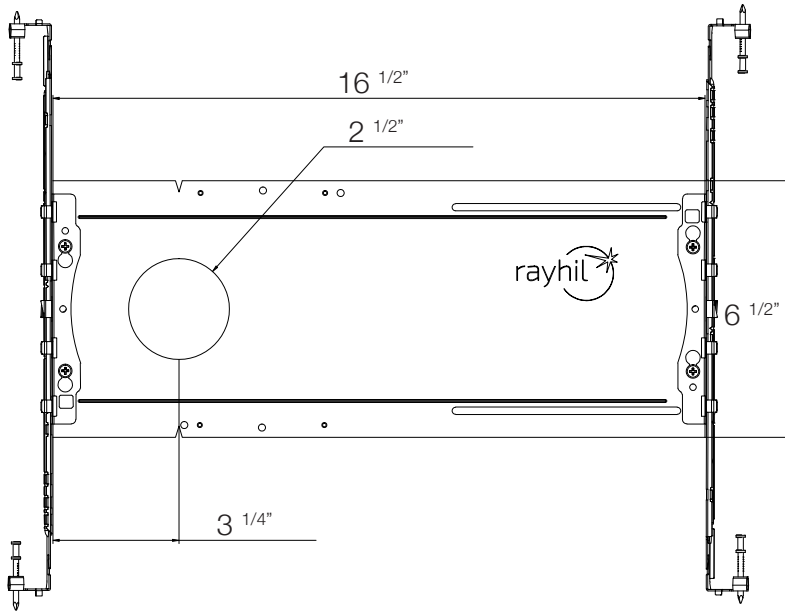




RAD25 SONIC 2.5

2.5" RECESSED LED DOWNLIGHT

ACCESSORIES / OPTIONS

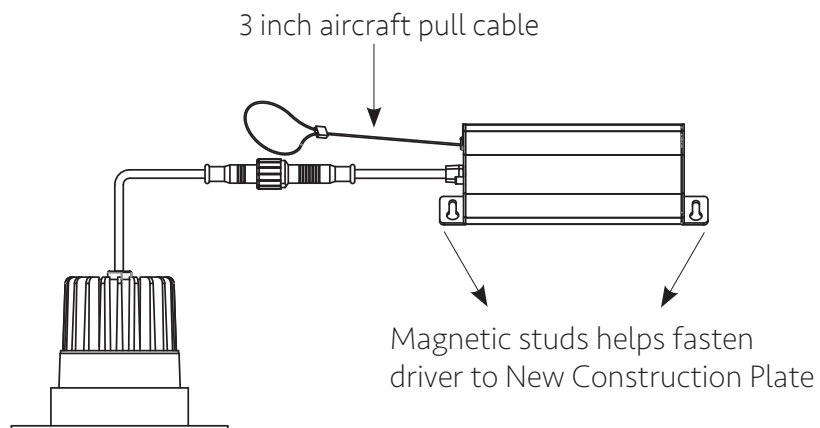


NEW CONSTRUCTION MOUNTING PLATE NCH250

Constructed out of galvanized steel

Magnetic plate and driver facilitate easy and secure placement

Adjustable Hanger Bars up to 24"



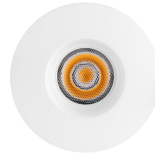


RAD25 SONIC 2.5

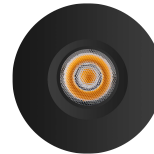
2.5" RECESSED LED DOWNLIGHT

TRIM COLOR OPTIONS

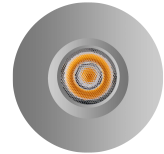
- | | |
|----------------|----|
| White | WT |
| Black | BK |
| Brushed nickel | BN |
| Gold | GD |
| Bronze | BZ |
| Copper | CP |



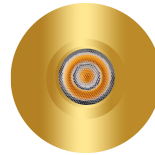
Existing Trim



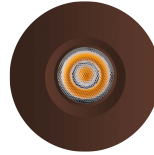
RAD25-BK



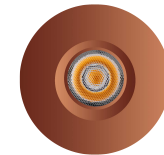
RAD25R-BN



RAD25R-GD



RAD25R-BZ



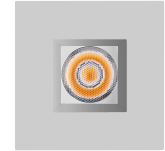
RAD25R-CP



Existing Trim



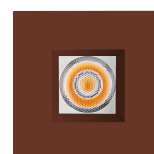
RAD25S-BK



RAD25S-BN



RAD25S-GD



RAD25S-BZ

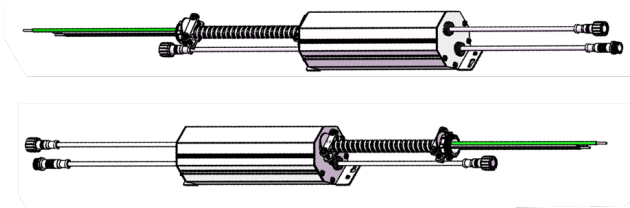


RAD25S-CP



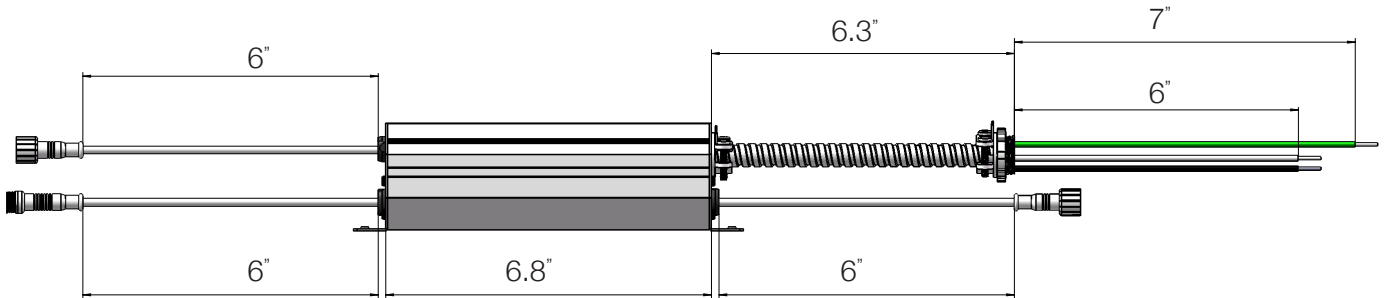
RAD25 SONIC 2.5

2.5" RECESSED LED DOWNLIGHT



EMERGENCY BACK UP DRIVER RAD25/35-EM

90 minute run time
See spec sheet for further information





RAD25 SONIC 2.5

2.5" RECESSED LED DOWNLIGHT

COMPATIBLE DIMMERS

LUTRON	LOAD (W)	LEVITON	LOAD (W)
SKYLARK CONTOUR LECL-153P	150W	ILLUMATEC IPL06	150W
SKYLARK CONTOUR CTCL-150H	150W	SURESLIDE 6672	150W
SKYLARK CONTOUR LGCL-153PLH	150W	SURESLIDE 6674	150W
SKYLARK CONTOUR CTCL-153P	150W		
SKYLARK CONTOUR SCL-153P	150W	EATON	
SKYLARK CONTOUR S-600P	600W	SMART DIMMER AAL06	300W
CASETA PD-6WCL	600W	PASS & SEYMOUR	
CASETA PD-5NE	150W	HARMONY DCL453PTCCCV6	150W
CASETA PD-10NXD	250W		
DIVA DVCL-153P	150W	GE	
TOGGLER TGCL-153P	150W	ROCKER 10464	150W
ARIADNI AYCL-153P	150W	TOGGLE 18027	150W
MAESTRO MACL-153M	150W		