



LEX

LEXLINE

LINEAR SERIES



The minimalistic silhouette of the Lexline showcases the modern design that elevates the new generation of lighting. The sleek aluminum body is available in White, Brushed Nickel, and Black finishes so that you may choose whichever aesthetic fits your desire. Each Lexline can be linked to create a continuous line of seamless illumination. Options for Emergency battery Backup and Motion sensor configuration are available as well. The Lexline is ETL, CETL and Energy star approved, with a 5 year warranty.

SPECIFICATIONS

Input Power	120-277V 60Hz	Beam Angle	170°
Efficacy	110lm/W	Lamp Life	50,000hr
Color Temperature	30K, 40K, 50K (CCT adj.)	Operating Temperature	-20°C ~ 40°C
Dimming	Non Dimmable/ 0-10	Certification	ETL/CETL
CRI	90	Linkable	Up to 600W
Environment	IP42	Body	Steel
Application	Surface/ Suspended	Lense Opacity	Frosted

ORDERING GUIDE

LEX - _____ - CCT - _____ - _____ - _____

Example: LEX-2-CCT-WT

Model	Length	Wattage	Lumens	Color Temp	Finish	Configuration	Driver
LEX	1FT	10W	1100lm	3000K	WT White	(EM)	(Leave blank) Non-Dim
	2FT	15W	1650lm		BK Black	Emergency Battery	
	3FT	25W	2750lm	4000K	BN Brushed Nickel	(MS)	Motion Sensor
	4FT	40W	4400lm	5000K		(EM+MS)	Emergency Battery and Motion Sensor
	6FT	45W	4950lm	(CCT Adj.)	(Leave blank)	No add on	
	8FT	60W	6600lm				

ACCESSORIES

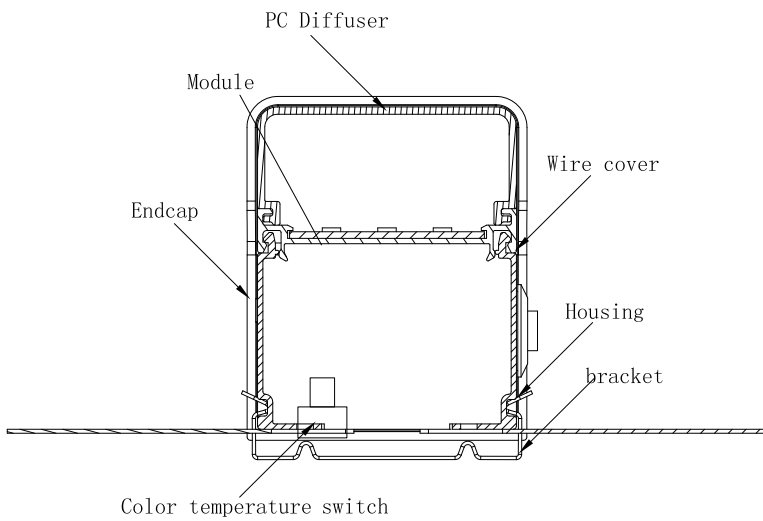
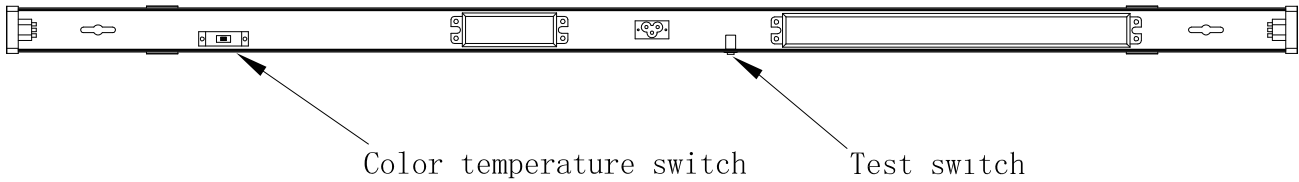
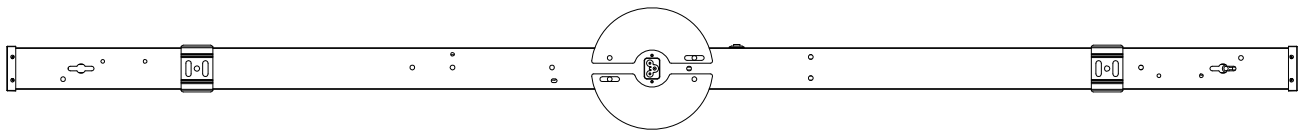
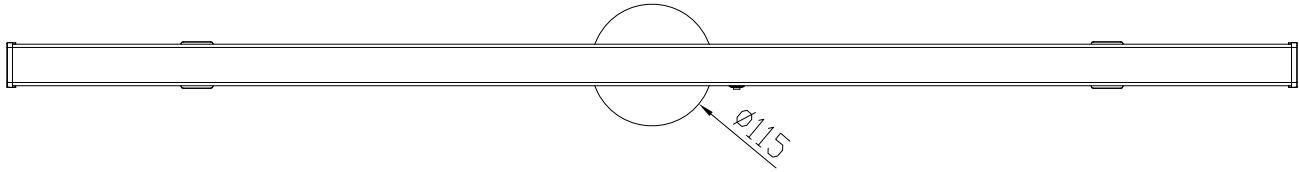
Model	Description
LEX-SK	4 FT Suspension Wire
LEX-1M-C	1 Meter Coupling Wire
LEX-2M-C	2 Meter Coupling Wire
LEX-3M-C	3 Meter Coupling Wire
LEX-1M-P	1 Meter Power Plug
LEX-2M-P	2 Meter Power Plug
LEX-3M-P	3 Meter Power Plug



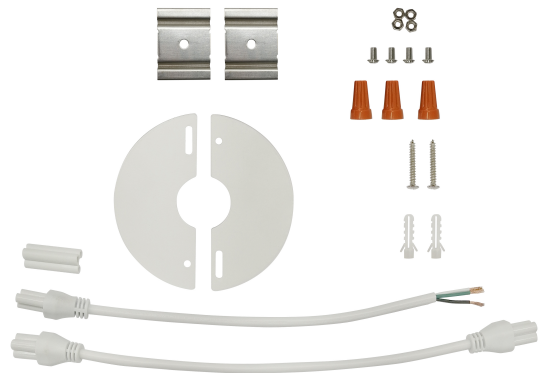
***QUICKSHIP CONFIGURATION - 2-8FT WHITE FINISH**



LEX LEXLINE LINEAR SERIES



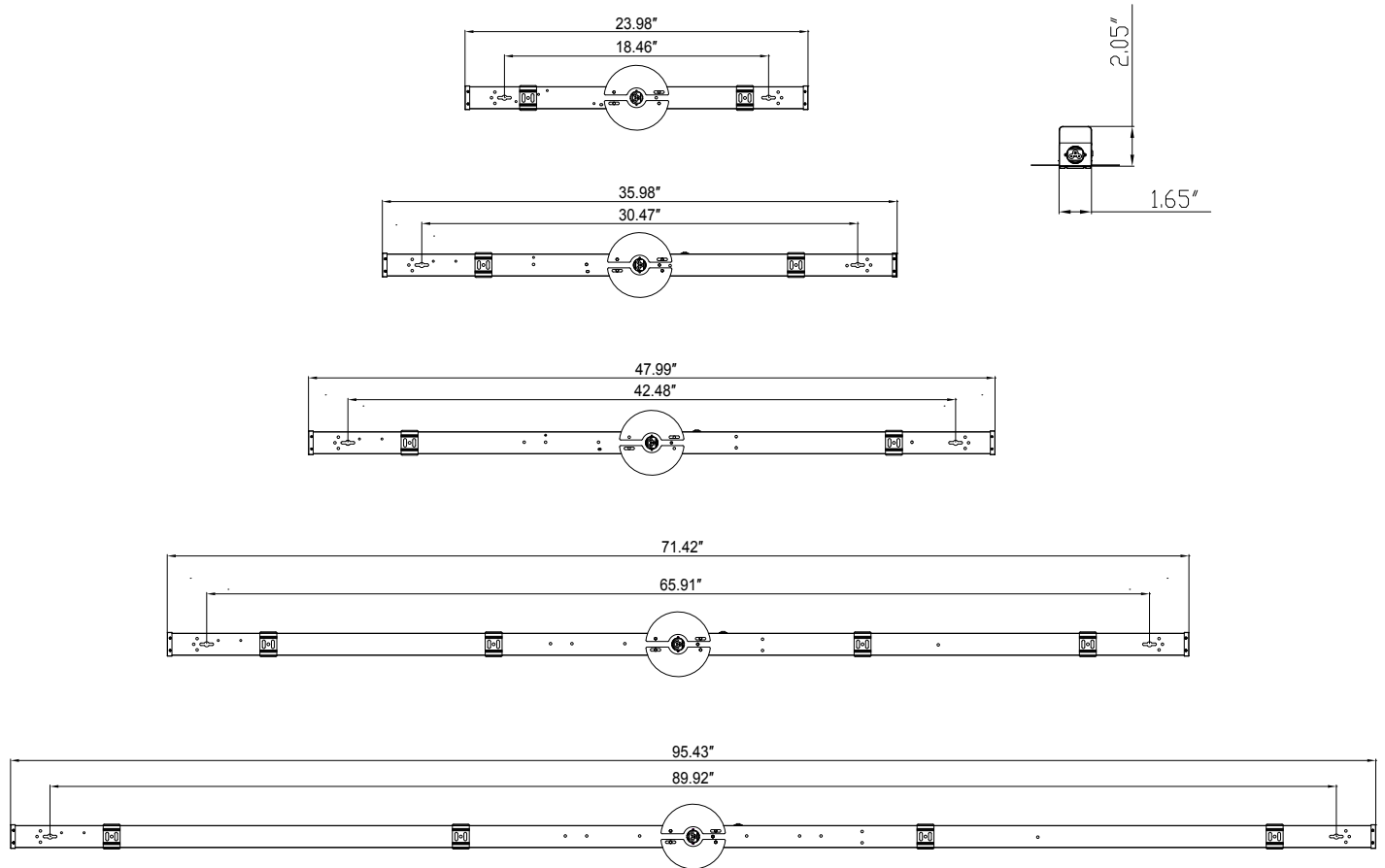
Accessories included





LEX
LEXLINE
LINEAR SERIES

Dimensions



PROJECT:

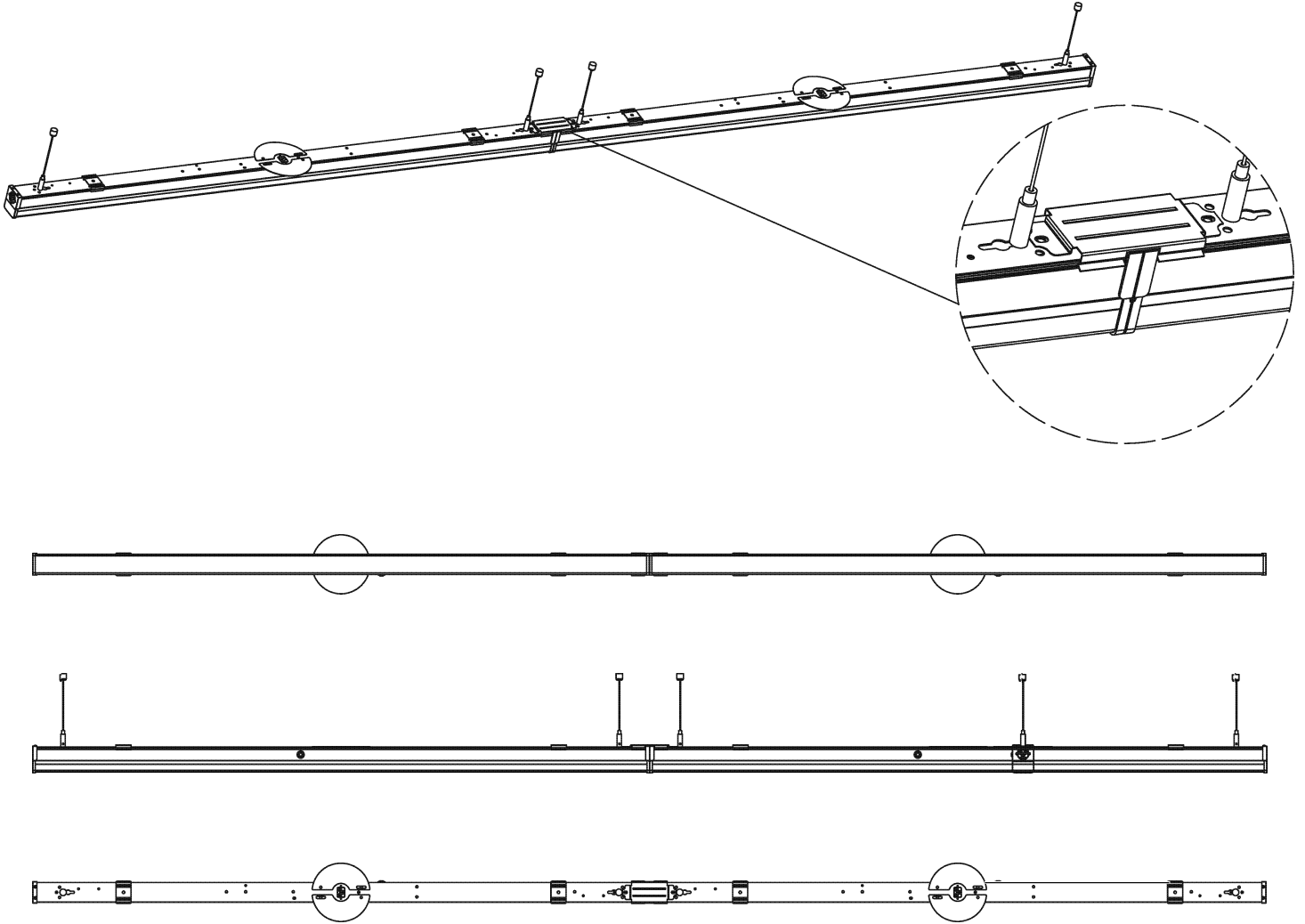
PREPARED BY:

TYPE:



LEX
LEXLINE
LINEAR SERIES

BRIDGE CONNECTOR





INSTALLATION INSTRUCTIONS

120-277V AC 50/60Hz

Safety Precautions

- Read all safety precautions and installation instructions carefully before installing or servicing this fixture. Failure to comply with these instructions could result in potentially fatal electric shock and/or property damage.
- It is recommended that a qualified electrician perform all wiring. This fixture must be wired in accordance with all national and local electrical codes.
- Do not handle any energized fixture or attempt to energize any fixture with wet hands or while standing on a wet or damp surface or in water.
- This fixture is designed for use in a 120-277V AC, 50/60Hz fused circuit. This fixture is compatible with non-dimmable circuit.
- To reduce the risk of electrical shock, and to assure proper operation, this fixture must be adequately grounded. To accomplish proper grounding, there must be a separate ground wire (green) contact between this fixture and the ground connection of your main power supply panel.
- This fixture is intended to be used for general outdoor lighting in dry, or damp locations.
- Disclaimer

Changes or modifications not expressly approved by the party responsible for compliance could void the user's authority to operate the equipment.

If this equipment does cause harmful interference to radio or television reception, which can be determined by turning the equipment off and on, the user is encouraged to try to correct the interference by one or more of the following measures:

- Reorient or relocate the receiver antenna.
- Increase the separation between the equipment and receiver.
- Connect the equipment into an outlet on a circuit different from that to which the receiver is connected.
- Consult with the dealer or an experienced radio/TV technician for help.

Any modifications to this fixture may void the warranty and interfere with the safe operation of the luminaire. Operating temperature: -25°C~40°C(-13°F~104°F)

Assembly Instructions

Step 1 – Preparing for installation

- Disconnect electrical power** at fuse or circuit breaker box before installing or servicing any part of this fixture.
- Carefully remove the fixture from the carton.
- Release the diffuser assembly (2) from the fixture (1) by depressing on the housing side and pull at the same time to disengage from the slots. Diffuser assembly is tethered to the fixture on both ends.
- Temporary disconnect the LED power cord by twisting counterclockwise and pull to separate connection then unclip both tether wires. Place diffuser assembly off to the side.
- Identify location of mounting the fixture relative to power source. If top is used for connection, remove knockout and temporary align holes to junction box (not provided), or connect supply power source wire and fixture housing(1) with connector(8). Using pencil to mark two locations using hole on the fixture as template for additional anchoring to the ceiling.
- Take the fixture down and punch a small hole into the ceiling at each marked location using a nail or awl to see if there is a joist. If there is a joist, use a wood screw (5) to mount the fixture housing. Where there is no joist to screw into, use drywall anchors (4) & (5) or toggle bolts (not provided) of suitable length to mount housing securely to the ceiling.

Step 2 – Mounting fixture

- Method A. Mount auxiliary mounting clip(6) to the ceiling using two screws(3) and two wood screws(5) to secure it. Align the housing(1) to auxiliary mounting clip(6) then squeeze the housing just enough until it is fully engaged into auxiliary mounting clip(6).
- Method B. Mount the fixture housing(1) to the ceiling using two screws(3) and two wood screws(5) to secure it while passing the supply wires into the opening of the housing.

Note: Fixture allows multiple connections, the maximum power available for linkage is **600W**. Connections(7) are provided.

Wiring – All wiring must take place inside junction box (not included)

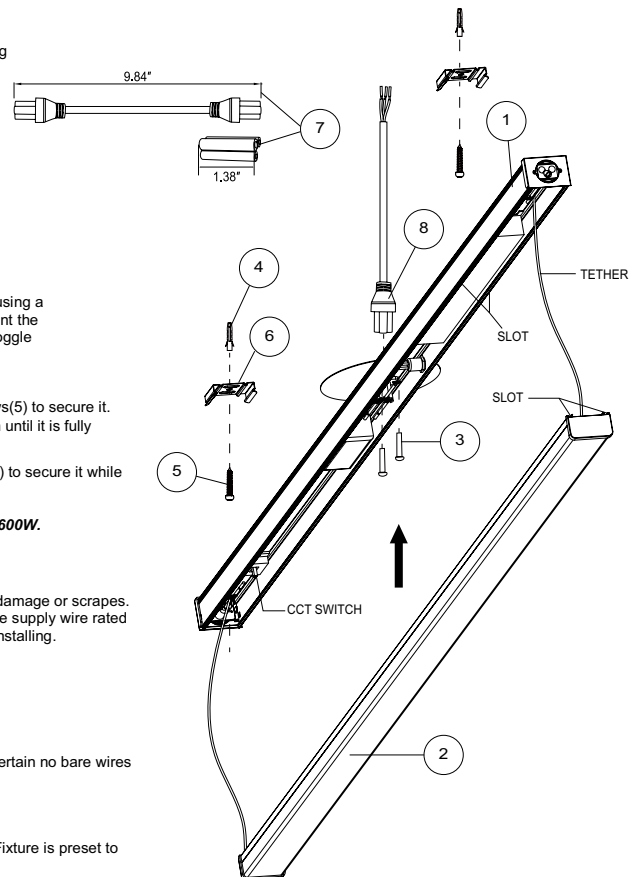
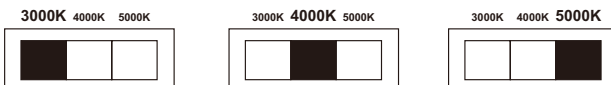
Caution: Make sure power is off at fuse or circuit breaker box. Check power wires for damage or scrapes. Use wire suitable for at least 90°C (194°F). **Note:** Most dwellings built before 1985 have supply wire rated to 60°C. Consult a qualified electrician ensure correct branch circuit conductor before installing.

Step 3 – Wiring fixture

- Make all wire connections to appropriate wire. Secure with wire nuts (provided).
- Connect the green wire from the fixture to the supply power source ground wire. Connect the black wire from the fixture to the black (L) wire from supply power source. Connect the white wire from the fixture to the white (N) wire from supply power source.
- Do not mix wires. Pull on each wire lead to make sure connections are secure. Make certain no bare wires are exposed outside of wire connectors.

Step 4 – Color changing temperature adjustment, CCT (if desired)

- Adjust CCT switch according to the desired color temperature as shown below. Note: Fixture is preset to 3000K from factory.



In the case of ensuring electricity safety, different or same size of this series of lamps can be combined installation.
View shown for reference only. Individual models may vary.