



POL

PARKLINE OVERBED LIGHT

HOSPITALITY SERIES

INSTALLATION INSTRUCTIONS

Safety Precautions

- Read all safety precautions and installation instructions carefully before installing or servicing this fixture. Failure to comply with these instructions could result in potentially fatal electric shock and/or property damage.
 - It is recommended that a qualified electrician perform all wiring. This fixture must be wired in accordance with all national and local electrical codes.
 - Do not handle any energized fixture or attempt to energize any fixture with wet hands or while standing on a wet or damp surface or in water.
 - This fixture is designed for use in a 120V AC, 60Hz fused circuit. This fixture is compatible with non-dimmable circuit.
 - To reduce the risk of electrical shock, and to assure proper operation, this fixture must be adequately grounded. To accomplish proper grounding, there must be a separate ground wire (green) contact between this fixture and the ground connection of your main power supply panel.
 - This fixture is intended to be used for general outdoor lighting in dry, or damp locations.
 - Disclaimer:
Changes or modifications not expressly approved by the party responsible for compliance could void the user's authority to operate the equipment.
If this equipment does cause harmful interference to radio or television reception, which can be determined by turning the equipment off and on, the user is encouraged to try to correct the interference by one or more of the following measures:
 - Reorient or relocate the receiver antenna.
 - Increase the separation between the equipment and receiver.
 - Connect the equipment into an outlet on a circuit different from that to which the receiver is connected.
 - Consult with the dealer or an experienced radio/TV technician for help.
- Any modifications to this fixture may void the warranty and interfere with the safe operation of the luminaire. Operating temperature: -25°C~40°C(-13°F~104°F)

Assembly Instructions

Step 1 – Preparing for installation

- Disconnect electrical power** at fuse or circuit breaker box before installing or servicing any part of this fixture.
- Carefully remove the fixture from the carton, remove components from hardware kit.
- Remove mounting bracket (1) from the fixture (3) by removing four side screws (4).
- Identify location of mounting the fixture relative to power source. Use pencil to mark two locations using slots (8) or (9) on the fixture(3) as template for additional anchoring to the wall.
- If there is a joist, use a wood screw (7) to mount the fixture(3). Where there is no joist to screw into, use drywall anchors (6) & (7) to mount housing securely to the wall.
- Align the slots on the mounting bracket (1) with the screws on the wall, and then drag the mounting bracket (1) to the right or down to hang it on the wall.
- Install mounting bracket (1) to junction box (not provided) using two screws (2) to secure it.

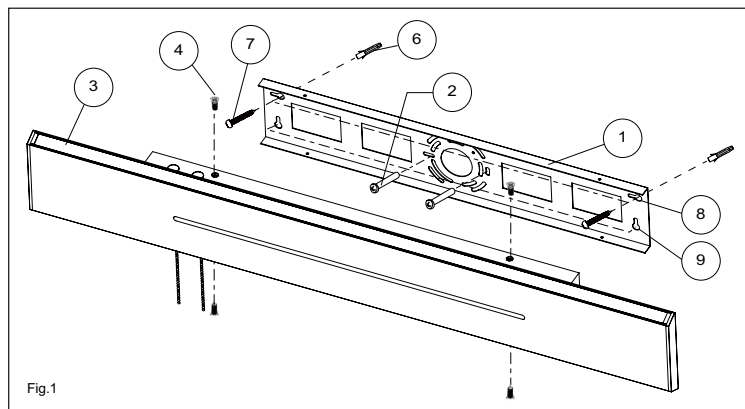


Fig.1

Step 2 – Wiring fixture

Wiring – All wiring must take place inside junction box (not included)

Caution: Make sure power is off at fuse or circuit breaker box. Check power wires for damage or scrapes. If power supply wires are within three inches of the LED driver, use wire suitable for at least 90°C (194°F).
Note: Most dwellings built before 1985 have supply wire rated to 60°C. Consult a qualified electrician to ensure correct branch circuit conductor before installing.

- Make all wire connections to appropriate wire. Secure with wire nuts (provided).
- Connect the green wire from the fixture to the supply power source ground wire.
- Connect the white wire from the fixture to the white (N) wire from supply power source. Connect the black wire from the fixture to the black (L) wire from supply power source.
- Do not mix wires.** Pull on each wire lead to make sure connections are secure. Make certain no bare wires are exposed outside of wire connectors. Tuck all connections neatly into the junction box.

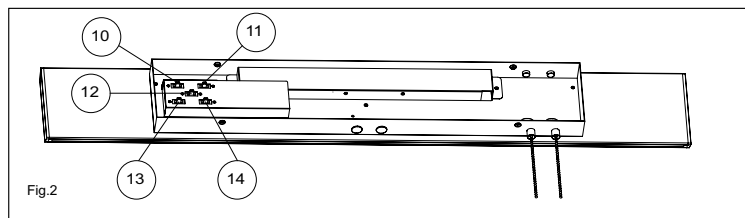


Fig.2

Step 3 – Mounting fixture

- Adjust CCT switch (10) according to the desired color temperature 4000K, 3500K, 3000K, it is used to control the color temperature of the top lamp. (in figure.2)
- Adjust Power switch(11) according to the desired power 30W, 20W,10W, it is used to control the color temperature of the top lamp. (in figure.2).
- Adjust CCT switch (12) according to the desired color temperature 4000K, 3500K, 3000K, it is used to control the color temperature of the mid lamp. (in figure.2).
- Adjust CCT switch (13) according to the desired color temperature 4000K, 3500K, 3000K, it is used to control the color temperature of the bottom lamp. (in figure.2).
- Adjust Power switch(14) according to the desired power 30W, 20W,10W, it is used to control the color temperature of the bottom lamp. (in figure.2).
- Install fixture (3) by aligning top and bottom side holes over the mounting bracket (1) then using four screws (4) to secure it. (in figure.1)

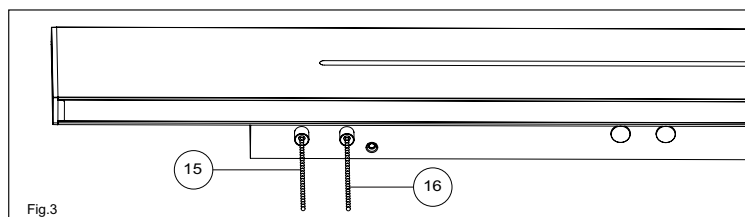


Fig.3

View shown for reference only. Individual models may vary.

Step 4 – Restore power at fuse or circuit breaker box

- Pull chain switch(15):
Pull and click once, the top lamp on;
Pull and click twice, the bottom lamp on;
Pull and click three times, the top and bottom lamp all on;
Pull and click four times, the top and bottom lamp all off. (in figure.3)
- Pull chain switch(16):
Pull and click once, the mid lamp on;
Pull and click once, the mid lamp off. (in figure.3)

