



# RAD25

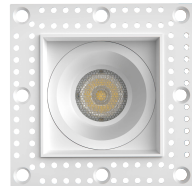
## SONIC 2.5 TRIMLESS

### 2.5" RECESSED LED DOWNLIGHT

9W



14W



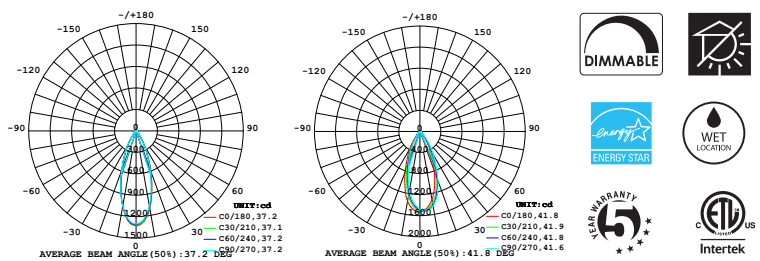
### FEATURES

- Air-tight and wet location approved
- Type ic rated - approved for direct contact with insulation
- Downlight housing is not required for insulated ceilings
- Quick connect wire allows for efficient installation
- Isolated driver inside junction box
- New construction plate available (NCH250)
- Optional Emergency Backup
- 5 year warranty

### SPECIFICATIONS

Input Voltage	120 or 277V AC
Wattage	9/14W
Lumen	800/1100lm
Efficacy(LPW)	>82 lm/W
Color Temp	27K, 30K, 35K, 40K, 50K (CCT adj.)
CRI	>90
Beam Angle	24°/38°/50°
Dimming	Triac or 0-10V (with 277V driver)
Lamp Life	50,000hr
Environment	IP65 Wet Location
Material	Aluminum Body with Anodized Heat Sink
Operating Temp	-4°F - 104°F
Cut out	2.36 inches

### LUMINOUS INTENSITY DISTRIBUTION DIAGRAM



### ORDERING GUIDE

**RAD25TMS-** - - - - - *Example: RAD25R-9-CCT-120-15-WT-EM*

TRIM	Wattage	Color Temperature	Input Voltage	Beam Angle	Trim Finish	EM
RAD25TMS-R (Trimless Round)	9 (800lm)	CCT adj.	120 (Triac Dim)	24°	WT White	EM
RAD25TMS-S (Trimless Square)	14 (1100lm)	(27K, 30K, 35K, 40K, 50K)	277 (0-10V Dim)	38°	BK Black	
		3000K		50°	BN Brushed Nickel	
		3500K			GD Gold	
		4000K			BZ Bronze	
					CP Copper	

**\*QUICKSHIP CONFIGURATION - 120V 38 DEGREE BEAM ANGLE**



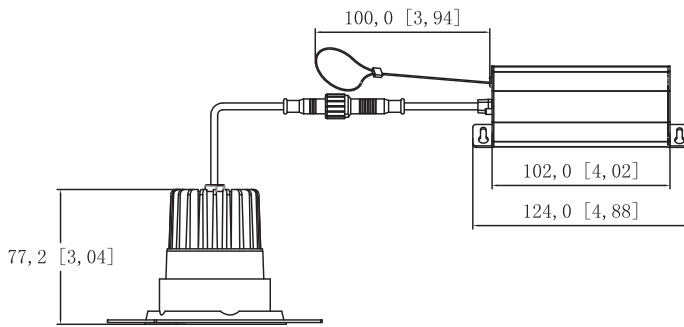
# RAD25

## SONIC 2.5 TRIMLESS

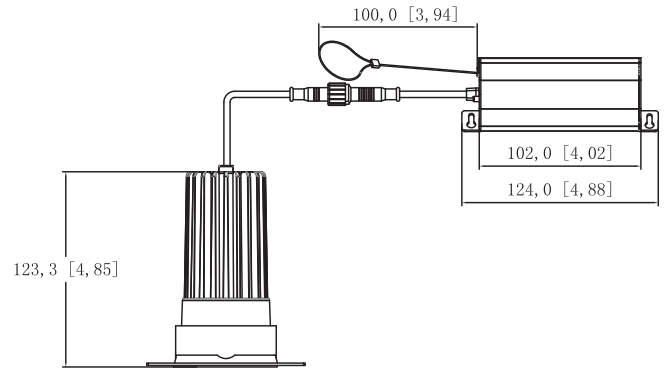
2.5" TRIMLESS DOWNLIGHT

### DIMENSIONS

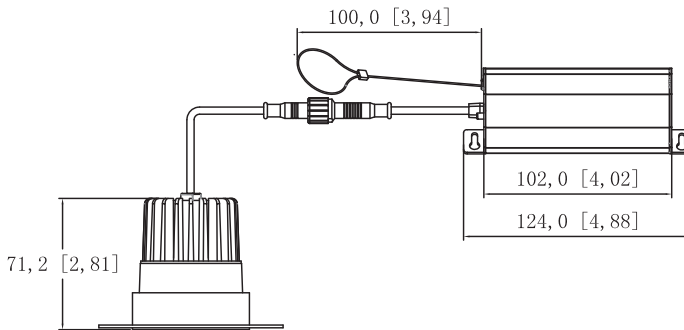
#### 9W TRIMLESS SQUARE



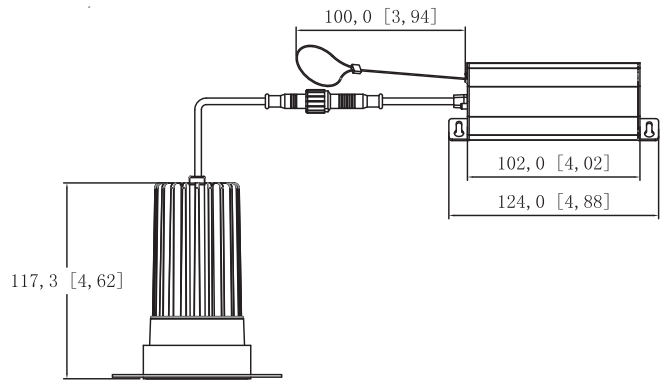
#### 14W TRIMLESS SQUARE



#### 9W TRIMLESS ROUND



#### 14W TRIMLESS ROUND



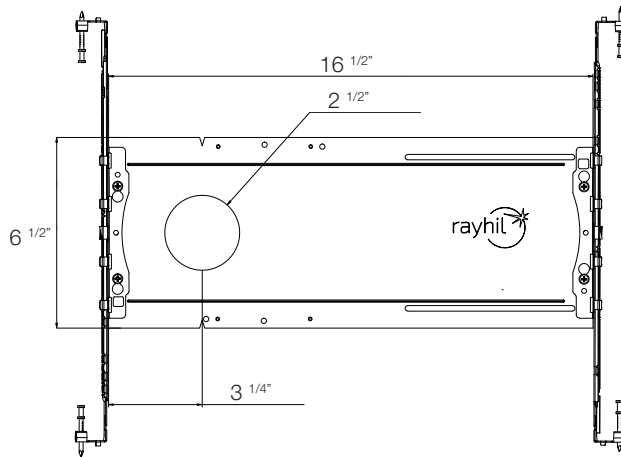


# RAD25

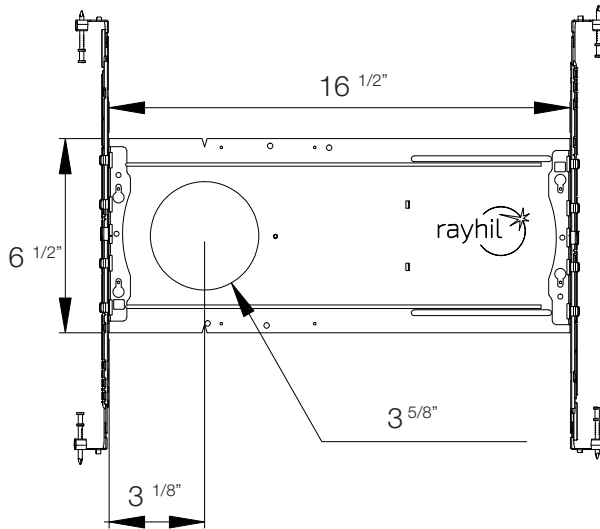
## SONIC 2.5 TRIMLESS

### 2.5" RECESSED LED DOWNLIGHT

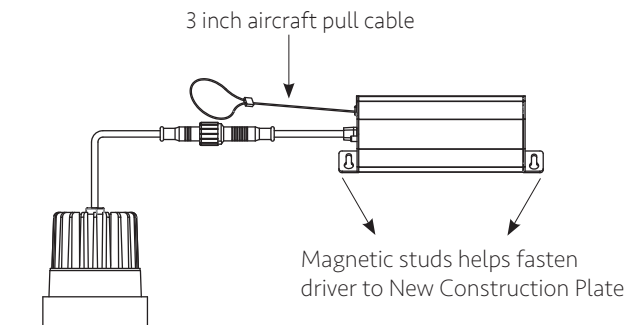
#### ACCESSORIES / OPTIONS



**Round Trim Compatible**  
**NEW CONSTRUCTION MOUNTING PLATE**  
**NCH250**  
 Constructed out of galvanized steel  
 Magnetic plate and driver facilitate easy and secure placement  
 Adjustable Hanger Bars up to 24"



**Square Trim Compatible**  
**NEW CONSTRUCTION MOUNTING PLATE**  
**NCH350**  
 Constructed out of galvanized steel  
 Magnetic plate and driver facilitate easy and secure placement  
 Adjustable Hanger Bars up to 24"

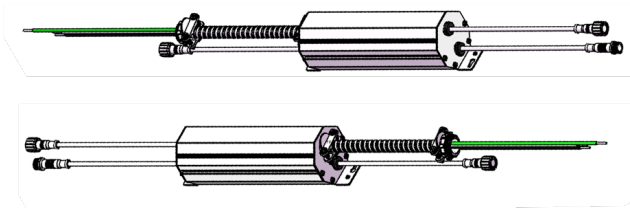




# RAD25

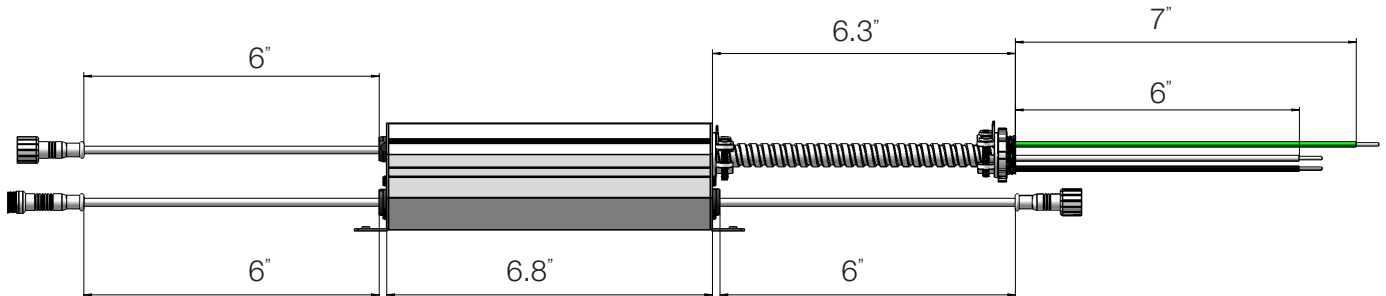
## SONIC 2.5 TRIMLESS

2.5" RECESSED LED DOWNLIGHT



### EMERGENCY BACK UP DRIVER RAD25/35-EM

90 minute run time  
See spec sheet for further information





# RAD25

## SONIC 2.5 TRIMLESS

### 2.5" RECESSED LED DOWNLIGHT

#### COMPATIBLE DIMMERS

<b>LUTRON</b>	LOAD (W)
SKYLARK CONTOUR LECL-153P	150W
SKYLARK CONTOUR CTCL-150H	150W
SKYLARK CONTOUR LGCL-153PLH	150W
SKYLARK CONTOUR CTCL-153P	150W
SKYLARK CONTOUR SCL-153P	150W
SKYLARK CONTOUR S-600P	600W
CASETA PD-6WCL	600W
CASETA PD-5NE	150W
CASETA PD-10NXD	250W
DIVA DVCL-153P	150W
TOGGLER TGCL-153P	150W
ARIADNI AYCL-153P	150W
MAESTRO MACL-153M	150W

<b>LEVITON</b>	LOAD (W)
ILLUMATEC IPL06	150W
SURESLIDE 6672	150W
SURESLIDE 6674	150W
<b>EATON</b>	
SMART DIMMER AAL06	300W
<b>PASS &amp; SEYMOUR</b>	
HARMONY DCL453PTCCCV6	150W
<b>GE</b>	
ROCKER 10464	150W
TOGGLE 18027	150W