



RAD2H

SONIC MULTIPLE SERIES

2 HEAD RECESSED LED DOWNLIGHT



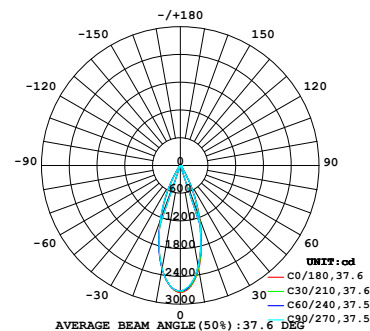
FEATURES

- Air-tight and damp location approved
- Type IC rated - approved for direct contact with insulation
- Isolated driver inside junction box
- New Construction plate available (NCH2H)
- Extruded aluminum heat sink ensures optimal heat dissipation and LED life
- 360° rotatable Gimbal with 30° horizontal tilt

SPECIFICATIONS

Input Voltage	120 or 277V AC
Wattage	12W x 2
Lumen	1750lm
Efficacy(LPW)	>75 lm/W
Color Temp	27K, 30K, 35K, 40K, 50K (CCT Adj.)
CRI	>90
Beam Angle	15°/24°/38°
Dimming	Triac/ 0-10V
Lamp Life	50,000hr
Environment	Damp Location
Material	Aluminum Body with Anodized Heat Sink
Operating Temp	-4°F - 104°F
Cut out	7 1/2" x 3 3/4"

LUMINOUS INTENSITY DISTRIBUTION DIAGRAM



ORDERING GUIDE

RAD-2H- 12 -

Example: RAD-2H-12-CCT-120-15-WT-EM

TRIM	Wattage	Color Temperature	Input Voltage	Beam Angle	Trim Finish	EM
RAD2H	12 (1750lm)	5 CCT Adj. (27K, 30K, 35K, 40K, 50K) 3000K 3500K 4000K	120 277	15° 24° 38°	WT White BK Black	EM

***QUICKSHIP CONFIGURATION - 120V 38 DEGREE BEAM ANGLE**



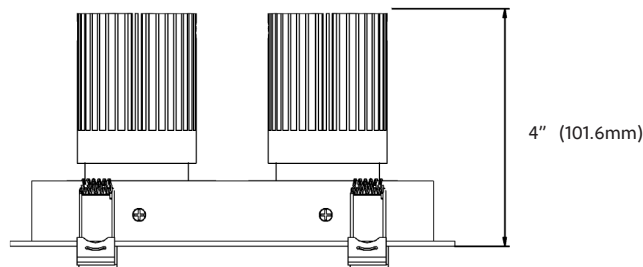
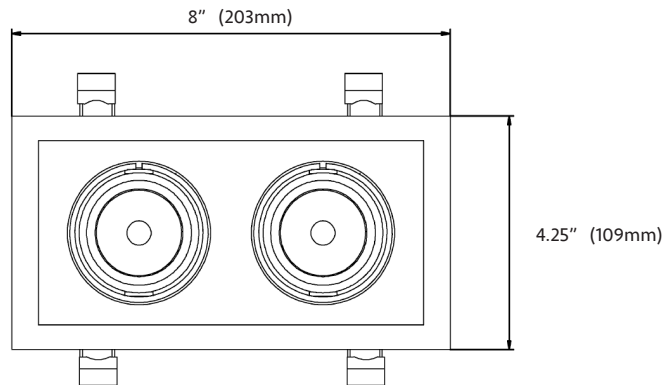
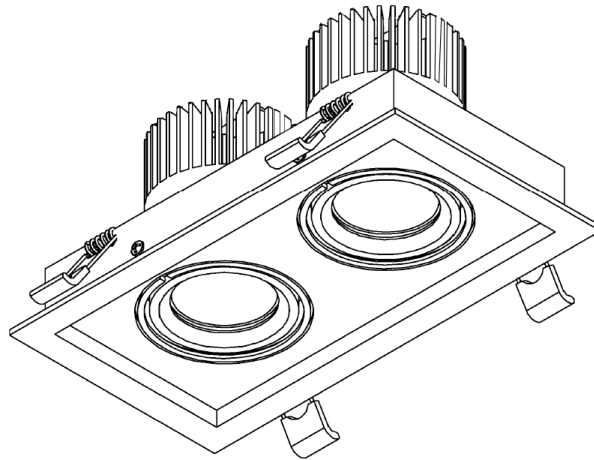


RAD2H

SONIC MULTIPLE SERIES

2 HEAD RECESSED LED DOWNLIGHT

DIMENSIONS



PROJECT:

PREPARED BY:

TYPE:



RAD2H

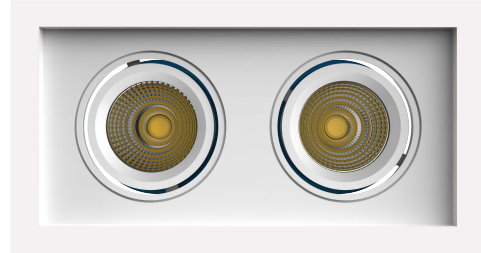
SONIC MULTIPLE SERIES

2 HEAD RECESSED LED DOWNLIGHT

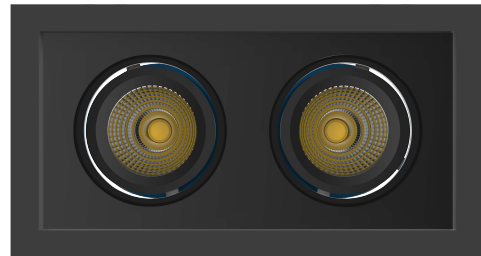
TRIM FINISH OPTIONS

White
Black

WT
BK



Existing Trim



RAD2H-BK

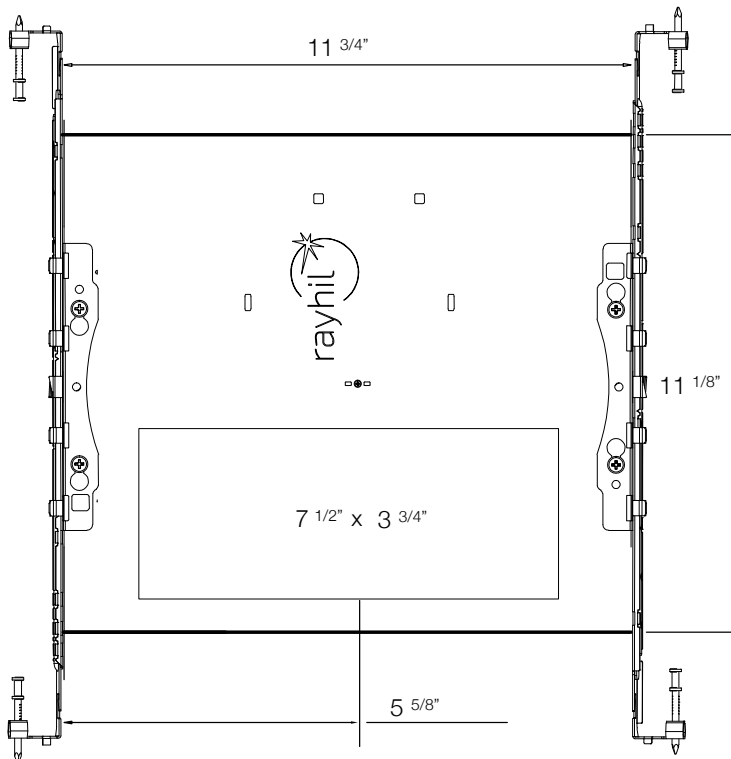


RAD2H

SONIC MULTIPLE SERIES

2 HEAD RECESSED LED DOWNLIGHT

ACCESSORIES / OPTIONS



NEW CONSTRUCTION MOUNTING PLATE NCH2H

Constructed out of galvanized steel

Magnetic plate and driver facilitate easy and secure placement

Adjustable Hanger Bars up to 24"



RAD2H

SONIC MULTIPLE SERIES

2 HEAD RECESSED LED DOWNLIGHT

COMPATIBLE DIMMERS

LUTRON	LOAD (W)	LEVITON	LOAD (W)
SKYLARK CONTOUR LECL-153P	150W	ILLUMATEC IPL06	150W
SKYLARK CONTOUR CTCL-150H	150W	SURESLIDE 6672	150W
SKYLARK CONTOUR LGCL-153PLH	150W	SURESLIDE 6674	150W
SKYLARK CONTOUR CTCL-153P	150W		
SKYLARK CONTOUR SCL-153P	150W	EATON	
SKYLARK CONTOUR S-600P	600W	SMART DIMMER AAL06	300W
CASETA PD-6WCL	600W		
CASETA PD-5NE	150W	PASS & SEYMOUR	
CASETA PD-10NXD	250W	HARMONY DCL453PTCCCV6	150W
DIVA DVCL-153P	150W		
TOGLER TGCL-153P	150W	GE	
ARIADNI AYCL-153P	150W	ROCKER 10464	150W
MAESTRO MACL-153M	150W	TOGGLE 18027	150W