

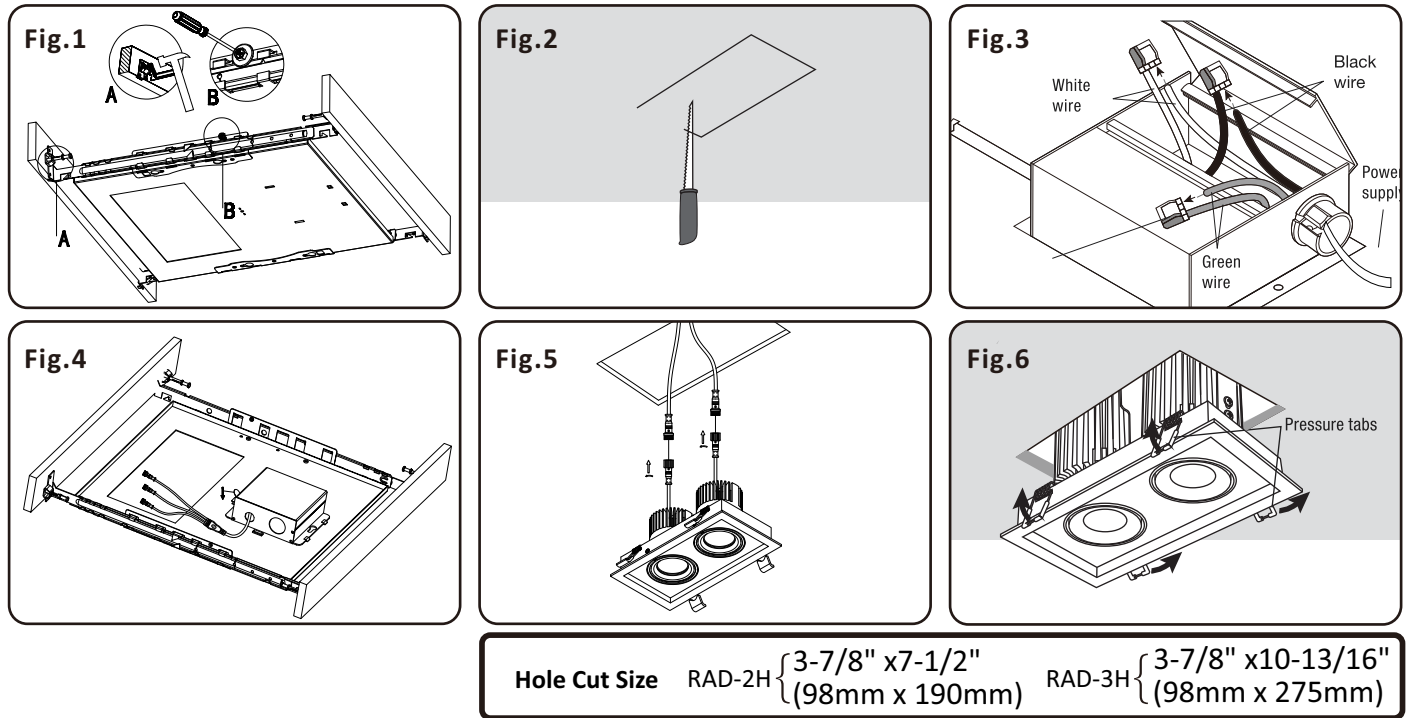
MULTIPLE RECESSED LED DOWNLIGHT INSTALLATION INSTRUCTIONS

IMPORTANT: Read all instructions before installing fixture. Retain for future reference.

SAFETY:

1. This fixture must be wired in accordance with local electrical and ordinances.
2. To prevent wiring damage or abrasion, do not expose wiring to edges of sheet metal or other sharp objects.
3. All work should be done by a qualified electrician.

WARNING: Make certain power is OFF from the electrical panel before starting installation or attempting any maintenance.



INSTALLATION FOR MULTIPLE RECESSED LED DOWNLIGHT

1. Measure distance from walls and mark position of housing to be installed between joists.
2. Extend the hanger bars and level to lower edge of joists. Hammer pre-installed nails into all the joists (both sides)(FIG.1).
3. Carefully open a hole in accordance to the cut-hole dimensions with keyhole saw (refer to the provided cut hole size)(FIG.2).
4. Provide electrical service according to your local electrical code for a suitable junction box. Supply wire insulation must be rated for at least 90° C.
5. Remove the junction box cover. Remove the appropriate knock-out(s) to accommodate the type of electrical service to be used.
6. Insert electrical supply cable through knock-out in the junction box. Wire junction box using supplied quick connect push-in terminals. Connect green ground wire of cable to green wire on junction box. Connect white wire of cable to white wire of junction box. Connect black wire of cable to black wire of junction box. Make certain there are no exposed strands of wire and place all wiring and connections back in junction box and replace the cover. (FIG.3).
7. Firmly secure the junction box to the mounting plate(FIG.4).
8. Connect the fixture to the junction box by inserting and twisting the DC male/female connectors(FIG.5).
9. Push the pressure tabs upward towards the LED fixture. Push the fixture through the hole until the trim is flush with the ceiling. Pressure tabs will retract to hole in place(FIG.6).
10. Once assembly is complete, turn on power to confirm the fixture is working properly.