



RAD35 SONIC 3.5

3.5" RECESSED LED DOWNLIGHT



FEATURES

- Air-tight and wet location approved
- Type IC rated - approved for direct contact with insulation
- Downlight housing is not required for insulated ceilings
- Quick connect wire allows for efficient installation
- Isolated driver inside junction box
- New construction plate available (NCH3526)
- Optional Emergency Backup
- 5 Year Warranty

SPECIFICATIONS

Wattage	15W	Dimming	5% - 100% Triac & 0-10V
Lumens (Delivered)	1250LM	Environment	IP65 Wet Location
Input Voltage	120-277V	Material	Aluminum Body with Anodized Heat Sink
CCT	5CCT Select / 1800K - 3000K Dim to Warm	Operating Temperature	-4°F - 104°F
Efficacy	>82LM/W	Lamp Life	50,000 hrs
CRI	>90	Cut Out	3.5"
Beam Angle	15°/24°/36°/50°		





RAD35 SONIC 3.5

3.5" RECESSED LED DOWNLIGHT

ORDERING GUIDE

RAD35 - _____ - 15 - _____ - UNV - _____ - _____ - _____ - _____ - _____ - _____

Example: RAD35-R-15-CCT-UNV-15-C-HX-PH-WT-EM-CP

Model	Wattage	Color Temperature	Input Voltage	Beam Angle	Optics
RAD35-R (Round) RAD35-S (Square)	15 15W (1250LM)	CCT CCT Adj. (27K, 30K, 35K 40K, 50K) DTW 1800K - 3000K (Dim to Warm)	UNV 120-277V (5%-100% Triac & 0-10V)	15 15° 24 24° 36 36° 50 50°	C Clear Reflector F Frosted Lens
Media	Aperture	Trim Finish	EM	Protection	
HX Hex Louver SL Solite	Standard (Leave Blank) PH Pinhole EX Extension Plate 5°	WT White BK Black BN Brushed Nickel GD Gold CP Copper	None (Leave Blank) EM EM Battery	None (Leave Blank) CP Chicago Plenum	

NEW CONSTRUCTION HOUSING

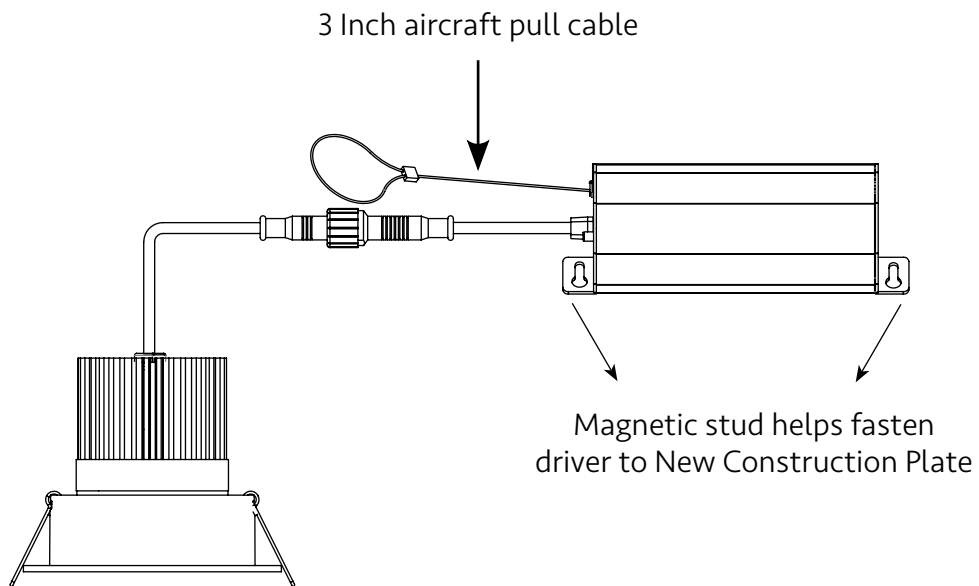
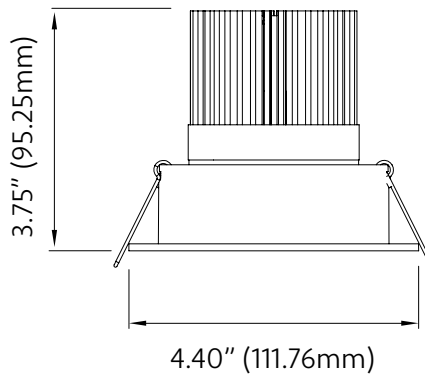
Model	Description
NCH3526	New Construction Housing Plate



RAD35 SONIC 3.5

3.5" RECESSED LED DOWNLIGHT

DIMENSIONS





RAD35 SONIC 3.5

3.5" RECESSED LED DOWNLIGHT

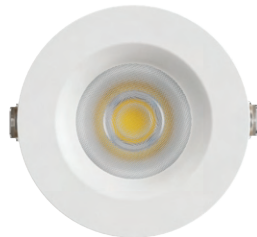
Standard Optic



Hex Louver Lens



Frosted Lens

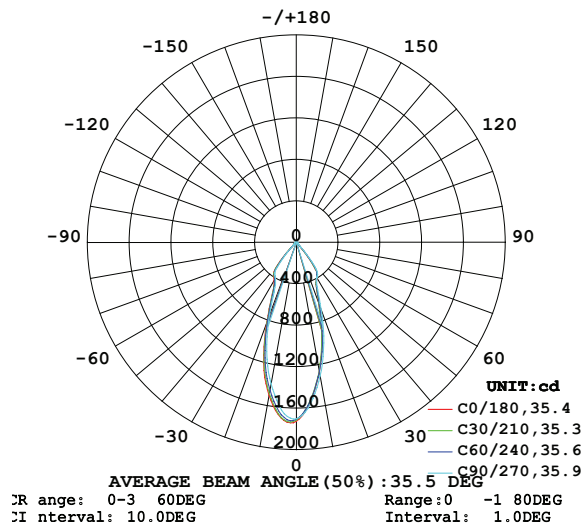




RAD35 SONIC 3.5

3.5" RECESSED LED DOWNLIGHT

LUMINOUS INTENSITY DISTRIBUTION DIAGRAM





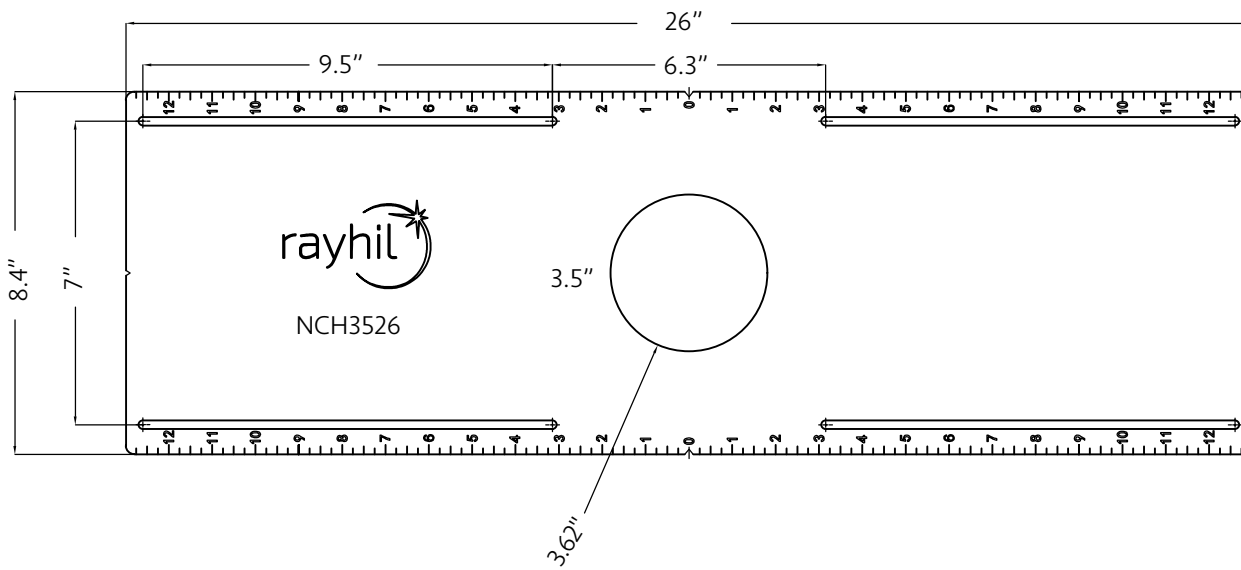
RAD35 SONIC 3.5

3.5" RECESSED LED DOWNLIGHT

ACCESSORIES

NEW CONSTRUCTION MOUNTING PLATE NCH3526

- Constructed out of galvanized steel
- Magnetic plate and driver facilitate easy and secure placement





RAD35 SONIC 3.5

3.5" RECESSED LED DOWNLIGHT

TRIM COLOR OPTION

White	WT
Black	BK
Brushed Nickel	BN
Gold	GD
Bronze	BZ
Copper	CP



Existing Trim



RAD35R-BK



RAD35R-BN



RAD35R-GD



RAD35R-BZ



RAD35R-CP



Existing Trim



RAD35S-BK



RAD35S-BN



RAD35S-GD



RAD35S-BZ

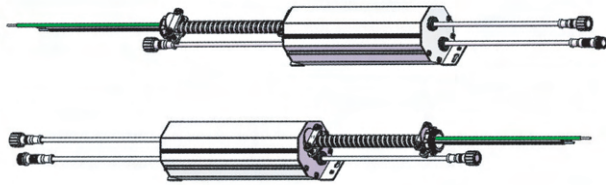


RAD35S-CP



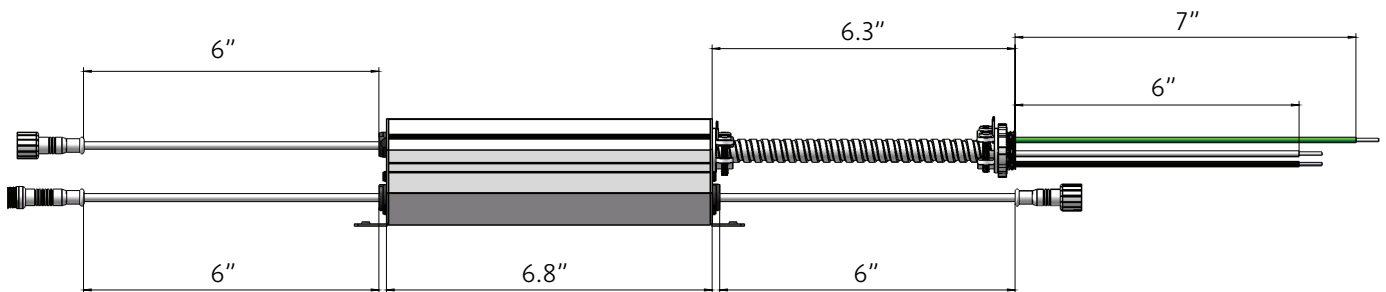
RAD35 SONIC 3.5

3.5" RECESSED LED DOWNLIGHT



EMERGENCY BACK UP DRIVER
RAD25/35-EM

90 minute run time
See spec sheet for further information





RAD35 SONIC 3.5

3.5" RECESSED LED DOWNLIGHT

COMPATIBLE DIMMERS

LUTRON	LOAD (W)
SKYLARK CONTOUR LECL-153P	150W
SKYLARK CONTOUR CTCL-150H	150W
SKYLARK CONTOUR LGCL-153PLH	150W
SKYLARK CONTOUR CTCL-153P	150W
SKYLARK CONTOUR SCL-153P	150W
SKYLARK CONTOUR S-600P	600W
CASETA PD-6WCL	600W
CASETA PD-5NE	150W
CASETA PD-10NXD	250W
DIVA DVCL-153P	150W
TOGLER TGGL-153P	150W
ARIADNI AYCL-153P	150W
MAESTRO MACL-153M	150W

LUTRON	LOAD (W)
ILLUMATEC IPL06	150W
SURESLIDE 6672	150W
SURESLIDE 6674	150W

EATON	LOAD (W)
SMART DIMMER AAL06	300W

PASS & SEYMOUR	LOAD (W)
HARMONY DCL453PTCCCV6	150W

GE	LOAD (W)
ROCKER 10464	150W
TOGGLE 18027	150W