



RAD35

SONIC 3.5 TRIMLESS

3.5" RECESSED LED DOWNLIGHT



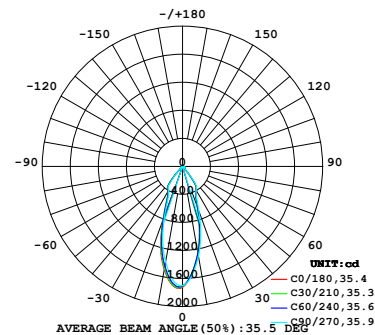
FEATURES

Air-tight and wet location approved
 Type ic rated - approved for direct contact with insulation
 Downlight housing is not required even for insulated ceilings
 Quick connect wire allows for efficient installation Isolated
 Universal Driver inside junction box
 New construction plate available (NCH350) Optional
 Emergency Backup
 5 year warranty

SPECIFICATIONS

Input Voltage	120 - 277V AC
Wattage	15W
Lumen	1250lm
Efficacy(LPW)	>82 lm/W
Color Temp	27K, 30K, 35K, 40K, 50K (CCT adj.)
CRI	>90
Beam Angle	24° / 36° / 50°
Dimming	Triac & 0-10V
Lamp Life	50,000hr
Environment	IP65 Wet Location
Material	Aluminum Body with Anodized Heat Sink
Operating Temp	-4°F - 104°F
Cut out	3.74 inches

LUMINOUS INTENSITY DISTRIBUTION DIAGRAM



ORDERING GUIDE

RAD35TMS - R - 15 - UNV - _____ - _____ - _____

Example: RAD35R-15-CCT-120-24C-WT-EM

Trim	Wattage	Color Temperature	Input Voltage	Beam Angle	Lense	EM
RAD35TMS-R	15 (1250lm)	CCT Adj. (27K, 30K, 35K, 40K, 50K) 3000K 3500K 4000K	UNV 120-277V	24° 36° 50°	C Clear F Frosted	EM

***QUICKSHIP CONFIGURATION - 120V 36 DEGREE BEAM ANGLE CLEAR LENSE**

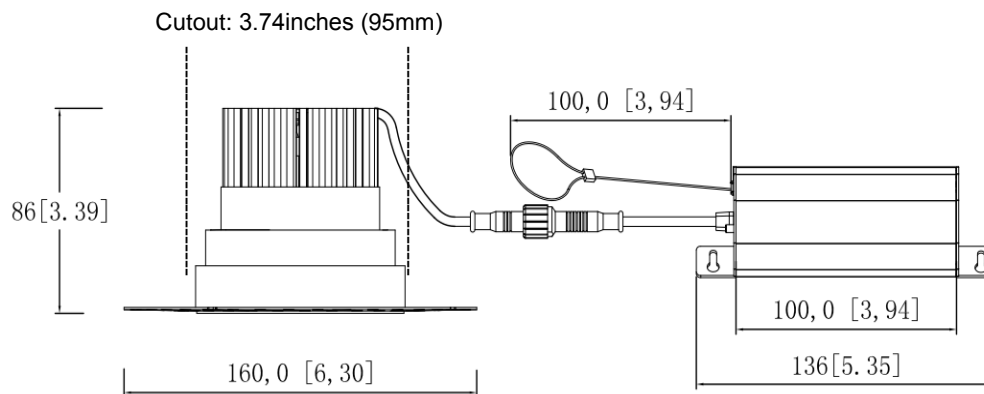
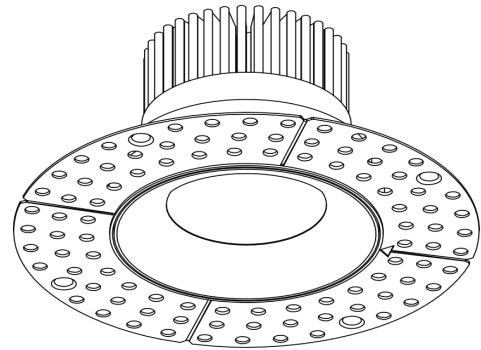
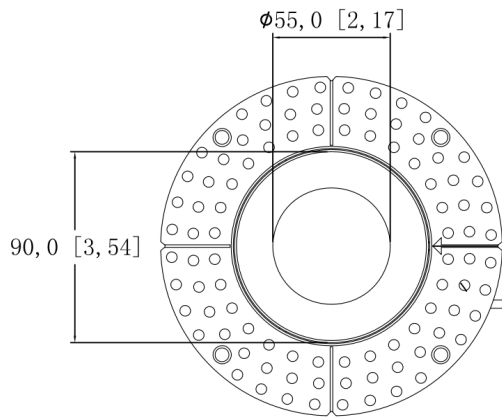


RAD35

SONIC 3.5 TRIMLESS

3.5" TRIMLESS DOWNLIGHT

DIMENSIONS



ADDITIONAL INFORMATION

- Compatible with LB15150
- White Finish ONLY

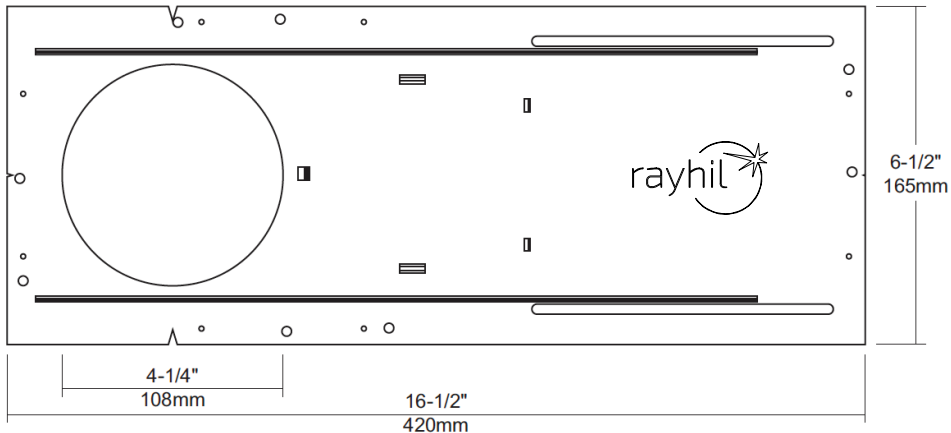


RAD35

SONIC 3.5 TRIMLESS

3.5" RECESSED LED DOWNLIGHT

ACCESSORIES / OPTIONS



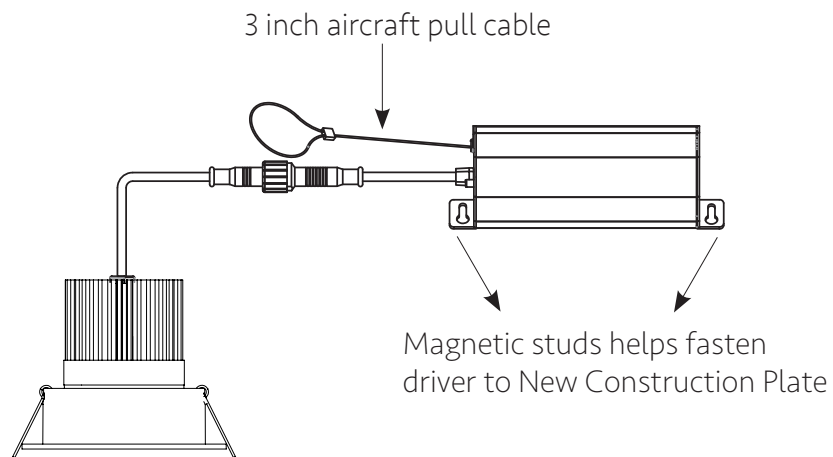
NEW CONSTRUCTION MOUNTING PLATE

LB15150

Constructed out of galvanized steel

Magnetic plate and driver facilitate easy and secure placement

Adjustable Hanger Bars up to 24"





RAD35 SONIC 3.5

3.5" RECESSED LED DOWNLIGHT

FROSTED LENS OPTIONS





RAD35

SONIC 3.5 TRIMLESS

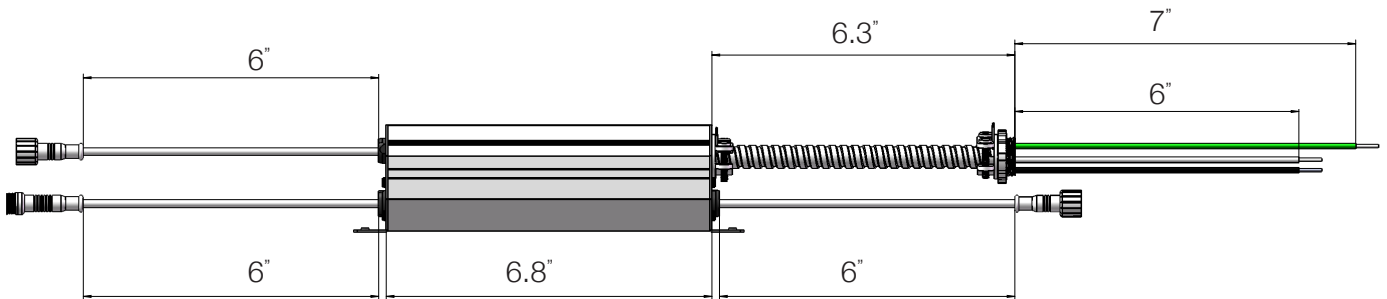
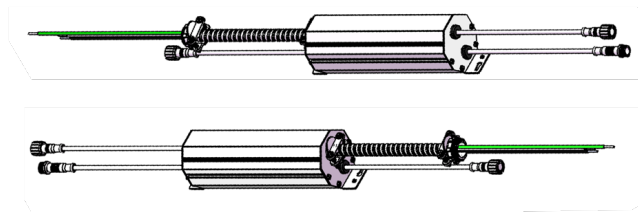
3.5" RECESSED LED DOWNLIGHT

EMERGENCY BACK UP DRIVER

RAD25/35-EM

90 minute run time

See spec sheet for further information





RAD35

SONIC 3.5 TRIMLESS

3.5" RECESSED LED DOWNLIGHT

COMPATIBLE DIMMERS

LUTRON	LOAD (W)
SKYLARK CONTOUR LECL-153P	150W
SKYLARK CONTOUR CTCL-150H	150W
SKYLARK CONTOUR LGCL-153PLH	150W
SKYLARK CONTOUR CTCL-153P	150W
SKYLARK CONTOUR SCL-153P	150W
SKYLARK CONTOUR S-600P	600W
CASETA PD-6WCL	600W
CASETA PD-5NE	150W
CASETA PD-10NXD	250W
DIVA DVCL-153P	150W
TOGLER TGCL-153P	150W
ARIADNI AYCL-153P	150W
MAESTRO MACL-153M	150W

LEVITON	LOAD (W)
ILLUMATEC IPL06	150W
SURESLIDE 6672	150W
SURESLIDE 6674	150W
EATON	
SMART DIMMER AAL06	300W
PASS & SEYMOUR	
HARMONY DCL453PTCCCV6	150W
GE	
ROCKER 10464	150W
TOGGLE 18027	150W