



# RAD35

## SONIC 3.5 TRIMLESS

### 3.5" RECESSED LED DOWNLIGHT



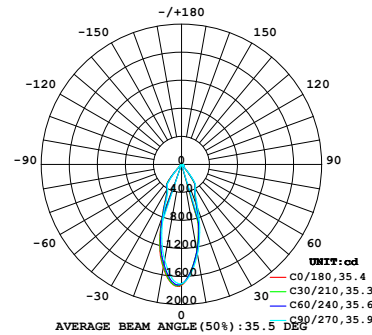
#### FEATURES

- Air-tight and wet location approved
- Type ic rated - approved for direct contact with insulation
- Downlight housing is not required even for insulated ceilings
- Quick connect wire allows for efficient installation Isolated driver inside junction box
- New construction plate available (NCH350) Optional
- Emergency Backup
- 5 year warranty

#### SPECIFICATIONS

Input Voltage	120 or 277V AC
Wattage	15W
Lumen	1250lm
Efficacy(LPW)	>82 lm/W
Color Temp	27K, 30K, 35K, 40K, 50K (CCT adj.)
CRI	>90
Beam Angle	24° / 36° / 50°
Dimming	Triac or 0-10V (with 277V driver)
Lamp Life	50,000hr
Environment	IP65 Wet Location
Material	Aluminum Body with Anodized Heat Sink
Operating Temp	-4°F - 104°F
Cut out	3.74 inches

#### LUMINOUS INTENSITY DISTRIBUTION DIAGRAM



#### ORDERING GUIDE

**RAD35TMS - R - 15** - \_\_\_\_\_ - \_\_\_\_\_ - \_\_\_\_\_ - \_\_\_\_\_

*Example: RAD35R-15-CCT-120-24C-WT-EM*

Trim	Wattage	Color Temperature	Input Voltage	Beam Angle	Lense	EM
RAD35TMS-R	15 (1250lm)	CCT Adj. (27K, 30K, 35K, 40K, 50K) 3000K 3500K 4000K	120 (Triac Dim) 277 (0-10V Dim)	24° 36° 50°	C Clear F Frosted	EM

**\*QUICKSHIP CONFIGURATION - 120V 36 DEGREE BEAM ANGLE CLEAR LENSE**

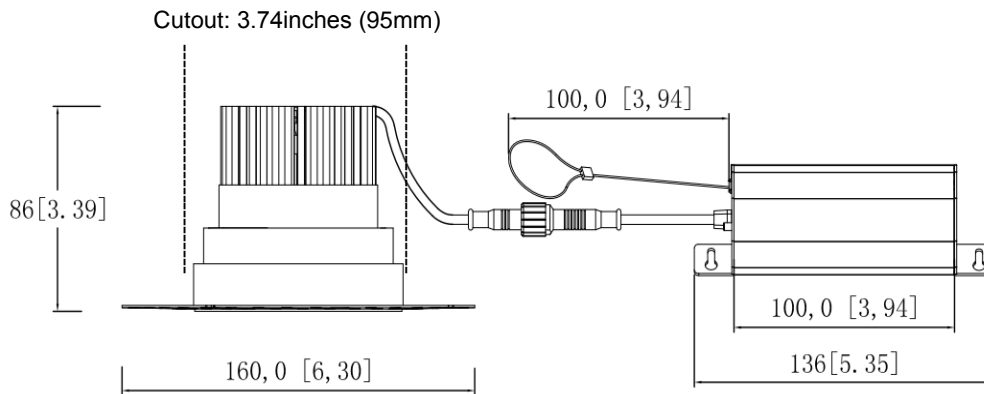
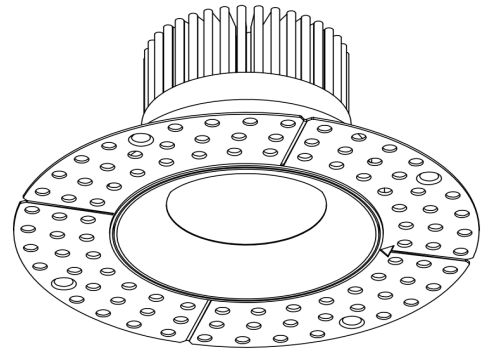
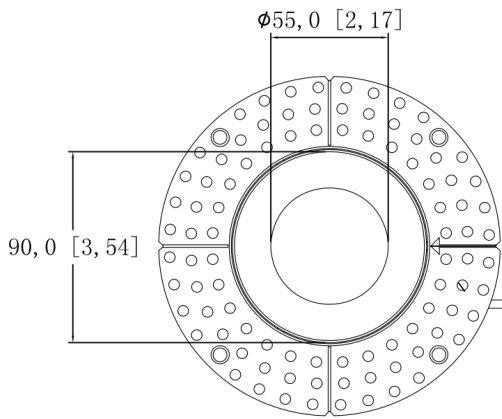


# RAD35

## SONIC 3.5 TRIMLESS

3.5" TRIMLESS DOWNLIGHT

### DIMENSIONS



### ADDITIONAL INFORMATION

- Compatible with LB15150
- White Finish ONLY

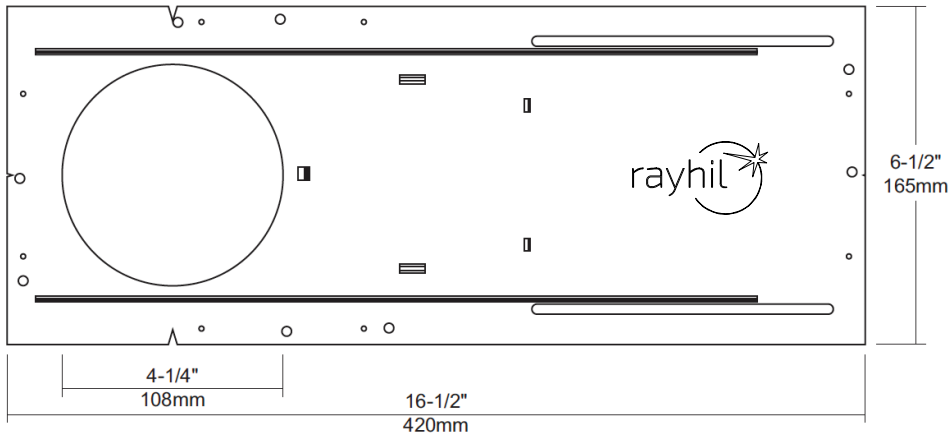


# RAD35

## SONIC 3.5 TRIMLESS

### 3.5" RECESSED LED DOWNLIGHT

#### ACCESSORIES / OPTIONS



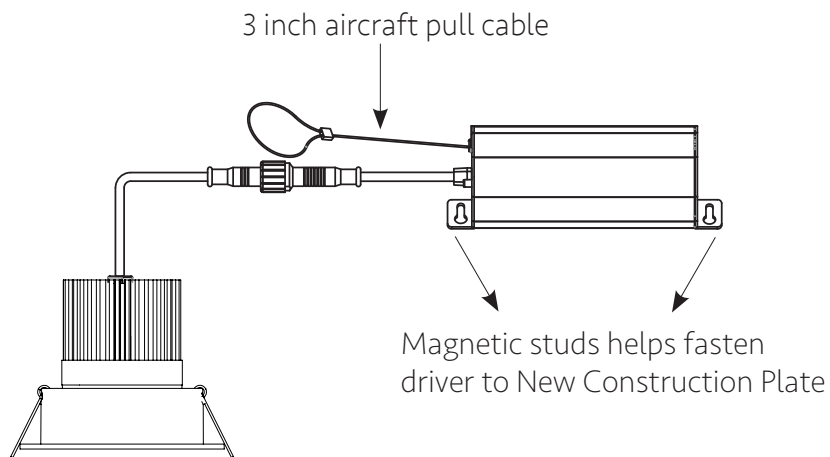
#### NEW CONSTRUCTION MOUNTING PLATE

##### LB15150

Constructed out of galvanized steel

Magnetic plate and driver facilitate easy and secure placement

Adjustable Hanger Bars up to 24"





# RAD35

## SONIC 3.5 TRIMLESS

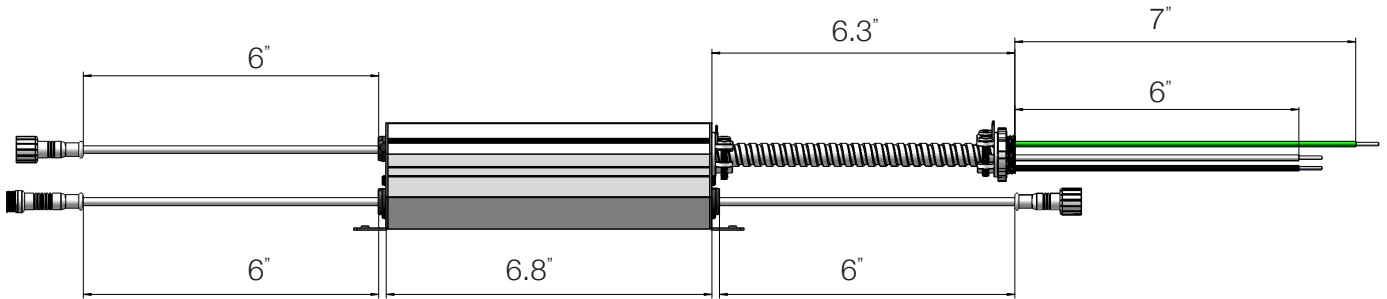
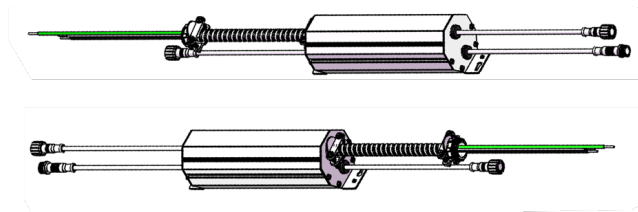
3.5" RECESSED LED DOWNLIGHT

### EMERGENCY BACK UP DRIVER

RAD25/35-EM

90 minute run time

See spec sheet for further information





# RAD35

## SONIC 3.5 TRIMLESS

### 3.5" RECESSED LED DOWNLIGHT

#### COMPATIBLE DIMMERS

<b>LUTRON</b>	LOAD (W)
SKYLARK CONTOUR LECL-153P	150W
SKYLARK CONTOUR CTCL-150H	150W
SKYLARK CONTOUR LGCL-153PLH	150W
SKYLARK CONTOUR CTCL-153P	150W
SKYLARK CONTOUR SCL-153P	150W
SKYLARK CONTOUR S-600P	600W
CASETA PD-6WCL	600W
CASETA PD-5NE	150W
CASETA PD-10NXD	250W
DIVA DVCL-153P	150W
TOGLER TGCL-153P	150W
ARIADNI AYCL-153P	150W
MAESTRO MACL-153M	150W

<b>LEVITON</b>	LOAD (W)
ILLUMATEC IPL06	150W
SURESLIDE 6672	150W
SURESLIDE 6674	150W
<b>EATON</b>	
SMART DIMMER AAL06	300W
<b>PASS &amp; SEYMOUR</b>	
HARMONY DCL453PTCCCV6	150W
<b>GE</b>	
ROCKER 10464	150W
TOGGLE 18027	150W