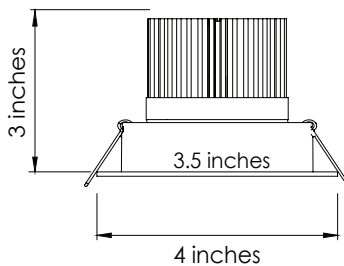




RAD35G

SONIC 3.5 GIMBAL

3.5" GIMBAL RECESSED LED DOWNLIGHT



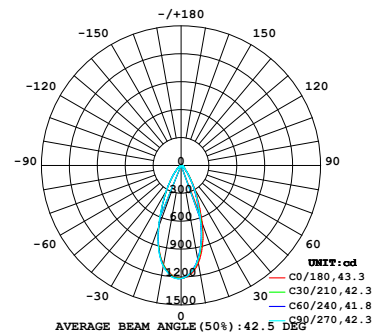
FEATURES

- Air-tight and damp location approved
- Type ic rated - approved for direct contact with insulation
- Downlight housing is not required even for insulated ceilings
- Spring loaded mounting clips
- Quick connect wire allows for efficient installation
- Isolated driver inside junction box
- New construction plate available (NCH350)
- Optional Emergency Backup
- 5 year warranty

SPECIFICATIONS

Input Voltage	120 or 277V AC
Wattage	12W
Lumen	850lm
Efficacy(LPW)	>70 lm/W
Color Temp	30K, 35K, 40K (CCT adj.)
CRI	>90
Beam Angle	15° / 24° / 42° / 55°
Dimming	Triac or 0-10V (with 277V driver)
Lamp Life	50,000hr
Environment	IP65 Wet Location
Material	Aluminum Body with Anodized Heat Sink
Operating Temp	-4°F - 104°F
Cut out	3.5 inches

LUMINOUS INTENSITY DISTRIBUTION DIAGRAM



ORDERING GUIDE

RAD35R- 12G -

Example: RAD35R-12G-CCT-120-15-WT-EM

TRIM	Wattage	Color Temperature	Input Voltage	Beam Angle	Trim Finish	EM
RAD35R	12G (850lm)	CCT adj. (30K, 35K, 40K) 3000K 3500K 4000K	120 (Triac Dim) 277 (0-10V Dim)	15° 24° 42° 55°	WT White BK Black	EM



***QUICKSHIP CONFIGURATION - 120V 42 DEGREE BEAM ANGLE**

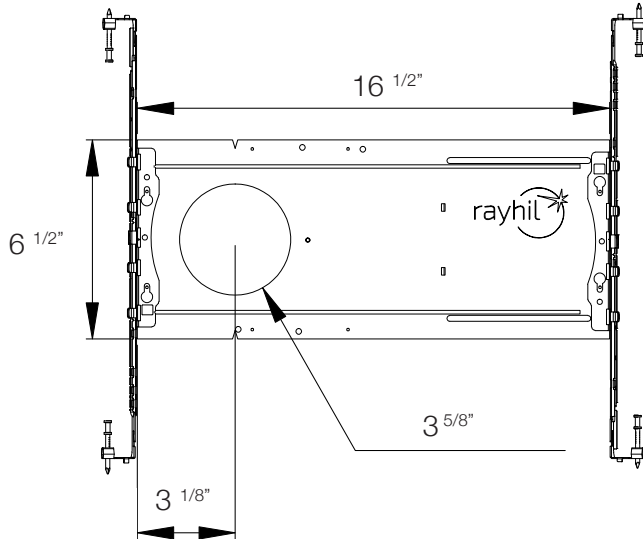


RAD35G

SONIC 3.5 GIMBAL

3.5" GIMBAL RECESSED LED DOWNLIGHT

ACCESSORIES / OPTIONS

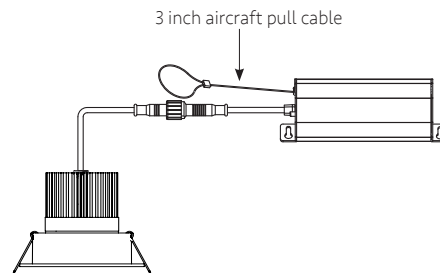


NEW CONSTRUCTION MOUNTING PLATE NCH350

Constructed out of galvanized steel

Magnetic plate and driver facilitate easy and secure placement

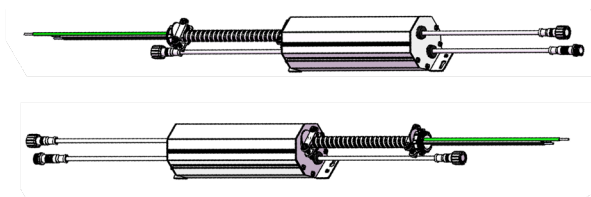
Adjustable Hanger Bars up to 24"



TRIM FINISH OPTIONS

White
Black

WT
BK

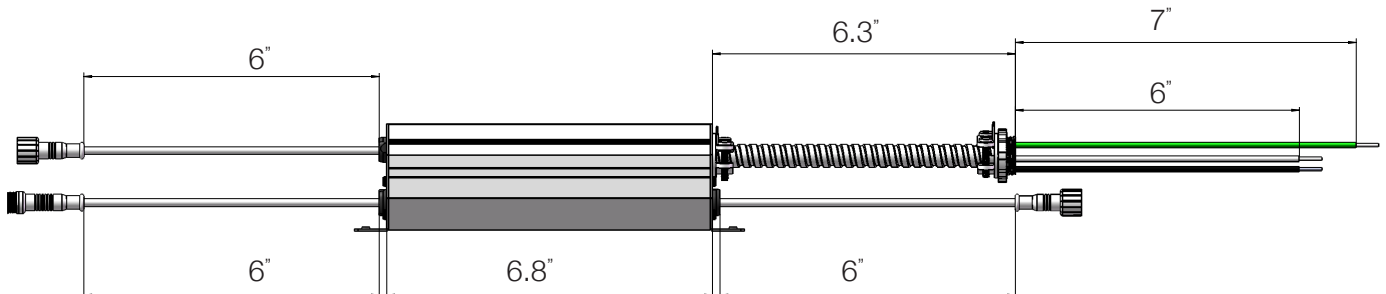


EMERGENCY BACK UP DRIVER

RAD25/35-EM

90 minute run time

See spec sheet for further information





RAD35G

SONIC 3.5 GIMBAL

3.5" GIMBAL RECESSED LED DOWNLIGHT

COMPATIBLE DIMMERS

LUTRON	LOAD (W)
SKYLARK CONTOUR LECL-153P	150W
SKYLARK CONTOUR CTCL-150H	150W
SKYLARK CONTOUR LGCL-153PLH	150W
SKYLARK CONTOUR CTCL-153P	150W
SKYLARK CONTOUR SCL-153P	150W
SKYLARK CONTOUR S-600P	600W
CASETA PD-6WCL	600W
CASETA PD-5NE	150W
CASETA PD-10NXD	250W
DIVA DVCL-153P	150W
TOGLER TGCL-153P	150W
ARIADNI AYCL-153P	150W
MAESTRO MACL-153M	150W

LEVITON	LOAD (W)
ILLUMATEC IPL06	150W
SURESLIDE 6672	150W
SURESLIDE 6674	150W
EATON	
SMART DIMMER AAL06	300W
PASS & SEYMOUR	
HARMONY DCL453PTCCCV6	150W
GE	
ROCKER 10464	150W
TOGGLE 18027	150W