



RAR40 SONIC 4

4" RECESSED LED RETROFIT



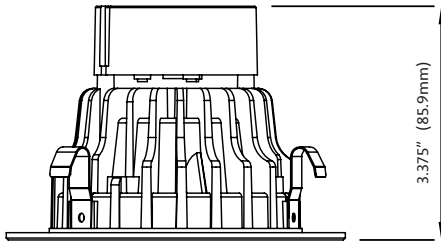
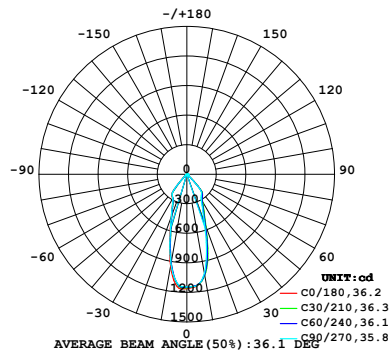
FEATURES

- Air-tight and wet location approved
- MR16 and E26 base options
- Compatible with 4" New Construction Housing and 4" Remodel Housings
- 5 year warranty

SPECIFICATIONS

Input Voltage	120 or 12V
Wattage	10W
Lumen	1000lm
Efficacy(LPW)	>75 lm/W
Color Temp	30K/ 35K/ 40K
CRI	>90
Beam Angle	24°/ 36°/50°
Dimming	Triac/ 0-10V (E26 Base ONLY)
Lamp Life	50,000hr
Environment	IP65 Wet Location
Material	Aluminum Body with Anodized Heat Sink
Operating Temp	-4°F - 104°F
Base	E26/ MR16

LUMINOUS INTENSITY DISTRIBUTION DIAGRAM



ORDERING GUIDE

RAR40 _____ - 12 - CCT - _____ - _____ - _____ - _____

Example: RAR40R-10-CCT-E26-120-24C-WT-EM

TRIM	Wattage	Color Temp	Base	Input Voltage	Beam Angle	Lense	Trim Finish	EM
RAR40R (Round)	10 (1000lm)	CCT ADJ. 30K/ 35K/ 40K	E26	120	24°	C Clear	WT White	EM
RAR40S (Square)			MR16	12 (NON-DIM)	36° 50°	F Frosted P Pinhole W Wall Washing	BK Black BN Brushed Nickel GD Gold BZ Bronze CP Copper	

*QUICKSHIP CONFIGURATION - 120V & 12V 36 DEGREE BEAM ANGLE

PROJECT:

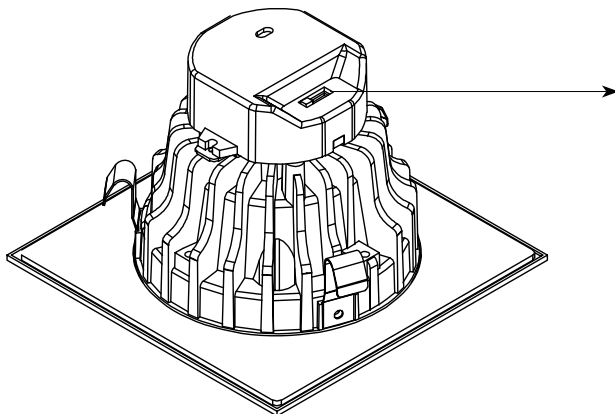
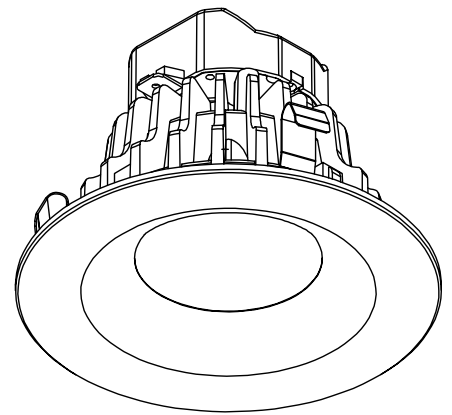
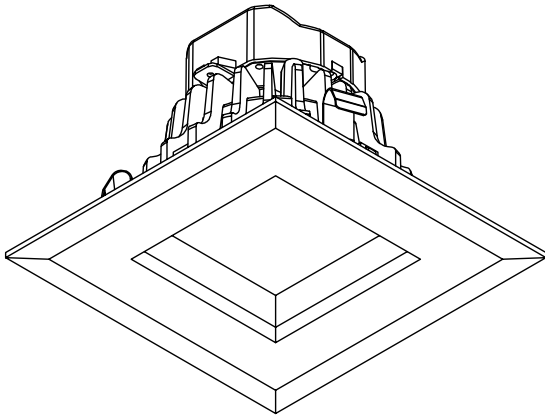
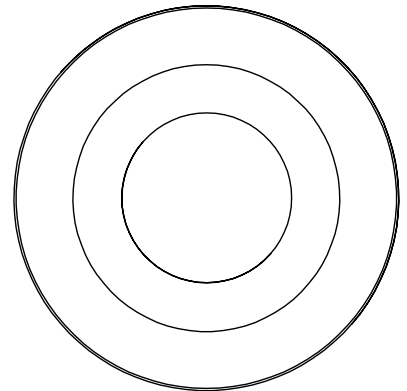
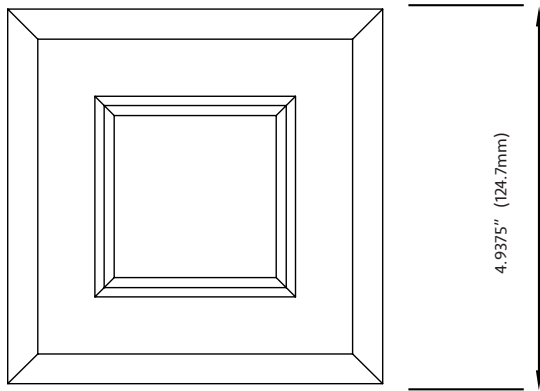
PREPARED BY:

TYPE:

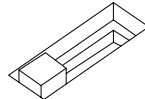


RAR40 SONIC 4

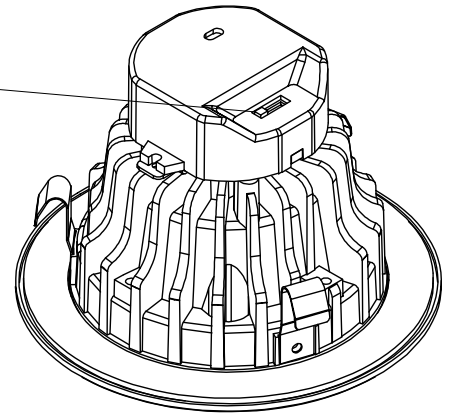
4" RECESSED LED RETROFIT



CCT SWITCH



30K/35K/40K





RAR40 SONIC 4

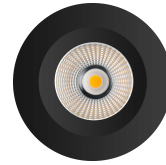
4" RECESSED LED RETROFIT

TRIM COLOR OPTIONS

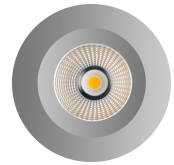
White	WT
Black	BK
Brushed nickel	BN
Gold	GD
Bronze	BZ
Copper	CP



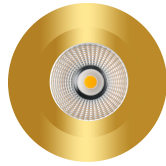
Existing Trim



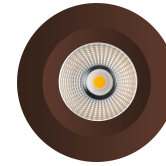
RAD40R-BK



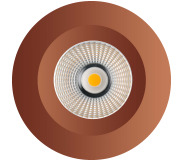
RAD40R-BN



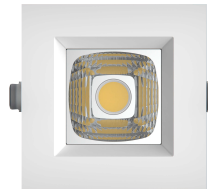
RAD40R-GD



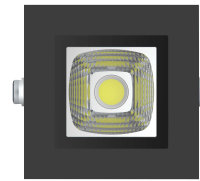
RAD40R-BZ



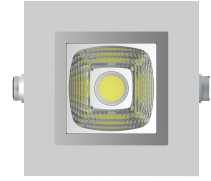
RAD40R-CP



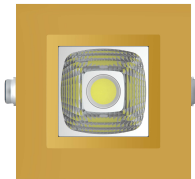
Existing Trim



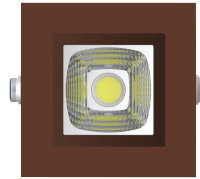
RAD40S-BK



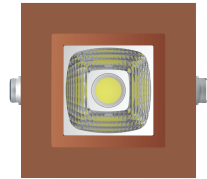
RAD40S-BN



RAD40S-GD



RAD40S-BZ



RAD40S-CP



RAR40 SONIC 4

4" RECESSED LED RETROFIT

COMPATIBLE DIMMERS

LUTRON	LOAD (W)
SKYLARK CONTOUR CTCL-153P	150W
SKYLARK CONTOUR AYCL-153P	150W
SKYLARK CONTOUR TGCL-153PH	150W
SKYLARK CONTOUR LGCL-153PH	150W
SKYLARK CONTOUR SCL-153P	150W
SKYLARK CONTOUR CT-600PH	600W
DIVA DVCL-153P	600W
DIVA MACL-153M	150W
DIVA PD-5NE	250W
DIVA PD-10NXD	150W
DIVA DVELV300P	150W
DIVA SELV300P	150W

LEVITON	LOAD (W)
DECORA 6672	150W
DECORA 6674	150W
DECORA IPL06P	150W
COOPER	
SAL06P	300W
PASS & SEYMOUR	
HARMONY HCL453P	150W

Dimming compatibility for E26 Base option ONLY