

4 INCH RECESS CAN KIT INSTALLATION GUIDE

120V 60Hz 12Watt

PLEASE READ THESE INSTRUCTIONS CAREFULLY AND SAVE THEM, AS YOU MAY NEED THEM AT A LATER DATE.

WARNING: Failure to install and wire fixture in accordance with the National Electrical Codes (NEC), all applicable Federal, State and Local electrical codes, as well as specific U.L. safety standards for the intended working environment (location/application), may cause serious personal injury, death and/or property damage. This product must be installed by a person familiar with the construction and operation of the product and the hazards involved.

This fixture is suitable for wet locations

IMPORTANT NOTE: The safeguards and instructions appearing in this page, are not meant to cover all possible conditions and situations that may occur. It may be understood that common sense, cautions and care are factors which cannot be built into any product. The person(s) installing, operating and responsible for the light fixture, must execute these factors.

Warning: For 120V 60Hz use only. Risk of fire and electrical shock, most dwellings built before 1985 have supply wires rated 60 degrees C. Consult a qualified electrician before installing.. use wires rated at least 90 degrees C.s.

Remove The Retrofit Kit and make sure that no parts are missing. By referencing the parts illustration. This retrofit is intended for Type IC or Non IC covered recess luminaire.

THIS RETROFIT ASSEMBLY IS ACCEPTABLE AS A COMPONENT OF A LED LUMINAIRE WHERE THE SUITABILITY BE DETERMINED BY CSA OR CANADIAN AUTHORITIES HAVING JURISDICTION.

INSTALLATION INSTRUCTION:

TURN OFF POWER FROM THE MAIN CIRCUIT BEFORE INSTALLING UNIT.

- 1) Only a qualified person should attempt to install this unit.
- 2) **WARNING** Risk of electrical shock. Install this Retrofit Kit into a housing that has dimensions shown in FIG2.
- 3) Unscrew the wing nut inside the can to remove socket bracket from can. Disengage the socket from the socket bracket by pressing in on the two spring clips on the socket. (SEE FIG3).
- 4) Thread the socket adapter into the socket. (SEE FIG 4)
- 5) Plug in the two plugs, the one from the socket adapter to the retrofit kit.(SEE FIG 5)
- 6) Tuck all the wires carefully into the can and push retrofit kit into can until flush with ceiling. (SEE FIG 6)
- 7) Turn power on to operate the unit.

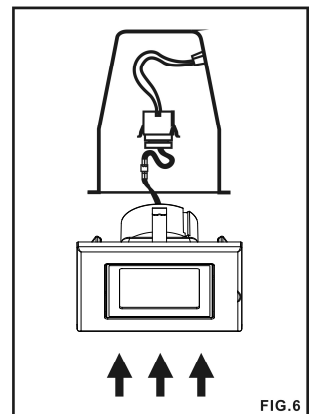
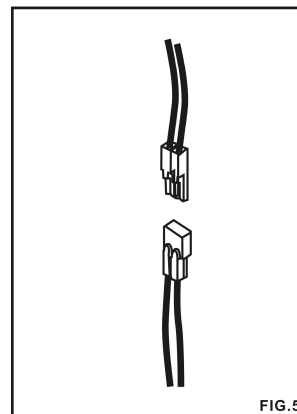
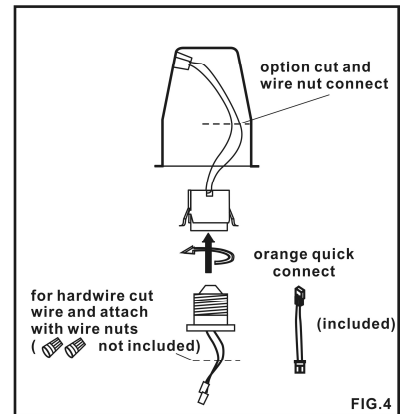
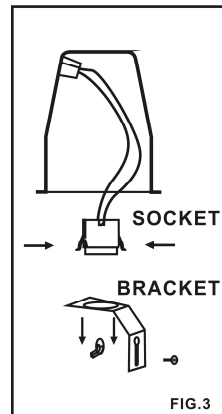
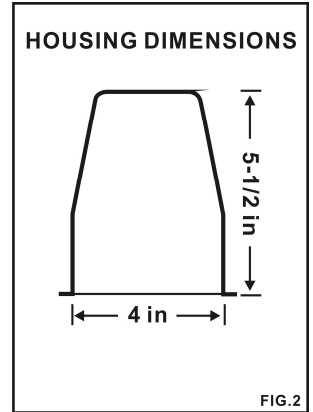
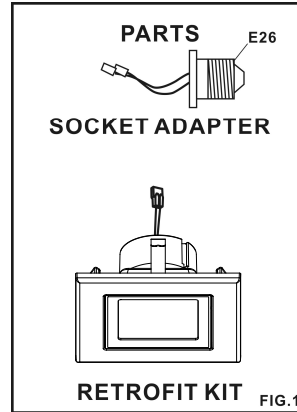
Title 24 (California New Construction Application):

Requires the unit to be plugged in with a quick connect, connected with a GU24 socket, or hardwired in. This unit includes a medium base E26 socket (E26 not used for Title 24).

To comply to Title 24 the unit must be either plugged in with a quick connect (Orange female quick connect included). Many newer cans come with a Orange male quick connect plug. The other option is that you use a Gu24 Socket with a Gu24 can. Finally you can cut the E26 Socket provided and use wire nuts or pig tale crimps to hardwire the unit. See Fig 2.

DIMMING:

This product is compatible to most common residential (Triac) dimmers. Dimmers' performance depends on each individual dimmer, dimmer setting (for dimmers set at different brightness range) the method of wiring, the number of LED modules on a switch. For best result set dimmer at maximum before adjust to the lowest light level. Multiple units on a single dimmer may react differently in it's dimming range or function. Multiple dimmers on the same line/fuse may effect the dimming range or dimming function. If flickering happens change the dimmer. This LED unit is compatible with the following dimmers: LUTRON: DVCL-153P, MACL-153M, CT-600PH, LGCL-153PH, TGCL-153PH, CTCL-153P, CTCL-153PDH; LEVITON: 6672, 6674, IPL06P; PASS & SEYMOUR: HCL453P; COOPER: SAL06P



IMPORTANT:

This trim kit comes a **WARNING LABEL** that must be Placed in the recess can, being converted with this led unit. Place the label on a clean surface where it is easily visible to the person re-lamping or servicing the recess can. This label is required for this unit to comply with UL requirements.