



CYL REVOLVE

CYLINDER



FEATURES

Ideal for new construction and remodeling applications
Dimmable
Suitable for damp locations
Selectable color temperature
Interchangeable mounting options
Black and White finish options
Universal voltage

SPECIFICATIONS

Wattage	20W
Input Voltage	120V - 277V
Efficacy	90lm/W
Lumens	1800LM
Color Temperature	27K, 30K, 35K, 40K, 50K(CCT adj.)
Dimming	Triac/ 0-10V
CRI	90
Environment	Damp Locations
Beam Angle	40°
Lamp Life	50,000hr
Operating Temperature	-4°C ~ 104°C



ORDERING GUIDE

CYLINDER MODULE

CYL - 20 - CCT - _____

Model	Wattage	Lumens	Color Temperature	Voltage	Finish
CYL	20W	1800lm	CCT Adj. (2700K/3000K/3500K/4000K/5000K)	120-277	WT White BK Black



MOUNTING KIT

CYL - _____ - _____

Model	Mounting Option	Finish
CYL	SFC Surface	WT White
	TMS Trimless	BK Black
	PDT Pendant	

*Black mounting kit only available for surface & pendant

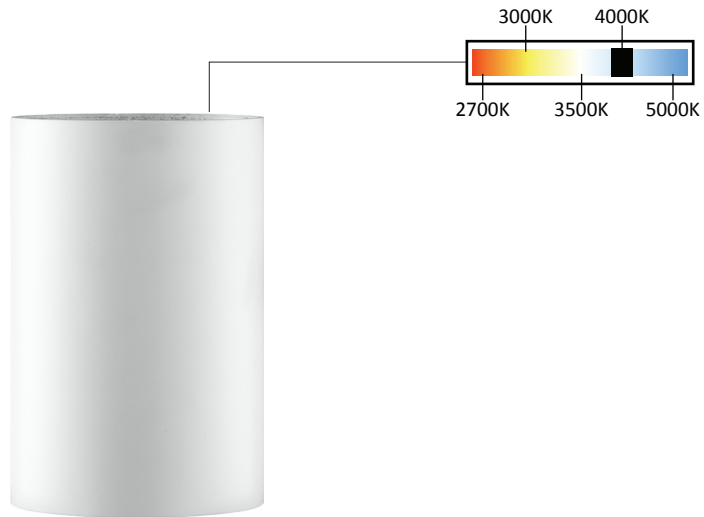




CYL
REVOLVE
CYLINDER

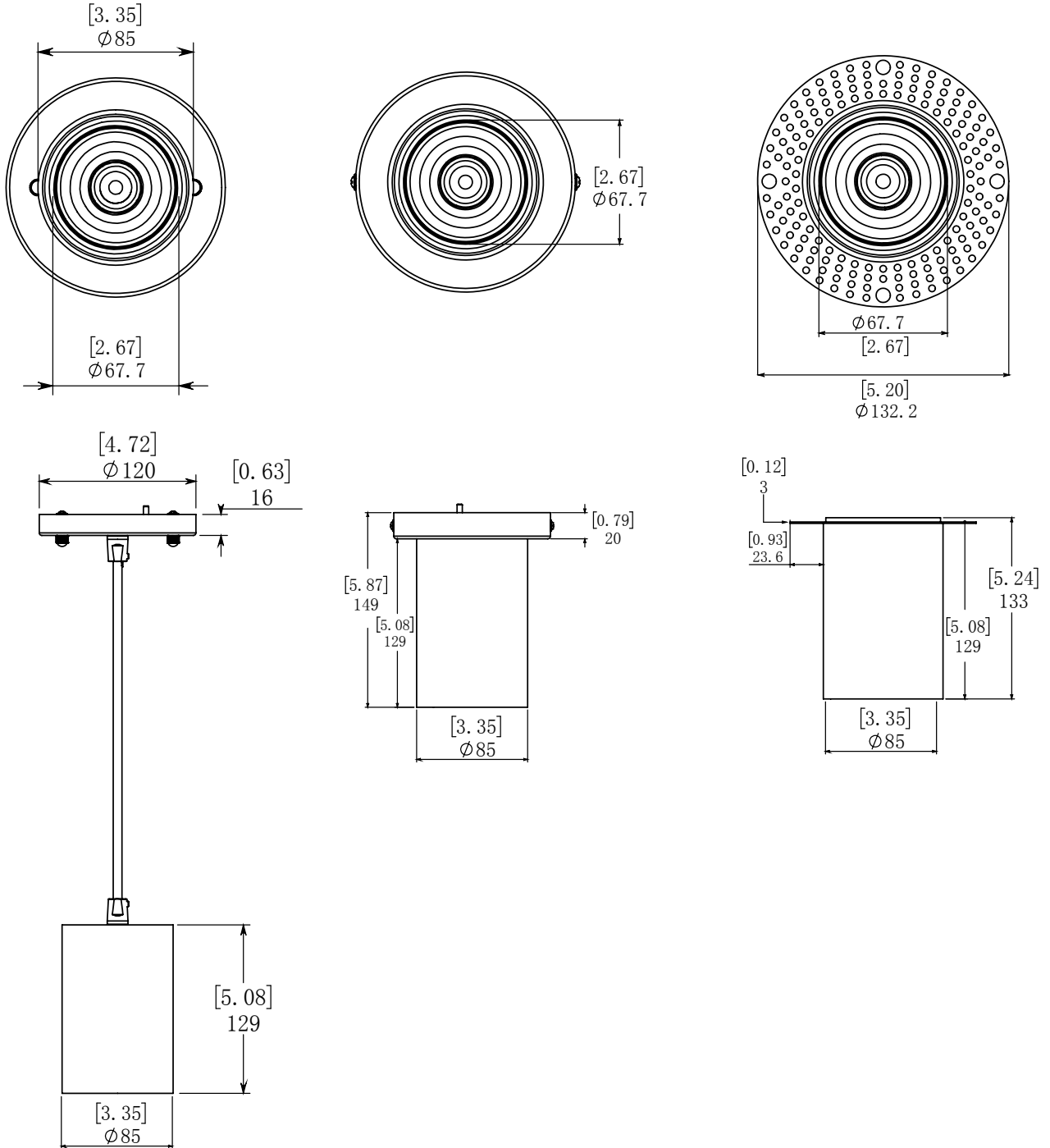


Twist off mounting kit and quick connect wires allow for quick and efficient installation.





CYL REVOLVE CYLINDER





CYL REVOLVE CYLINDER

COMPATIBLE DIMMERS

LUTRON	LOAD (W)	LEVITON	LOAD (W)
SKYLARK CONTOUR LECL-153P	150W	ILLUMATEC IPL06	150W
SKYLARK CONTOUR CTCL-150H	150W	SURESLIDE 6672	150W
SKYLARK CONTOUR LGCL-153PLH	150W	SURESLIDE 6674	150W
SKYLARK CONTOUR CTCL-153P	150W		
SKYLARK CONTOUR SCL-153P	150W	EATON	
SKYLARK CONTOUR S-600P	600W	SMART DIMMER AAL06	300W
CASETA PD-6WCL	600W	PASS & SEYMOUR	
CASETA PD-5NE	150W	HARMONY DCL453PTCCCV6	150W
CASETA PD-10NXD	250W		
DIVA DVCL-153P	150W	GE	
TOGLER TGCL-153P	150W	ROCKER 10464	150W
ARIADNI AYCL-153P	150W	TOGGLE 18027	150W
MAESTRO MACL-153M	150W		