



CYL REVOLVE

CYLINDER



FEATURES

- Ideal for new construction and remodeling applications
- Dimmable
- Suitable for damp locations
- Selectable color temperature
- Wattage Selectable
- Interchangeable mounting options
- Black and White finish options
- Universal voltage

Mounting Options

- Surface
- Mud-In Trimless
- Pendant Cord (49" Adjustable)
- Conduit Mount
- Stem Mount (5" Stackable Configurations)

SPECIFICATIONS

| | |
|-------------------|-----------------------------------|
| Wattage | 10W/15W/20W Selectable |
| Input Voltage | 120V - 277V |
| Efficacy | 90lm/W |
| Lumens | 1800LM |
| Color Temperature | 27K, 30K, 35K, 40K, 50K(CCT adj.) |
| Dimming | Triac/ 0-10V |

| | |
|-----------------------|----------------|
| CRI | 90 |
| Environment | Damp Locations |
| Beam Angle | 40° |
| Lamp Life | 50,000hr |
| Operating Temperature | -4°C ~ 104°C |





CYL REVOLVE

CYLINDER

ORDERING GUIDE

CYL - _____ - CCT - _____ **Example: CYL-WS-CCT-WT**

| Model | Wattage | Lumens | Color Temperature | Voltage | Finish |
|-------|---|---------------------------|--|---------|------------------------------------|
| CYL | WS 10/15/20W Selectable 20 20W | 900/1350/1800LM 1800LM | CCT Adj (2700K/3000K/3500K/4000K/5000K) | 120-277 | WT White BK Black |

MOUNTING KIT

CYL - _____ - _____ - _____ **Example: CYL-SFC-WT-EM**

| Model | Mounting Option | Finish | EM |
|-------|--|-----------------|--------------------------|
| CYL | SFC Surface | WT White | EM |
| | TMS Trimless | BK Black | (Leave blank for non-em) |
| | PDT Pendant | | |
| | CM Conduit Mount | | |
| | ST Stem Monopoint | | |
| | ST__ Stem Mount Ultra (Intervals of 6" or 12") | | |
| | STU__ Stem Mount Ultra Slim Canopy (Intervals of 6" or 12") | | |
| | STR__ Stem Mount Ultra Recessed Canopy (Intervals of 6" or 12") | | |

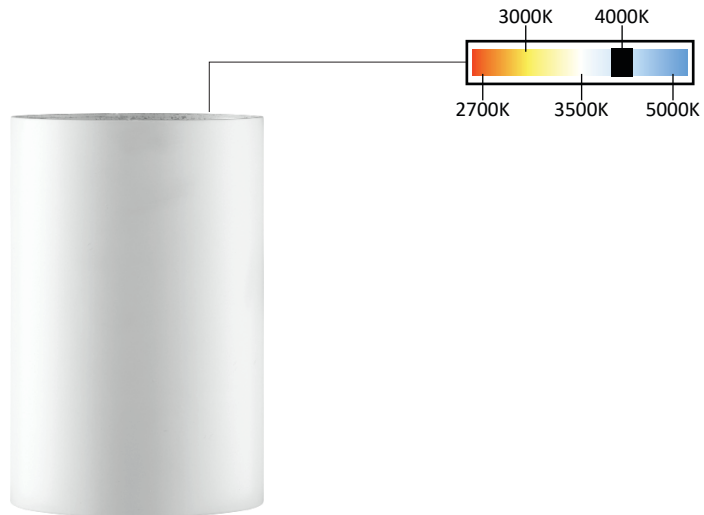


CYL REVOLVE

CYLINDER



Twist off mounting kit and quick connect wires allow for quick and efficient installation.



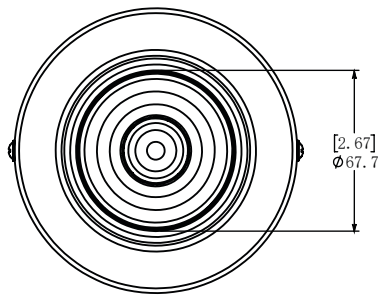


CYL REVOLVE

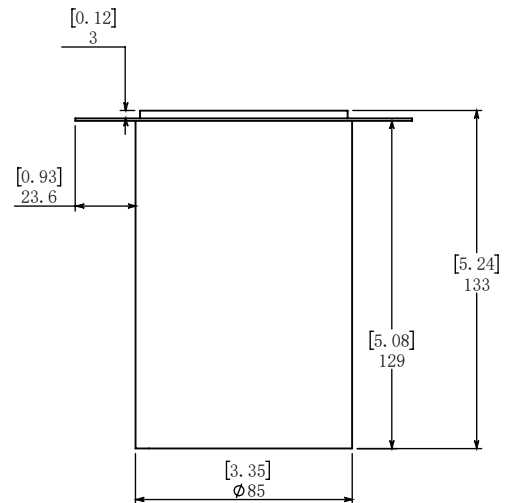
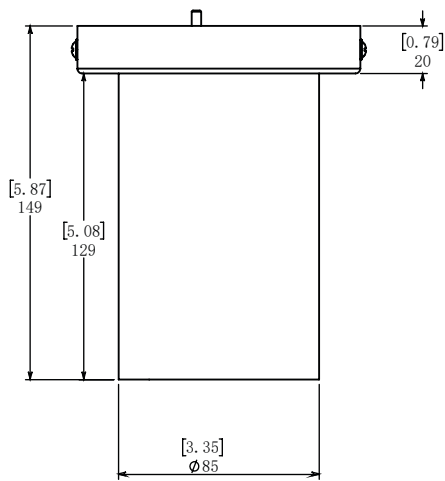
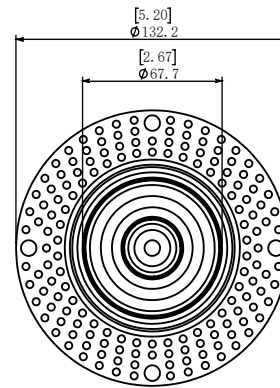
CYLINDER

DIMENSION

Surface Mount



Trimless Mount

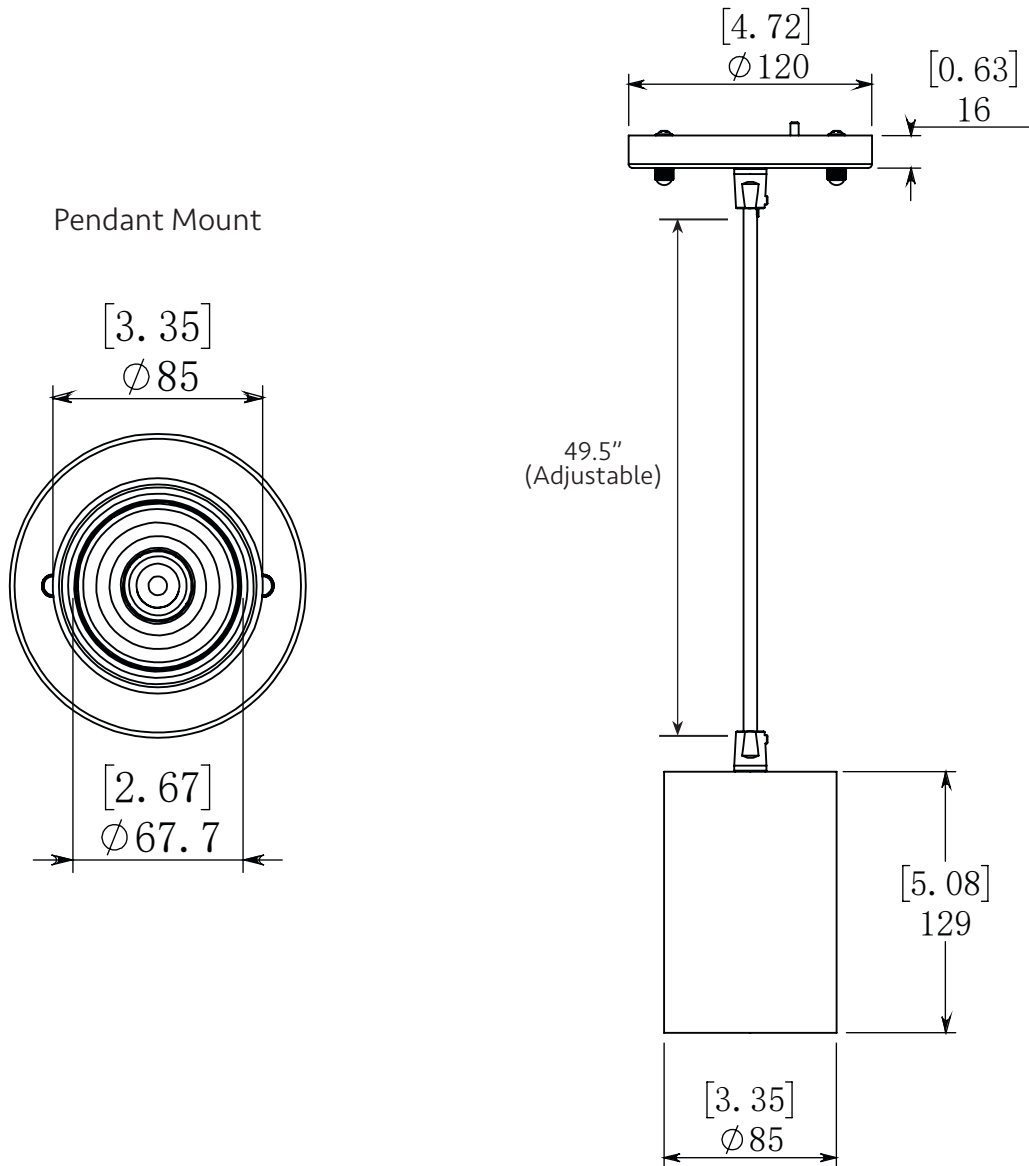




CYL REVOLVE

CYLINDER

DIMENSION





CYL REVOLVE

CYLINDER

AVAILABLE CANOPY



Stem Mount Ultra

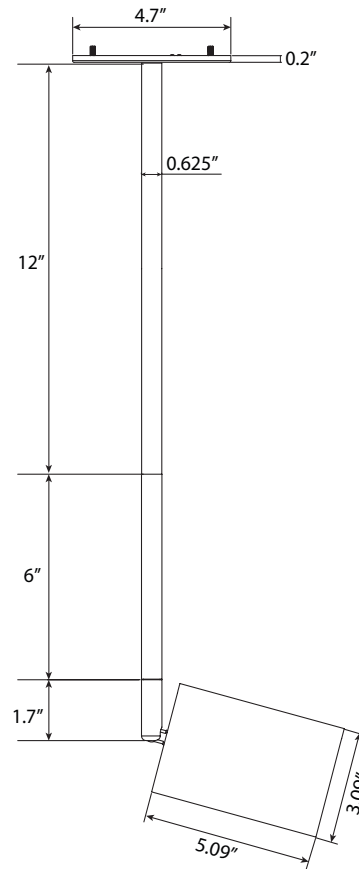
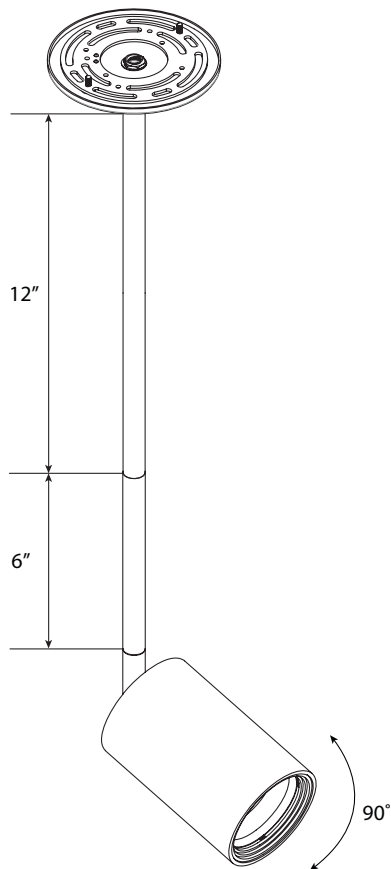


Stem Mount Ultra Slim Canopy



Stem Mount Ultra Recessed Canopy

DIMENSION

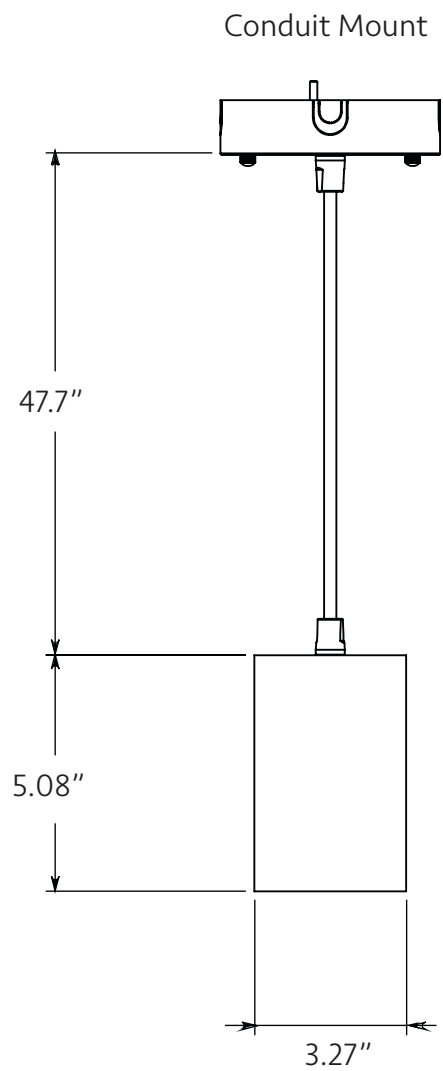
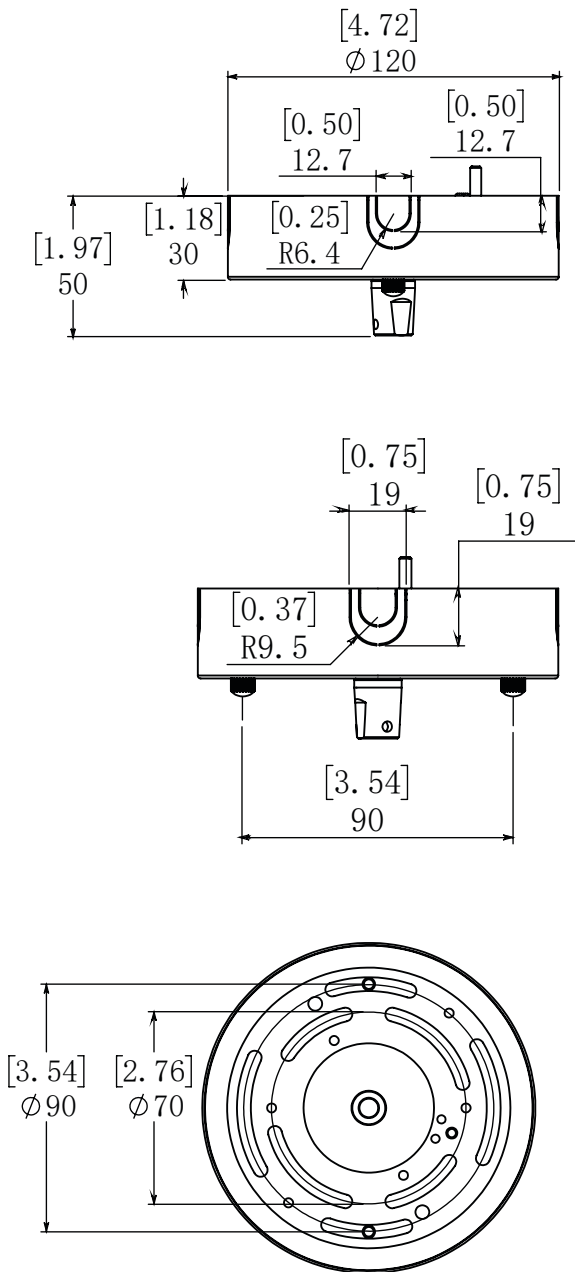




CYL REVOLVE

CYLINDER

DIMENSION





CYL REVOLVE

CYLINDER

EM BATTERY

SPECIFICATIONS

| | |
|---------------------|---|
| Input Voltage | 100-34 7Vac, 50/60Hz |
| Input Current | 0.1A MAX |
| Input Power | 12W MAX |
| Output Voltage | 170V DC |
| Output Power | 20W |
| Application | ≤150W (0-10V Dimmable Fixture) ≤20W LED Lamps without dimming function |
| Ambient Temperature | Damp Locations |



CAUTION:

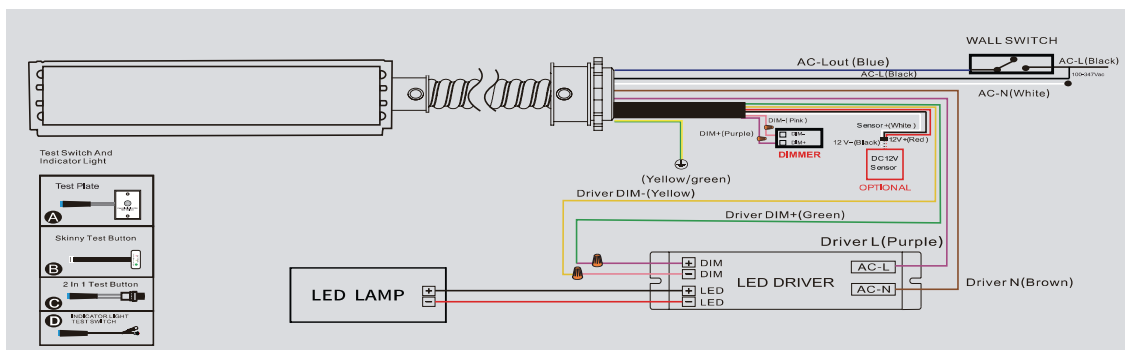
1. The Emergency LED driver must connect to 0/1-10V dimming wires (DIM+, DIM-) of the fixture if the LED luminaire power is exceed the emergency LED driver power.
2. In emergency mode, double-click this test switch to turn off the current emergency state.

WIRING DIAGRAM

Wiring 1 : For LED Driver with Input Power Higher Than Emergency Output Power

0/1-10V Dimmable LED Driver+ Dimmer Switch

Emergency Driver Dim+(Green), Driver Dim-(Yellow) Have to connect with LED driver DIM+ and DIM-

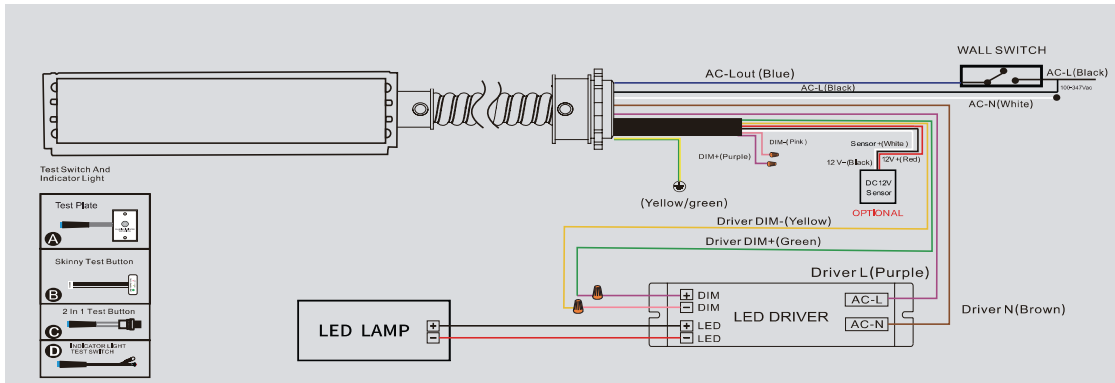




Wiring 2 : For LED Driver With Input Power Higher Than Emergency Output Power

0/1-10V Dimmable LED Driver+ Wall Switch

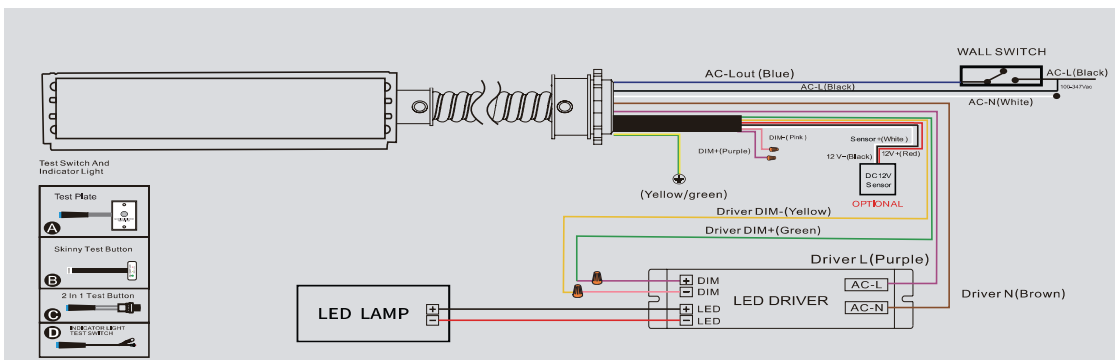
Emergency Driver Dim+(Green) , Driver Dim-(Yellow) Have to connect with LED driver DIM+ and DIM-



Wiring 2 : For LED Driver With Input Power Higher Than Emergency Output Power

0/1-10V Dimmable LED Driver+ Wall Switch

Emergency Driver Dim+(Green) , Driver Dim-(Yellow) Have to connect with LED driver DIM+ and DIM-



IMPORTANT SAFEGUARDS

When using electrical equipment, basic safety precautions should always be followed including the following

PLEASE READ AND FOLLOW ALL SAFETY INSTRUCTIONS.

CAUTION:RISK OF SHOCK-disconnect emergency and normal input power sources before servicing any equipment connected to this unit.

CAUTION:Risk of fire or electric shock-This emergency battery pack installation requires knowledge of luminaire and electrical systems.

CAUTION:Service of this equipment should be performed by qualified personnel only

CAUTION:Before installation, make certain the AC power to fixture is off.

CAUTION:Verify that all replacement lamp types marked on the installed luminaire are also identified as suitable for use with this emergency battery pack.

CAUTION:Suitable for use in 5°C -50°C ambient temperatures.

IMPORTANT: An unswitched AC power source is required (100-347 VAC, 50/60 Hz). This device is designed for fixtures listed for dry and damp locations.

IMPORTANT: Customers are advised to charge emergency LED driver 24 hours every 6 months during storage

CAUTION:Do not use outdoors. Do not mount near gas or electric heaters.

CAUTION:Equipment should be mounted in locations and at heights where it will not be subjected to tampering by unauthorized personnel.

CAUTION:The use of accessory equipment not recommended by the manufacturer may cause an unsafe condition The emergency battery pack is not for in an air-handling fixture.

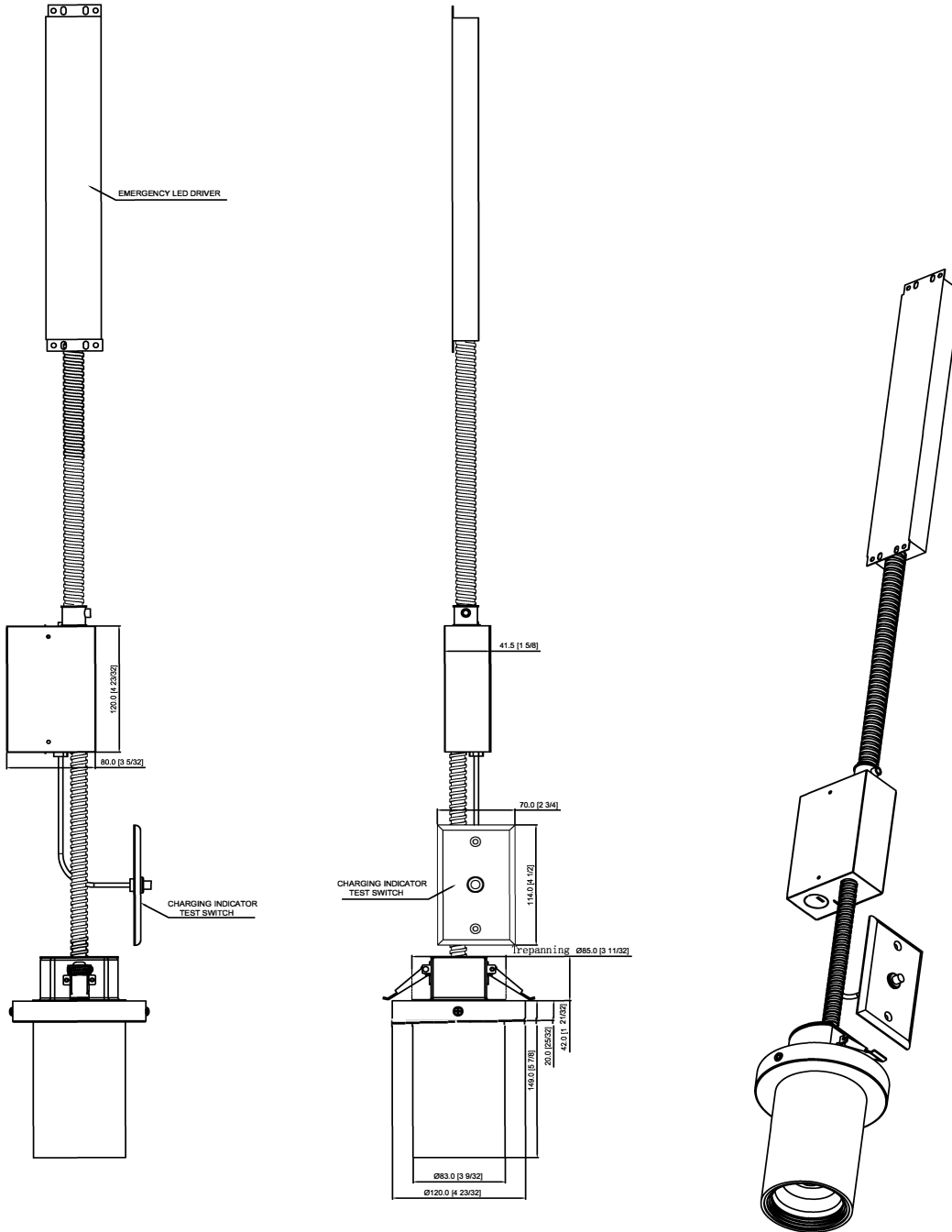
CAUTION:Do not use this equipment for other than its intended use.



CYL REVOLVE

CYLINDER

Emergency Battery for Surface Mount Kit

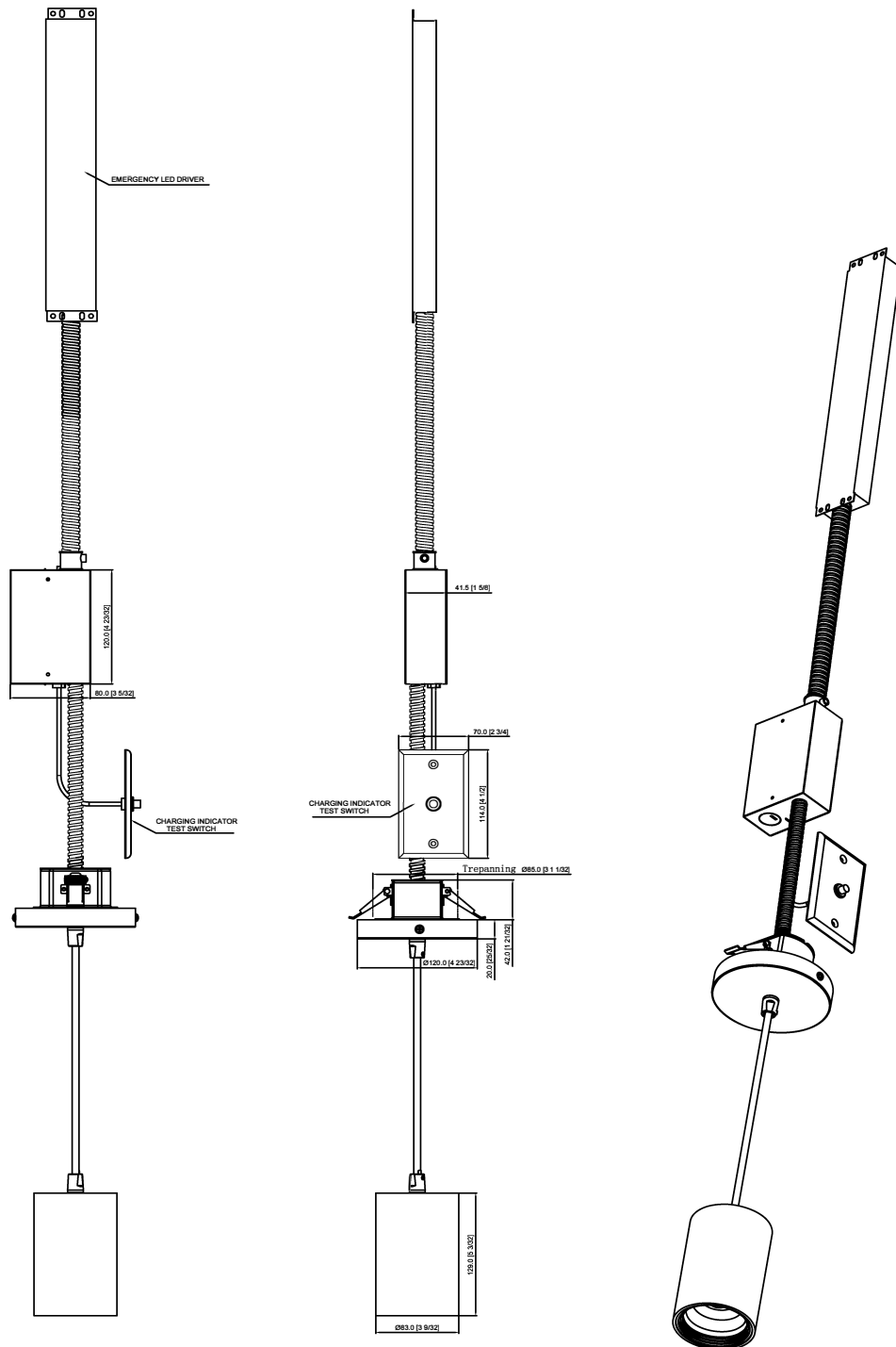




CYL REVOLVE

CYLINDER

Emergency Battery for Pendant Mount Kit





CYL REVOLVE

CYLINDER

COMPATIBLE DIMMERS

| LUTRON | LOAD (W) |
|-----------------------------|----------|
| SKYLARK CONTOUR LECL-153P | 150W |
| SKYLARK CONTOUR CTCL-150H | 150W |
| SKYLARK CONTOUR LGCL-153PLH | 150W |
| SKYLARK CONTOUR CTCL-153P | 150W |
| SKYLARK CONTOUR SCL-153P | 150W |
| SKYLARK CONTOUR S-600P | 600W |
| CASETA PD-6WCL | 600W |
| CASETA PD-5NE | 150W |
| CASETA PD-10NXD | 250W |
| DIVA DVCL-153P | 150W |
| TOGGLER TGCL-153P | 150W |
| ARIADNI AYCL-153P | 150W |
| MAESTRO MACL-153M | 150W |

| LEVITON | LOAD (W) |
|---------------------------|----------|
| ILLUMATEC IPL06 | 150W |
| SURESLIDE 6672 | 150W |
| SURESLIDE 6674 | 150W |
| EATON | |
| SMART DIMMER AAL06 | 300W |
| PASS & SEYMOUR | |
| HARMONY DCL453PTCCCV6 | 150W |
| GE | |
| ROCKER 10464 | 150W |
| TOGGLE 18027 | 150W |