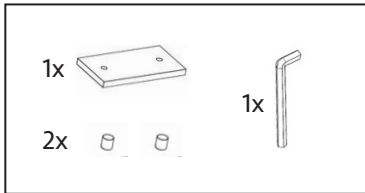




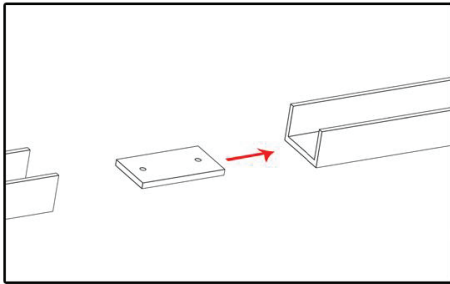
QUE

TRACK LIGHT SYSTEM

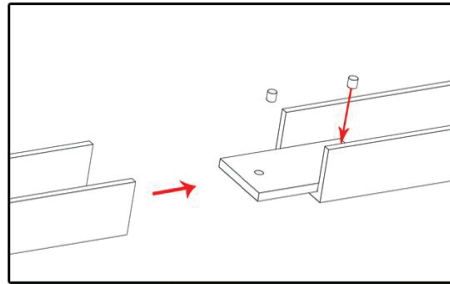
INSTALLATION GUIDE



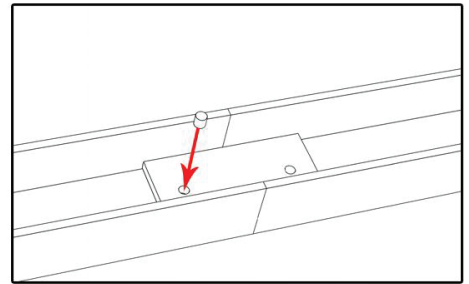
STEP 1.



STEP 2.



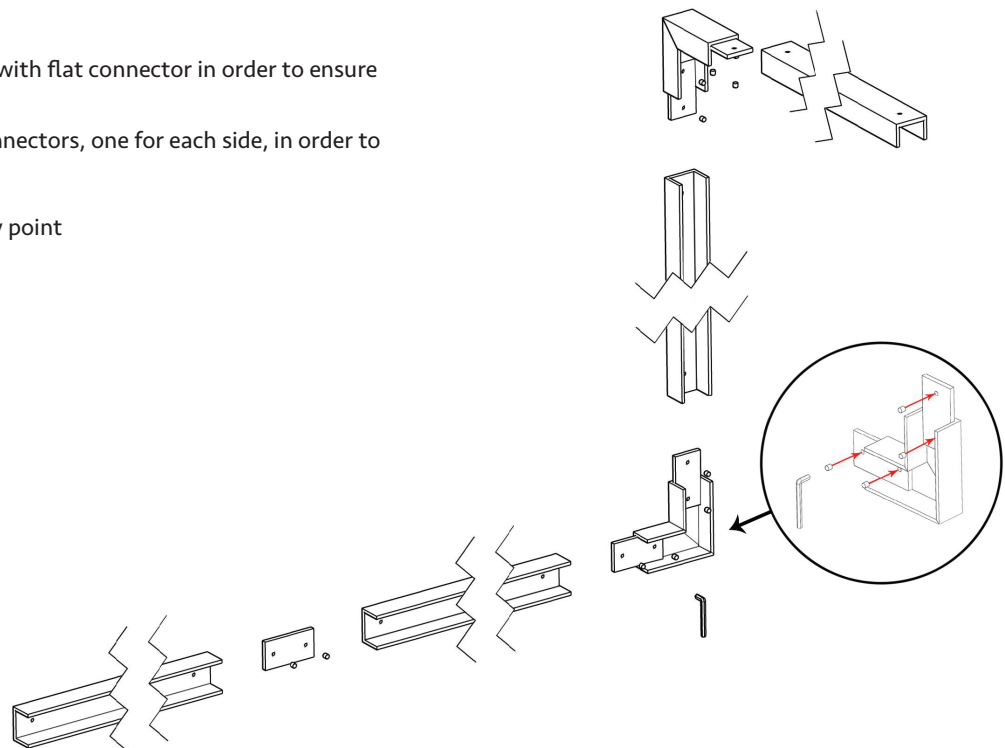
STEP 3.



NOTES

- 1. All track seams must be secured with flat connector in order to ensure perfect alignment
- 2. L shape track must use 2 flat connectors, one for each side, in order to ensure proper alignment

**All track are field cuttable at any point





QUE

TRACK LIGHT SYSTEM

STEP 3.

Power Connectors must be placed in center of each track seam for power to travel from track to track

①



Starting Wire

②



Hard Connector

③



Hard L Connector

④



Flexible L Connector

