



INFUSE SERIES SURFACE CYLINDER ROUND

RAYHIL X INPUT CREATIVE STUDIO



FEATURES

- Universal Voltage
- Triac and 0-10 Dimming
- Multiple Finish combinations
- Wattage and CCT Selectable
- Interchangeable components
- Designed by Input Creative Studio

SPECIFICATIONS

Wattage	6W/9W/12W Selectable
Lumens	80LM/W
Color Temperature	2700K/3000K/3500K/4000K/5000K
CRI	80
Dimming	Triac/0-10V
Light Source	Integrated LED
Voltage	UNV 110-277
Base	Black/White
Trim	Black/White/Brass/Wood
Environment	Damp
Certification	ETL/ES
Dimension	4.5"W x 8.625"H x 2.5"D
Material	Aluminum
Application	Surface

FINISH



ORDERING GUIDE

INFS - RD - _____ - _____ - _____ - _____ *Example: INFS-27-BK-BK-RD*

Model	Shape	Wattage	Lumens	CCT	Base	Trim	Canopy
INFS	Round	6W	480LM	27 2700K	BK Black WT White CS Custom (Contact for requirements)	BK Black WT White BR Brass WD Wood CS Custom (Contact for requirements)	RD Round SQ Square
		9W	720LM	30 3000K			
		12W	960LM	35 3500K			
		Selectable		40 4000K			
				50 5000K			



INFUSE SERIES SURFACE CYLINDER ROUND

RAYHIL X INPUT CREATIVE STUDIO

FINISH

White Base



White trim



Black trim



Brass trim



Wood trim

Black Base



White trim



Black trim



Brass trim



Wood trim

Custom Finish

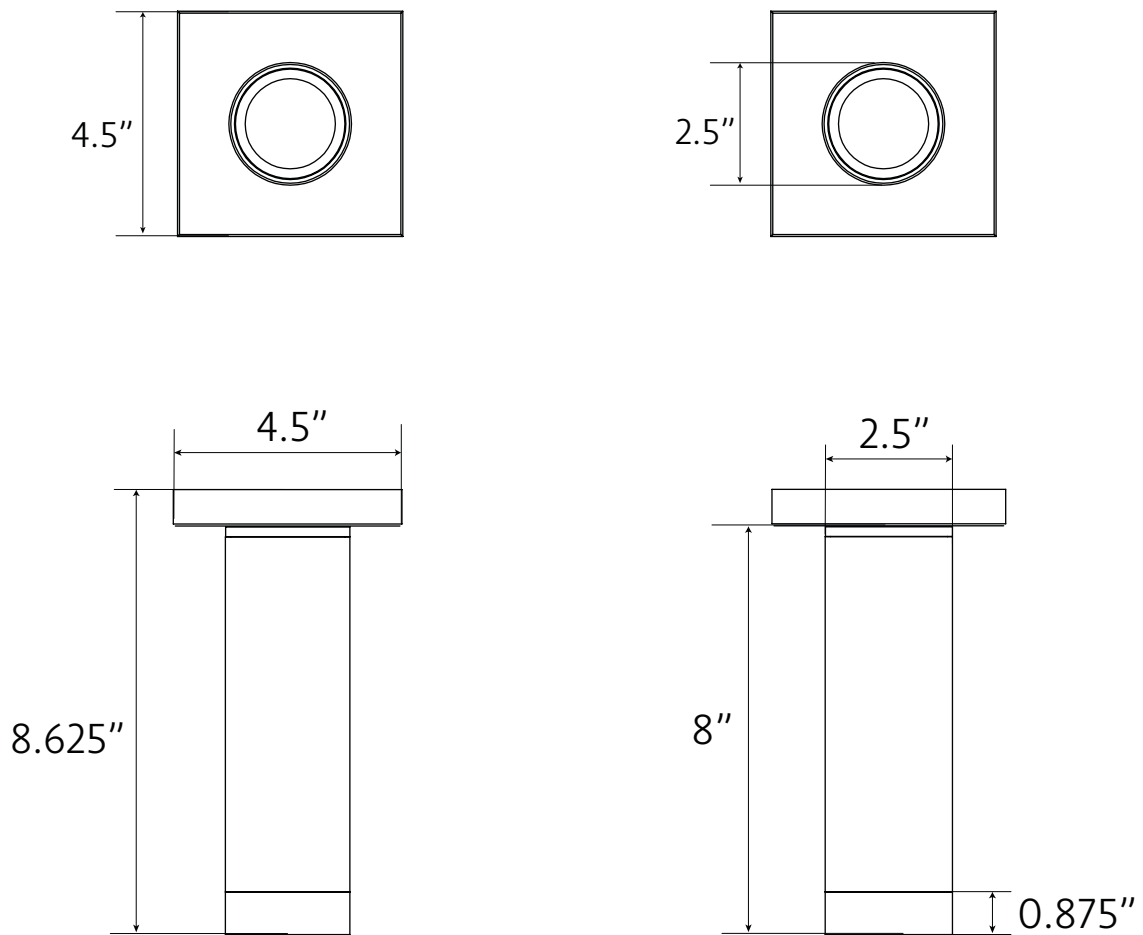
Custom finish requests are available for both Base and Trim



INFUSE SERIES SURFACE CYLINDER ROUND

RAYHIL X INPUT CREATIVE STUDIO

DIMENSIONS





INFUSE SERIES SURFACE CYLINDER ROUND

RAYHIL X INPUT CREATIVE STUDIO

Interchangeable Components

