



# INFUSE SERIES SURFACE CYLINDER SQUARE

RAYHIL X INPUT CREATIVE STUDIO



## FEATURES

- Universal Voltage
- Triac and 0-10 Dimming
- Multiple Finish combinations
- Wattage and CCT Selectable
- Interchangeable components
- Designed by Input Creative Studio

## SPECIFICATIONS

Wattage	6W/9W/12W Selectable
Lumens	80LM/W
Color Temperature	2700K/3000K/3500K/4000K/5000K
CRI	80
Dimming	Triac/0-10V
Light Source	Integrated LED
Voltage	UNV 110-277
Base	Black/White
Trim	Black/White/Brass/Wood
Environment	Damp
Certification	ETL/ES
Dimension	4.5"W x 8.625"H x 2.125"D
Material	Aluminum
Application	Wall Mount



## FINISH



## ORDERING GUIDE

INFS - SQ - \_\_\_\_\_ - \_\_\_\_\_ - \_\_\_\_\_ - \_\_\_\_\_ **Example: INFS-27-BK-BK-RD**

Model	Shape	Wattage	Lumens	CCT	Base	Trim	Canopy
INFS	Square	6W 9W 12W Selectable	480LM 720LM 960LM	<b>27</b> 2700K <b>30</b> 3000K <b>35</b> 3500K <b>40</b> 4000K <b>50</b> 5000K	<b>BK</b> Black <b>WT</b> White <b>CS</b> Custom (Contact for requirements)	<b>BK</b> Black <b>WT</b> White <b>BR</b> Brass <b>WD</b> Wood <b>CS</b> Custom (Contact for requirements)	<b>RD</b> Round <b>SQ</b> Square



# INFUSE SERIES SURFACE CYLINDER SQUARE

RAYHIL X INPUT CREATIVE STUDIO

## FINISH

### White Base



White trim



Black trim



Brass trim



Wood trim

### Black Base



White trim



Black trim



Brass trim



Wood trim

### Custom Finish

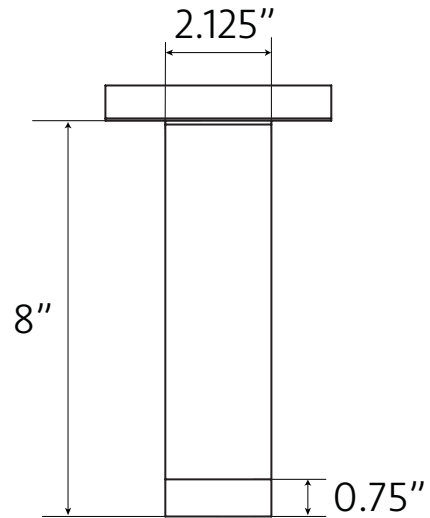
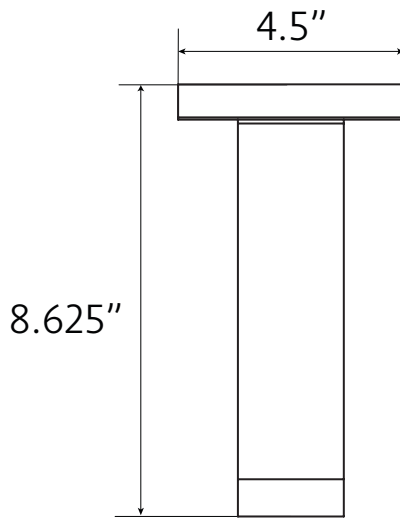
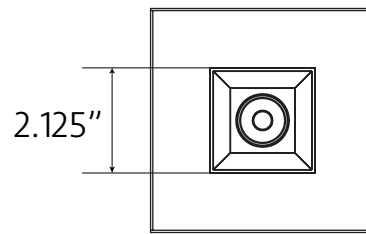
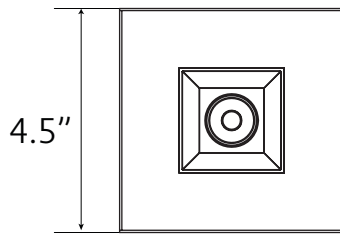
Custom finish requests are available for both Base and Trim



# INFUSE SERIES SURFACE CYLINDER SQUARE

RAYHIL X INPUT CREATIVE STUDIO

## DIMENSIONS





# INFUSE SERIES SURFACE CYLINDER SQUARE

RAYHIL X INPUT CREATIVE STUDIO

## Interchangeable Components

