



INFUSE SERIES PENDANT CYLINDER SQUARE

RAYHIL X INPUT CREATIVE STUDIO



FEATURES

- Universal Voltage
- Triac and 0-10 Dimming
- Multiple Finish combinations
- Wattage and CCT Selectable
- Interchangeable components
- Designed by Input Creative Studio

SPECIFICATIONS

Wattage	6W/9W/12W Selectable
Lumens	80LM/W
Color Temperature	2700K/3000K/3500K/4000K/5000K
CRI	80
Dimming	Triac/0-10V
Beam Angle	24°
Light Source	Integrated LED
Voltage	UNV 110-277
Base	Black/White
Trim	Black/White/Brass/Wood
Environment	Damp
Certification	ETL/ES
Dimension	4.5"W x 22.5"H x 2.125"D
Material	Aluminum
Application	Pendant

FINISH



ORDERING GUIDE

INFP - SQ - _____ - _____ - _____ - _____ - _____ *Example: INFP-27-BK-BK-CD-RD*

Model	Shape	Wattage	Lumens	CCT	Base	Trim	Pendant	Canopy
INFP	Square	6W 9W 12W Selectable	480LM 720LM 960LM	27 2700K 30 3000K 35 3500K 40 4000K 50 5000K	BK Black WT White CS Custom (Contact for requirements)	BK Black WT White BR Brass WD Wood CS Custom (Contact for requirements)	CD Cord ST Stem ST18 Stem 18" ST36 Stem 36" ST54 Stem 54"	RD Round SQ Square



INFUSE SERIES PENDANT CYLINDER SQUARE

RAYHIL X INPUT CREATIVE STUDIO

FINISH

White Base



White trim



Black trim



Brass trim



Wood trim

Black Base



White trim



Black trim



Brass trim



Wood trim

Custom Finish

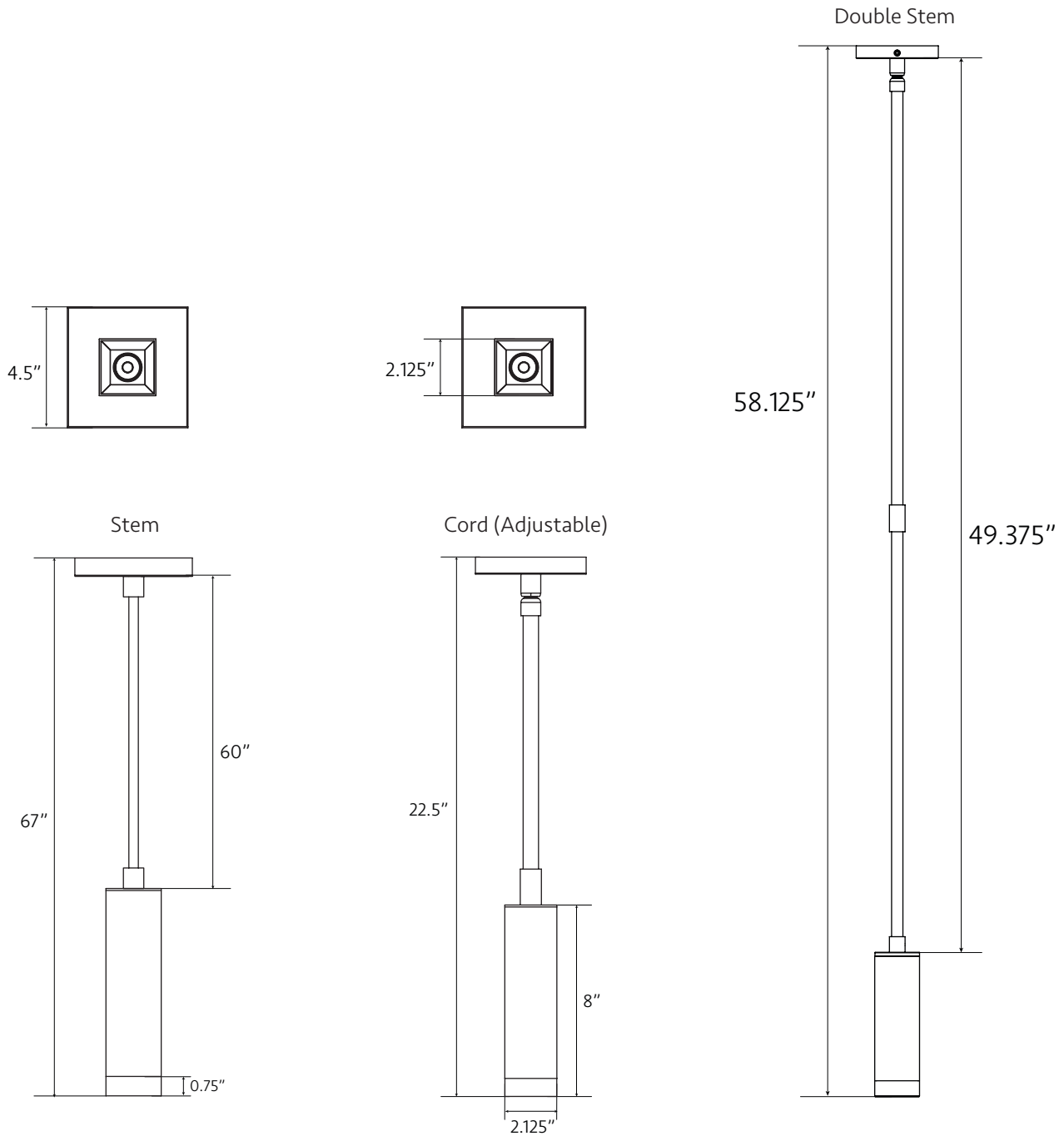
Custom finish requests are available for both Base and Trim



INFUSE SERIES PENDANT CYLINDER SQUARE

RAYHIL X INPUT CREATIVE STUDIO

DIMENSIONS





INFUSE SERIES PENDANT CYLINDER SQUARE

RAYHIL X INPUT CREATIVE STUDIO

Interchangeable Components

