



INFUSE SERIES PENDANT CYLINDER SQUARE

RAYHIL X INPUT CREATIVE STUDIO



FEATURES

- Universal Voltage
- Triac and 0-10 Dimming
- Multiple Finish combinations
- Wattage and CCT Selectable
- Interchangeable components
- Designed by Input Creative Studio

SPECIFICATIONS

Wattage	6W/9W/12W Selectable
Lumens	80LM/W
Color Temperature	2700K/3000K/3500K/4000K/5000K
CRI	80
Dimming	Triac/0-10V
Light Source	Integrated LED
Voltage	UNV 110-277
Base	Black/White
Trim	Black/White/Brass/Wood
Environment	Damp
Certification	ETL/ES
Dimension	4.5"W x 22.5"H x 2.125"D
Material	Aluminum
Application	Pendant

FINISH



INFP - SQ - _____ - _____ - _____ - _____ - _____

Example: INFP-27-BK-BK-CD-RD

Model	Shape	Wattage	Lumens	CCT	Base	Trim	Pendant	Canopy
INFP	Square	6W	480LM	27 2700K	BK Black	BK Black	CD Cord ST Stem ST Stem Mount Ultra (Intervals of 6" or 12")	RD Round SQ Square
		9W	720LM	30 3000K	WT White	WT White		
		12W	960LM	35 3500K	CS Custom	BR Brass		
		Selectable	40 4000K	(Contact for requirements)	WD Wood			
		50 5000K	(Contact for requirements)	CS Custom	(Contact for requirements)			



INFUSE SERIES PENDANT CYLINDER SQUARE

RAYHIL X INPUT CREATIVE STUDIO

FINISH

White Base



White trim



Black trim



Brass trim



Wood trim

Black Base



White trim



Black trim



Brass trim



Wood trim

Custom Finish

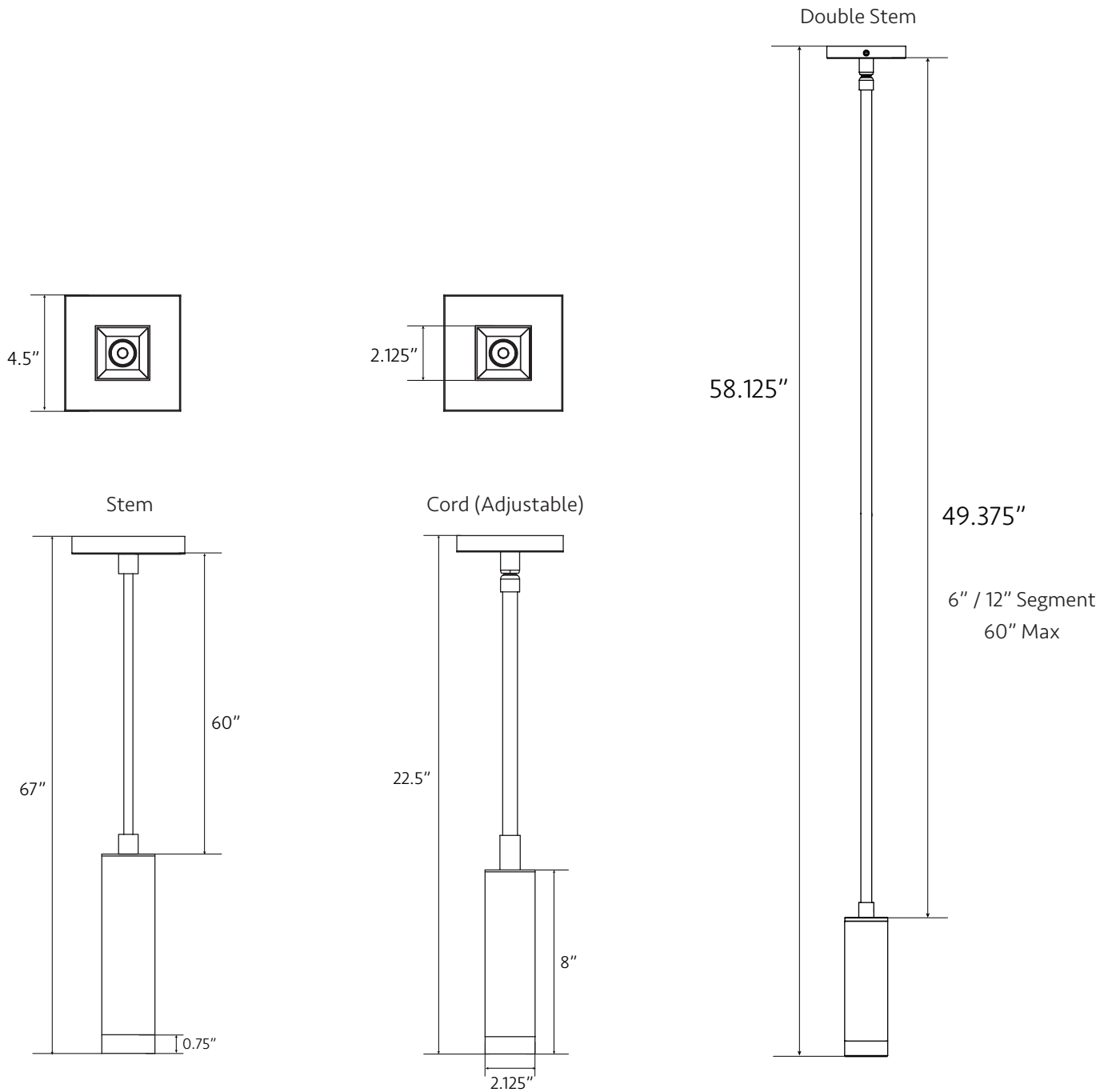
Custom finish requests are available for both Base and Trim



INFUSE SERIES PENDANT CYLINDER SQUARE

RAYHIL X INPUT CREATIVE STUDIO

DIMENSIONS





INFUSE SERIES PENDANT CYLINDER SQUARE

RAYHIL X INPUT CREATIVE STUDIO

Interchangeable Components

