



INDIGO SCONCE

RAYHIL X INPUT CREATIVE STUDIO

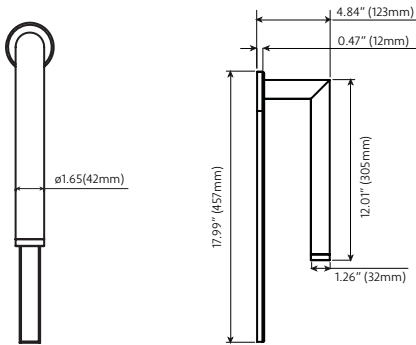


SPECIFICATIONS

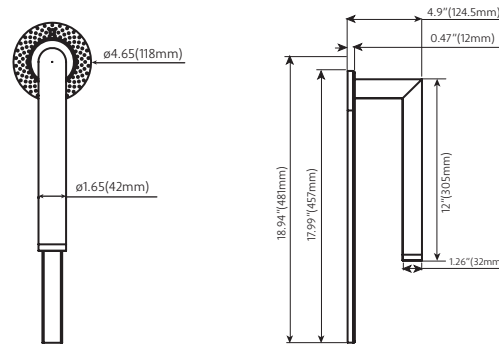
Wattage	10W
Color Temperature	2700K
Lumens	350LM
Dimming	Triac
Light Source	Integrated LED
CRI	80
Voltage	24V (Remote Driver) / 120V (Integrated Driver)
Finish	Chrome and Walnut wood
Environment	Damp
Certification	ETL
Dimension	H17.99" x D4.84" / H17.99" x D4.90"
Mounting	24V (Bracket mounted) / 120V (Plaster-in + bracket mounted)

DIMENSIONS

24V Option



120V Option



ORDERING GUIDE

IND - 10 - 27 - _____ - WWC

Example: IND-10-27-24-WWC

Model	Wattage	CCT	Voltage	Finish
IND	10W	2700K	24V (Remote Driver) 120V (Intergrated Driver)	Walnut Wood (Housing) & Chrome (Ring/Base)