



# FLORA 31

## DIRECTIONAL LANDSCAPE

TERRAIN SERIES



### FEATURES

- Landscape Spike application
- IK04 Rating
- Tilttable and rotatable head
- Multiple Beam angles available

### SPECIFICATIONS

Wattage	3W/8W	IK Rating	IK04
Lumens	560-640LM	LED	8W CREE COB LED
Input Voltage	DC 24V	Housing	Soild Passivated Aluminum CNC machined
CCT	2700K/3000K/4000K/6000K	Finish	Gray
CRI	80+	Dimension	1.7" D x 3.5" H
Beam Angle	10°/ 23°/ 38°	Driver	Built-in high voltage constant current driver
Lens	15°/ 24°/ 36°/ 60° + honey comb optional	Accessories	Spike/Round base
Dimming	Non-Dimmable	Warranty	3 Years
IP Rating	IP67	Certification	CE, RoHS

### ORDERING GUIDE

F31 - \_\_\_\_\_ - \_\_\_\_\_ - \_\_\_\_\_ *Example: F31-3-27-15-GA*

Model	Wattage	Color Temp.	Optics	Finish	Optional Accessories
F31	<b>3</b> 3W	<b>27</b> 2700K	<b>10</b> 10°	<b>GA</b> Gray	Spike (Included with fixture)
	<b>8</b> 8W	<b>30</b> 3000K	<b>24</b> 23°		
		<b>40</b> 4000K	<b>38</b> 38°		
		<b>60</b> 6000K			

**QUICKSHOP OPTION: F31-8-30-24-GA**



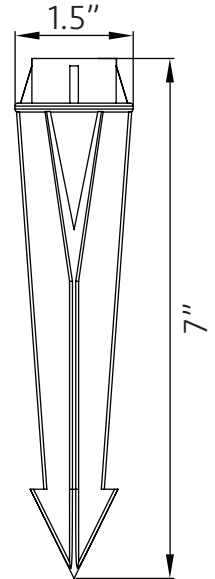
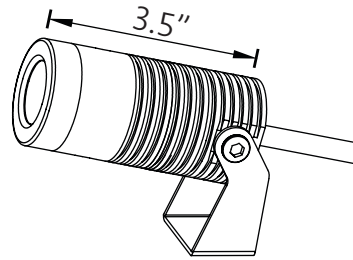
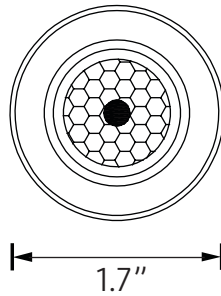
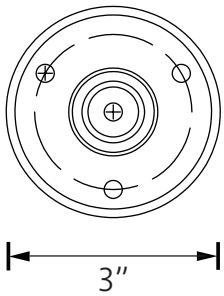


# FLORA 31

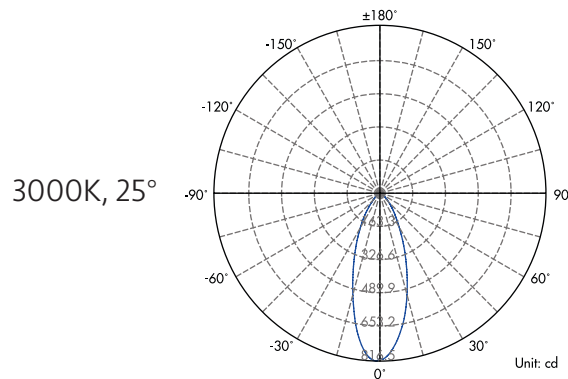
## DIRECTIONAL LANDSCAPE

TERRAIN SERIES

### DIMENSIONS



### LIGHT DISTRIBUTION CURVE





# FLORA 31

## DIRECTIONAL LANDSCAPE

TERRAIN SERIES

### NON-DIMMABLE DRIVERS



Model	LB55504
Wattage	60W
Dimensions	7.4" x 3.6" x 1.02"
Temperature	IP20
Dimming	Non-Dimmable



Model	LB55450
Wattage	120W
Dimensions	8.66" x 3.6" x 1.61"
Temperature	IP20
Dimming	Non-Dimmable



Model	LB55451
Wattage	200W
Dimensions	10.23" x 4.05" x 1.81"
Temperature	IP20
Dimming	Non-Dimmable

*\*Flora Landscape Light Fixture are not compatible with Dimmable Drivers*