



LCD LUCID ROUND DOUBLE

RECESSED LED DOWNLIGHT



FEATURES

- Ultra slim 1.25" height
- Interchangeable trim rings
- Universal voltage
- 5 CCT selectable

SPECIFICATIONS

Wattage	2 x 12W
Lumens	1920LM
Input Voltage	120-277V
CCT	27K/30K/35K/40K/50K/ 5 CCT SELECT
CRI	90
Beam Angle	90°
Dimming	Triac & 0-10V
Efficacy	80W/LM
Environment	Damp Location
Material	Aluminum
Operating Temperature	-25°C - 40°C
Certification	ETL
Cut Out	8.625"W x 3.875" H

ORDERING GUIDE

LCD-RDD - _____ - UNV - _____ **Example: LCD-RDD-27-UNV-WT**

Model	Wattage	Lumens	Color Temperature	Input Voltage	Beam Angle	Trim Finish
LCD-RDD	2x12W	1920LM	27 2700K	UNV 120-277V	90 90°	WT White
			30 3000K			BK Black
			35 3500K			BN Brushed Nickel
			40 4000K			BR Brass
			50 5000K			WD Wood
			5CCT 5CCT Selectable			CC Custom (Inquire)

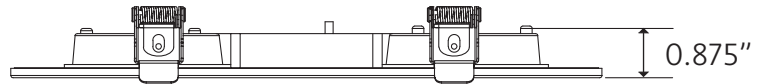
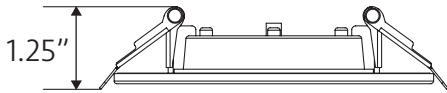
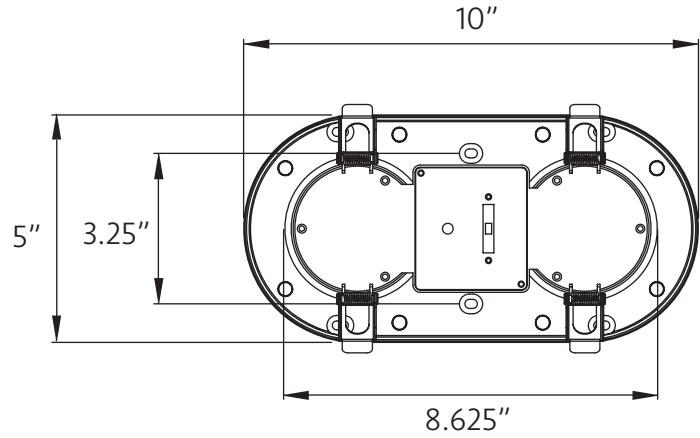
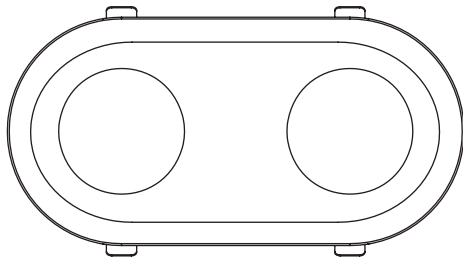
* NCH-LCD - New Construction Plate



LCD LUCID ROUND DOUBLE

RECESSED LED DOWNLIGHT

DIMENSIONS





LCD LUCID ROUND DOUBLE

RECESSED LED DOWNLIGHT

NEW CONSTRUCTION PLATE

