



CYL REVOLVE

CYLINDER



FEATURES

- Ideal for new construction and remodeling applications
- Dimmable
- Suitable for damp locations
- Selectable color temperature
- Interchangeable mounting options
- Black and White finish options
- Universal voltage

Mounting Options

- Surface
- Mud-In Trimless
- Pendant Cord (49" Adjustable)
- Stem Mount (5" Stackable Configurations)

SPECIFICATIONS

Wattage	20W	CRI	90
Input Voltage	120V - 277V	Environment	Damp Locations
Efficacy	90lm/W	Beam Angle	40°
Lumens	1800LM	Lamp Life	50,000hr
Color Temperature	27K, 30K, 35K, 40K, 50K(CCT adj.)	Operating Temperature	-4°C ~ 104°C
Dimming	Triac/ 0-10V		





CYL REVOLVE

CYLINDER

ORDERING GUIDE

CYL - 20 - CCT- _____ **Example: CYL-20-CCT-WT**

Model	Wattage	Lumens	Color Temperature	Voltage	Finish
CYL	20W	1800lm	CCT Adj (2700K/3000K/3500K/4000K/5000K)	120-277	WT White BK Black

MOUNTING KIT

CYL - _____ - _____ - _____ **Example: CYL-SFC-WT-EM**

Model	Mounting Option	Finish	EM
CYL	SFC Surface	WT White BK Black	EM
	TMS Trimless		(Leave blank for non-em)
	PDT Pendant		
	ST Stem Monopoint		
	ST ___ Stem Mount Ultra (Intervals of 6" or 12")		
	STU ___ Stem Mount Ultra Slim Canopy (Intervals of 6" or 12")		
	STR ___ Stem Mount Ultra Recessed Canopy (Intervals of 6" or 12")		

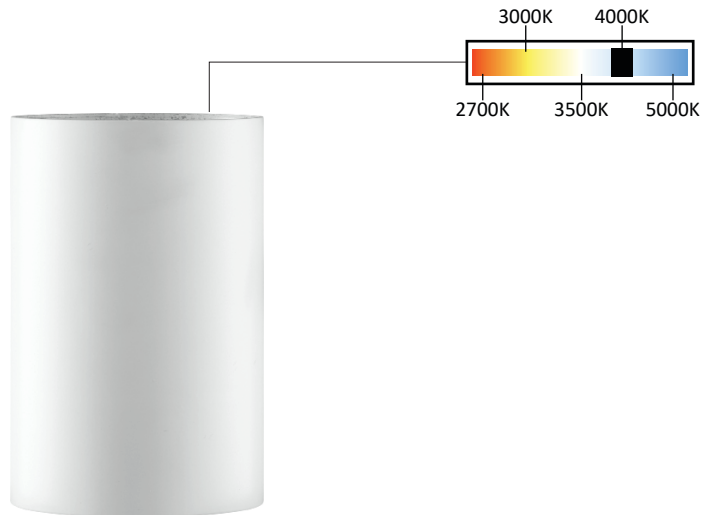


CYL REVOLVE

CYLINDER



Twist off mounting kit and quick connect wires allow for quick and efficient installation.



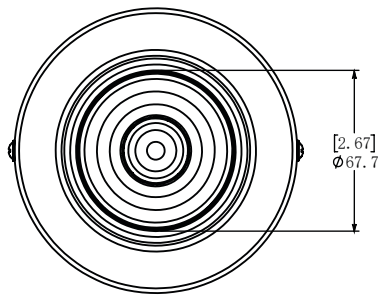


CYL REVOLVE

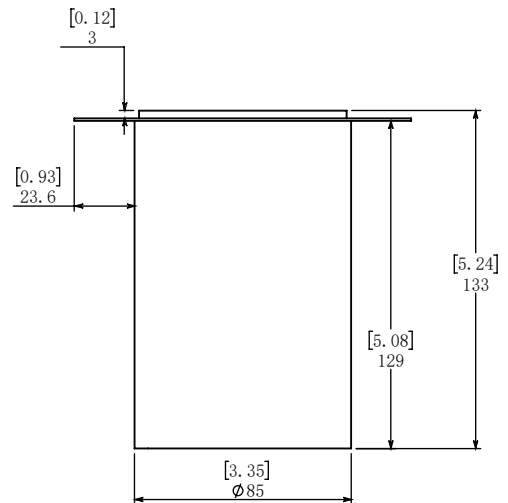
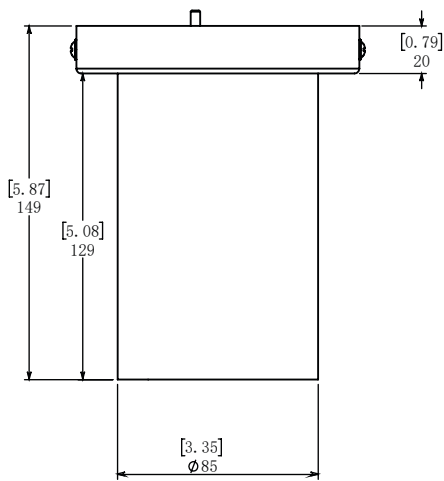
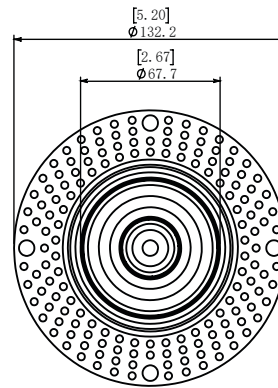
CYLINDER

DIMENSION

Surface Mount



Trimless Mount

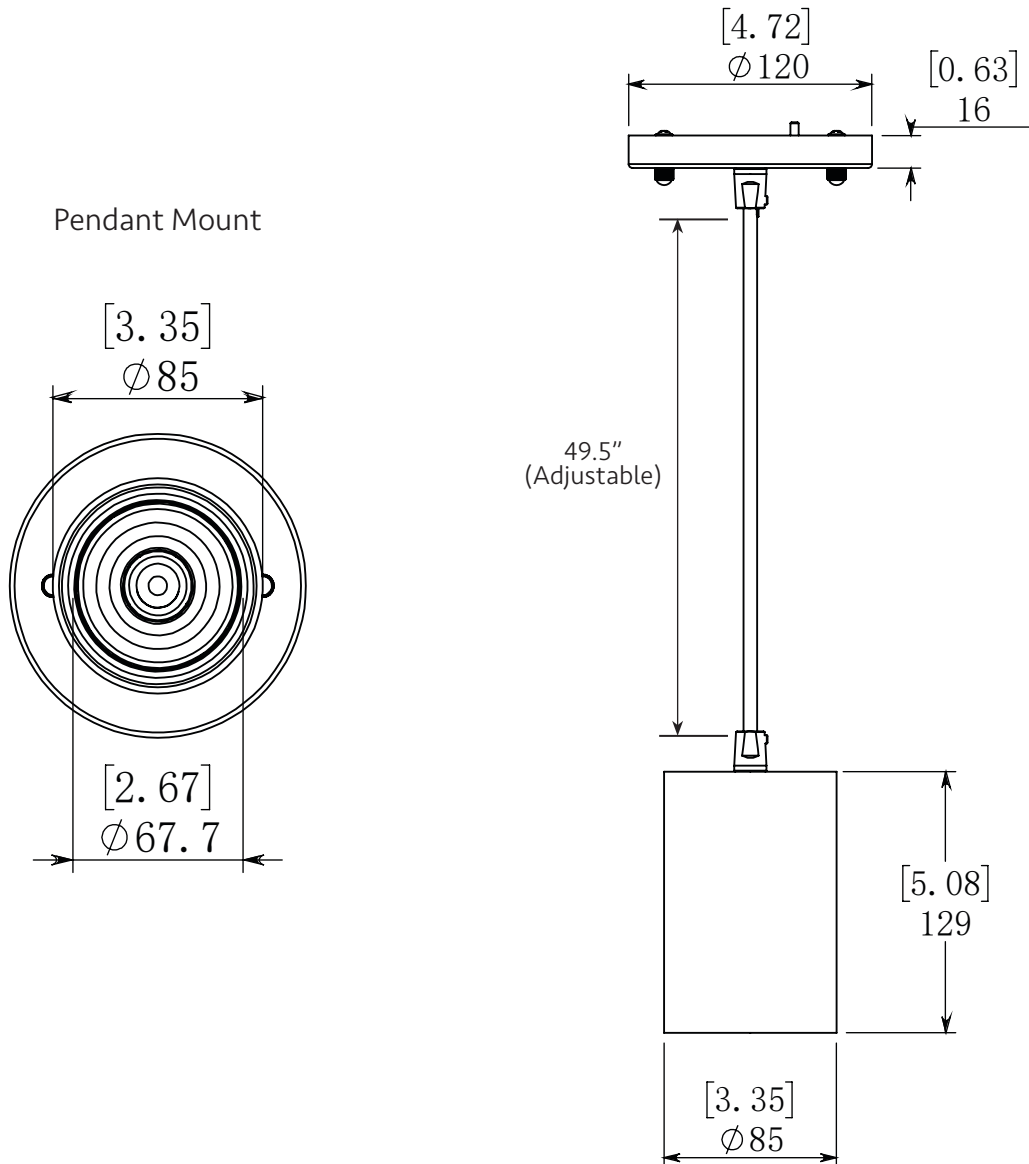




CYL REVOLVE

CYLINDER

DIMENSION





CYL REVOLVE

CYLINDER

AVAILABLE CANOPY



Stem Mount Ultra

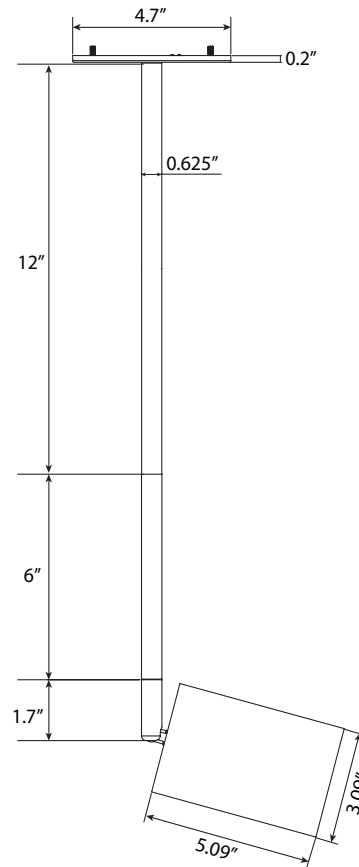
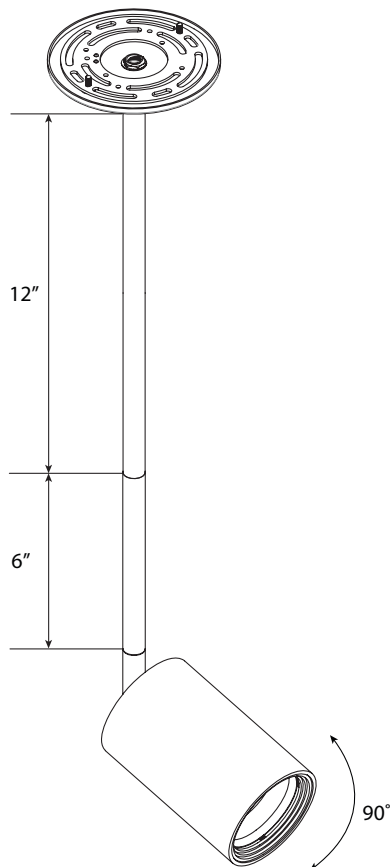


Stem Mount Ultra Slim Canopy



Stem Mount Ultra Recessed Canopy

DIMENSION





CYL REVOLVE

CYLINDER

EM BATTERY

SPECIFICATIONS

Input Voltage	100-34 7Vac, 50/60Hz
Input Current	0.1A MAX
Input Power	12W MAX
Output Voltage	170V DC
Output Power	20W
Application	≤150W (0-10V Dimmable Fixture) ≤20W LED Lamps without dimming function
Ambient Temperature	Damp Locations



CAUTION:

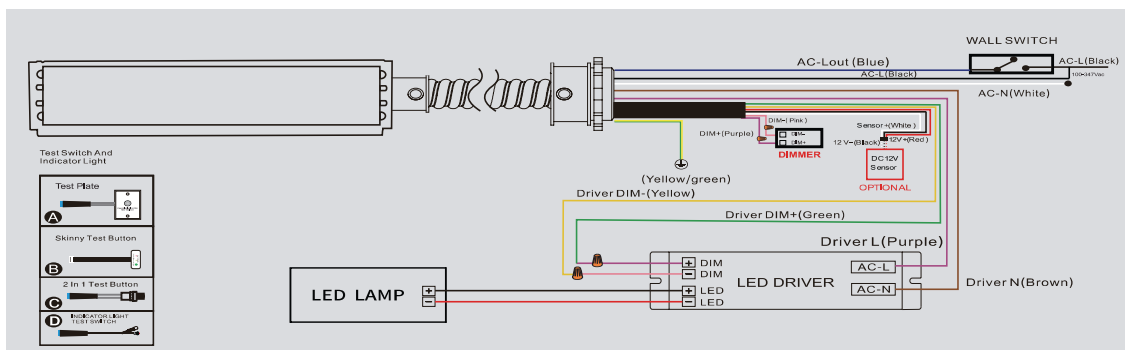
1. The Emergency LED driver must connect to 0/1-10V dimming wires (DIM+, DIM-) of the fixture if the LED luminaire power is exceed the emergency LED driver power.
2. In emergency mode, double-click this test switch to turn off the current emergency state.

WIRING DIAGRAM

Wiring 1 : For LED Driver with Input Power Higher Than Emergency Output Power

0/1-10V Dimmable LED Driver+ Dimmer Switch

Emergency Driver Dim+(Green), Driver Dim-(Yellow) Have to connect with LED driver DIM+ and DIM-

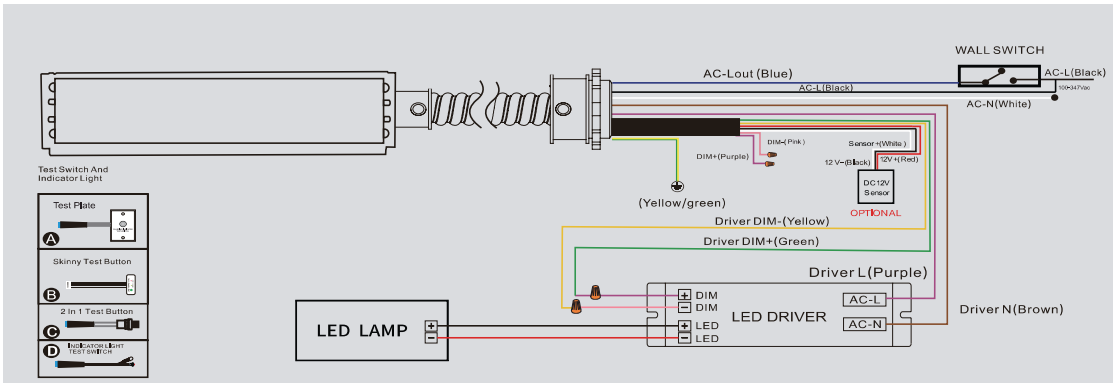




Wiring 2 : For LED Driver With Input Power Higher Than Emergency Output Power

0/1-10V Dimmable LED Driver+ Wall Switch

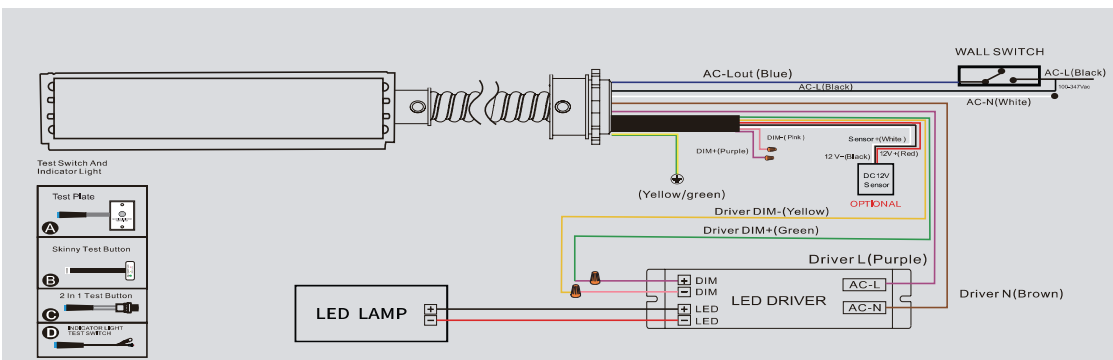
Emergency Driver Dim+(Green) , Driver Dim-(Yellow) Have to connect with LED driver DIM+ and DIM-



Wiring 2 : For LED Driver With Input Power Higher Than Emergency Output Power

0/1-10V Dimmable LED Driver+ Wall Switch

Emergency Driver Dim+(Green) , Driver Dim-(Yellow) Have to connect with LED driver DIM+ and DIM-



IMPORTANT SAFEGUARDS

When using electrical equipment, basic safety precautions should always be followed including the following

PLEASE READ AND FOLLOW ALL SAFETY INSTRUCTIONS.

CAUTION:RISK OF SHOCK-disconnect emergency and normal input power sources before servicing any equipment connected to this unit.

CAUTION:Risk of fire or electric shock-This emergency battery pack installation requires knowledge of luminaire and electrical systems.

CAUTION:Service of this equipment should be performed by qualified personnel only

CAUTION:Before installation, make certain the AC power to fixture is off.

CAUTION:Verify that all replacement lamp types marked on the installed luminaire are also identified as suitable for use with this emergency battery pack.

CAUTION:Suitable for use in 5°C -50°C ambient temperatures.

IMPORTANT: An unswitched AC power source is required (100-347 VAC, 50/60 Hz). This device is designed for fixtures listed for dry and damp locations.

IMPORTANT: Customers are advised to charge emergency LED driver 24 hours every 6 months during storage

CAUTION:Do not use outdoors. Do not mount near gas or electric heaters.

CAUTION:Equipment should be mounted in locations and at heights where it will not be subjected to tampering by unauthorized personnel.

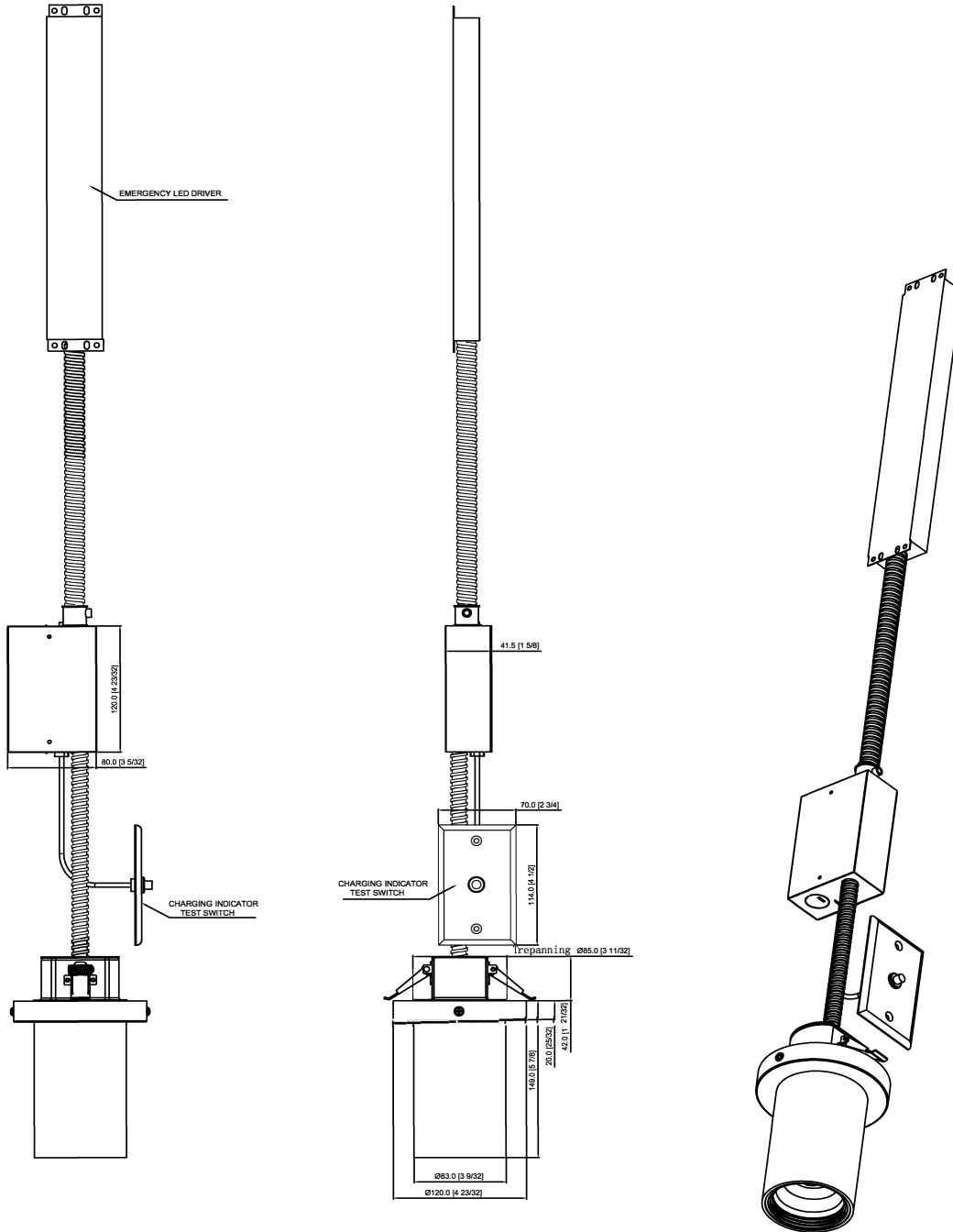
CAUTION:The use of accessory equipment not recommended by the manufacturer may cause an unsafe condition The emergency battery pack is not for in an air-handling fixture.

CAUTION:Do not use this equipment for other than its intended use.



CYL REVOLVE CYLINDER

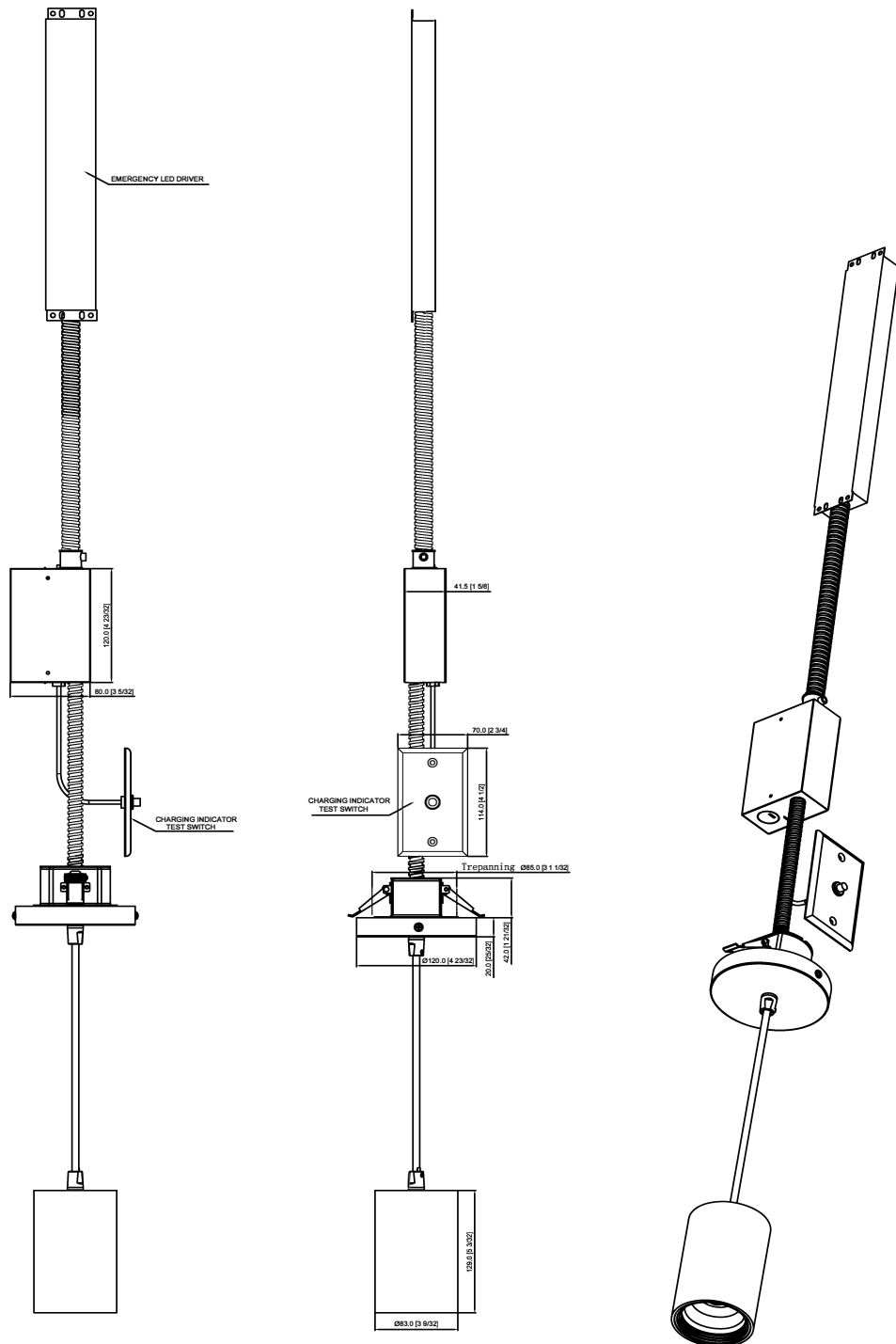
Emergency Battery for Surface Mount Kit





CYL REVOLVE CYLINDER

Emergency Battery for Pendant Mount Kit





CYL REVOLVE

CYLINDER

COMPATIBLE DIMMERS

LUTRON	LOAD (W)
SKYLARK CONTOUR LECL-153P	150W
SKYLARK CONTOUR CTCL-150H	150W
SKYLARK CONTOUR LGCL-153PLH	150W
SKYLARK CONTOUR CTCL-153P	150W
SKYLARK CONTOUR SCL-153P	150W
SKYLARK CONTOUR S-600P	600W
CASETA PD-6WCL	600W
CASETA PD-5NE	150W
CASETA PD-10NXD	250W
DIVA DVCL-153P	150W
TOGGLER TGCL-153P	150W
ARIADNI AYCL-153P	150W
MAESTRO MACL-153M	150W

LEVITON	LOAD (W)
ILLUMATEC IPL06	150W
SURESLIDE 6672	150W
SURESLIDE 6674	150W
EATON	
SMART DIMMER AAL06	300W
PASS & SEYMOUR	
HARMONY DCL453PTCCCV6	150W
GE	
ROCKER 10464	150W
TOGGLE 18027	150W