



ARKC ANCHOR COVE WALL WASHER

TERRAIN SERIES



FEATURES

- Multiple lengths available
- Powder coated aluminum body
- 8 watt per foot
- UL listed
- 150 Degree Rotatable
- 5 Year warranty

SPECIFICATIONS

Color Temperature	1800K, 2700K, 3000K, 4000K, 6500K	Surface Finishing	Power Coat
Length	1FT, 2FT, 4FT	Rotation	150°
Power Consumption	8W/FT	CRI	85
Dimming	Triac/ELV/0-10/Dali/On-Off	Delivered Output	85LM/W
Dimming Range	10%-100%	Operating Temperature	-20°C to 40°C
Housing Material	Aluminum	Ingress Protection Rating	IP20
Input Voltage	120V/240V/100-277V	Certification	UL

ORDERING GUIDE

ARKC- _____ - _____ - _____ - _____ - _____ - _____ *Example: ARKC-1-18-120-TRA-15-BK*

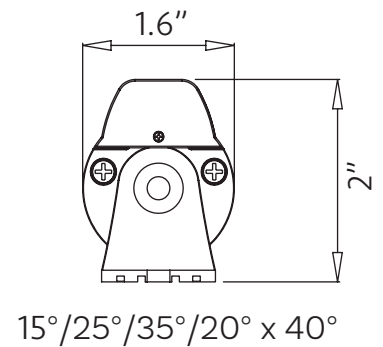
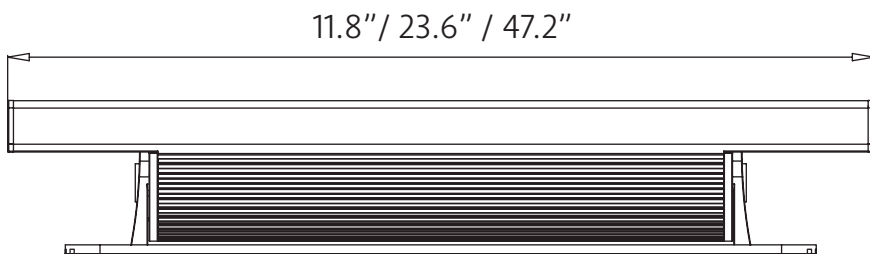
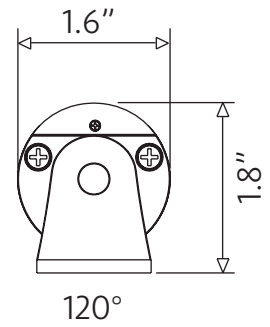
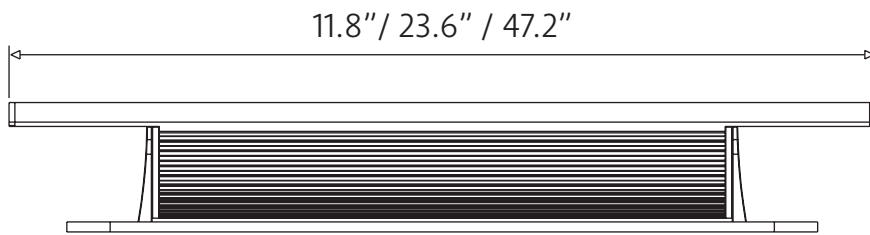
Model	Length	CCT		Voltage		Dimming		Optics	Finish
ARKC	1 1FT	18K	1800K	120	120V	TRA	Triac	15°	BK Black WT White
	2 2FT	27K	2700K	240	240V	ELV	ELV	25°	
	4 4FT	30K	3000K	UNV	100-277V	O-10	0-10V	35°	
		40K	4000K			DLI	DALI	120°	
		65K	6500K			OF	ON/OFF	20° x 40°	



ARKC ANCHOR COVE WALL WASHER

TERRAIN SERIES

DIMENSIONS





ARKC ANCHOR COVE WALL WASHER

TERRAIN SERIES

FINISHES

Rotatable - 150 Degree

