



FLORA 11

IN-GROUND

TERRAIN SERIES



FEATURES

- Stainless Steel Finish
- Multiple Color Temperature Available
- IK09 Rating
- Multiple Output options

SPECIFICATIONS

Wattage	3W/6W/12W/15W	LED	CREE COB LED
Input Voltage	DC24V	Housing	Sold Passivated Aluminum CNC machined
CCT	2700K/3000K/4000K/6000K	Trim	Stainless steel
CRI	80+	Cut Out	2.1"/2.1"/3.9"/3.9"
Beam Angle	15°/23/38°/45°/60°	Driver	Built-in high voltage constant current driver
Dimming	Non-Dimmable	Accessories	Mounting sleeve/ Honeycomb
IP Rating	IP67	Warranty	3 Years
IK Rating	IK09	Certification	CE, RoHS

ORDERING GUIDE

F11 - _____ - _____ - _____ *Example: F11-3-27-15-ST*

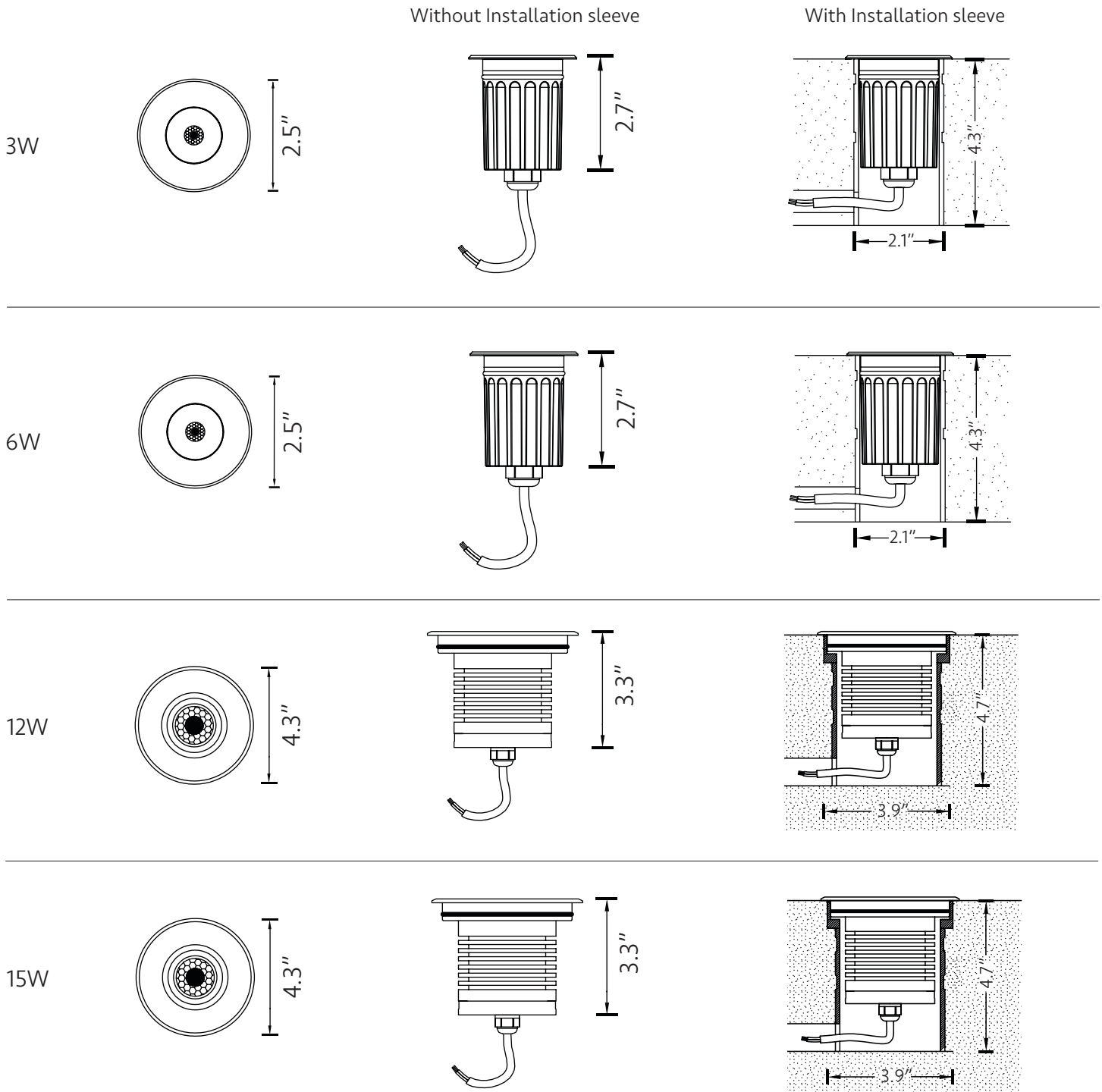
Model	Wattage	Lumen	Dimension	Color Temp.	Beam Angle	Finish	Optional Accessories
F11	3 3W	250LM	2.5" D x 2.7" H	27 2700K	15 15°	ST Stainless Steel	Installation Sleeve (Included with fixture)
	6 6W	500LM	2.5" D x 2.7" H	30 3000K	23 23°		
	12 12W	1100LM	4.3" D x 3.3" H	40 4000K	38 38°		
	15 15W	1450LM	4.3" D x 3.3" H	60 6000K	45 45°		
					60 60°		





FLORA 11 IN-GROUND TERRAIN SERIES

DIMENSIONS





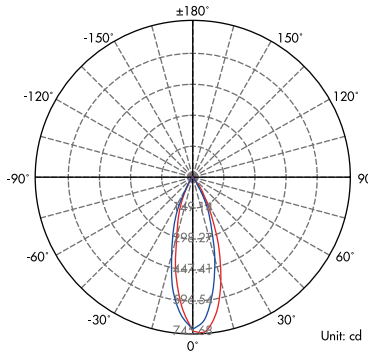
FLORA 11

IN-GROUND

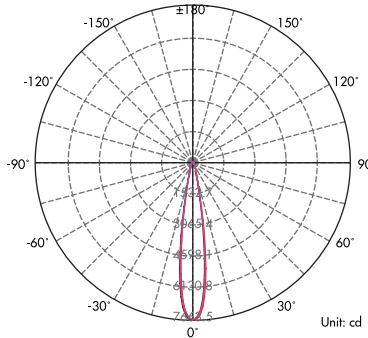
TERRAIN SERIES

LIGHT DISTRIBUTION CURVE

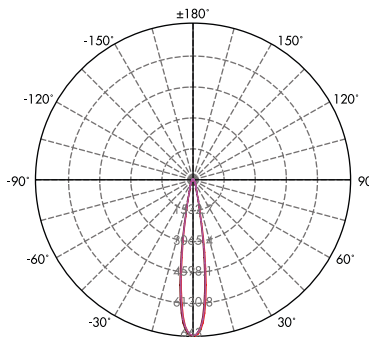
6W, 3000K, 36°



12W, 3000K, 10°
COB Lens



15W, 3000K, 10°





FLORA 11

IN-GROUND

TERRAIN SERIES

NON-DIMMABLE DRIVERS



Model	LB55504
Wattage	60W
Dimensions	7.4" x 3.6" x 1.02"
Temperature	IP20
Dimming	Non-Dimmable



Model	LB55450
Wattage	120W
Dimensions	8.66" x 3.6" x 1.61"
Temperature	IP20
Dimming	Non-Dimmable



Model	LB55451
Wattage	200W
Dimensions	10.23" x 4.05" x 1.81"
Temperature	IP20
Dimming	Non-Dimmable

**Flora Landscape Light Fixture are not compatible with Dimmable Drivers*