



FLORA 13

360 DEGREE IN-GROUND

TERRAIN SERIES



FEATURES

- 360 Degree Light Spread
- Stainless Steel Trim
- IK10 Rating
- Deck or Concrete Application

SPECIFICATIONS

Wattage	4W	LED	2835 SMD LED
Lumens	140-150LM	Housing	Soild Passivated Aluminum CNC machined
Input Voltage	DC 24V	Trim	Stainless steel
CCT	2700K/3000K/4000K/6000K/RGB	Cut Out	2.1"
CRI	80+	Dimension	3" D x 1.5" H
Beam Angle	360°	Driver	Low Voltage constant current output
Dimming	Non-Dimmable	Accessories	Mounting sleeve
IP Rating	IP67	Warranty	3 Years
IK Rating	IK10	Certification	CE, RoHS

ORDERING GUIDE

F13 - _____ *Example: F13-4-30-360-ST*

Model	Wattage	Color Temp.	Optics	Finish	Optional Accessories
F13	4 4W	27 2700K 30 3000K 40 4000K 60 6000K RGB RGB	360 360°	ST Stainless Steel	Installation Sleeve (Included with fixture)

QUICKSHOP OPTION: F13-4-30-360-ST



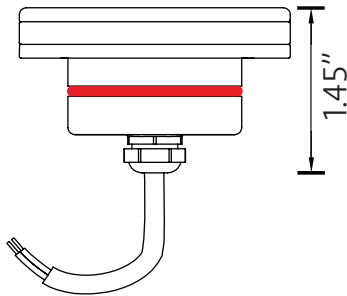
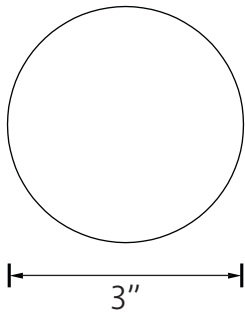


FLORA 13

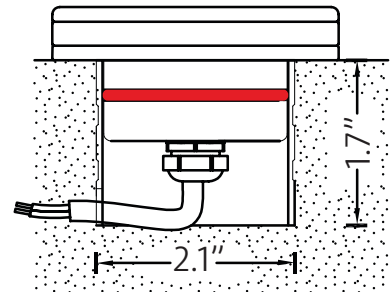
360 DEGREE IN-GROUND

TERRAIN SERIES

DIMENSIONS

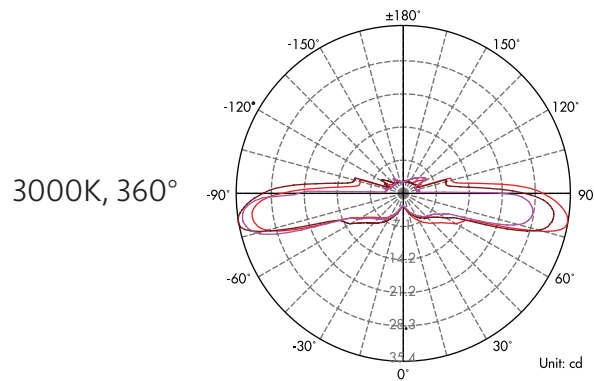


Without Installation sleeve



With Installation sleeve

LIGHT DISTRIBUTION CURVE





FLORA 13

360 DEGREE IN-GROUND

TERRAIN SERIES

NON-DIMMABLE DRIVERS



Model	LB55504
Wattage	60W
Dimensions	7.4" x 3.6" x 1.02"
Temperature	IP20
Dimming	Non-Dimmable



Model	LB55450
Wattage	120W
Dimensions	8.66" x 3.6" x 1.61"
Temperature	IP20
Dimming	Non-Dimmable



Model	LB55451
Wattage	200W
Dimensions	10.23" x 4.05" x 1.81"
Temperature	IP20
Dimming	Non-Dimmable

**Flora Landscape Light Fixture are not compatible with Dimmable Drivers*