



# FLORA 21

## CIRCULAR IN-WALL

### TERRAIN SERIES



## FEATURES

- 30 Degree Beam Angle
- Aluminum Body
- IK06 Rating
- Wall Application

## SPECIFICATIONS

Wattage	3W	LED	CREE XPE LED
Lumens	130LM	Housing	Powder coated in black aluminium
Input Voltage	DC 24V	Trim	Powder coated in black aluminium
CCT	2700K/3000K/4000K	Cut Out	2.4"
CRI	80+	Dimension	2.7" D x 1.35" H
Beam Angle	30°	Driver	Low Voltage constant current output
Dimming	Non-Dimmable	Accessories	Mounting Sleeve Included
IP Rating	IP65	Warranty	3 Years
IK Rating	IK06	Certification	CE, RoHS

## ORDERING GUIDE

F21 - \_\_\_\_\_ *Example: F21-3-27-120-BK*

Model	Wattage	Color Temp.	Optics	Finish	Optional Accessories
F21	<b>3</b> 3W	<b>27</b> 2700K <b>30</b> 3000K <b>40</b> 4000K	<b>120</b> 120°	<b>BK</b> Black	Installation Sleeve (Included with fixture)

**QUICKSHOP OPTION: F21-3-30-120-BK**



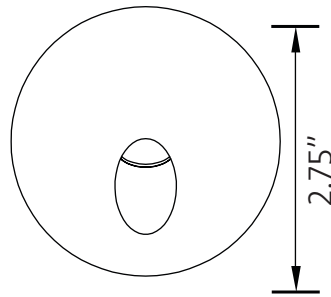


# FLORA 21

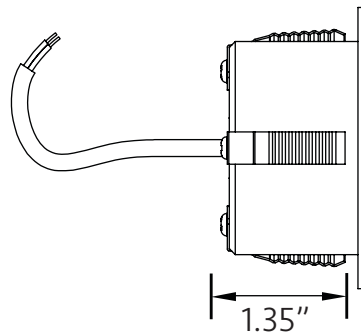
## CIRCULAR IN-WALL

TERRAIN SERIES

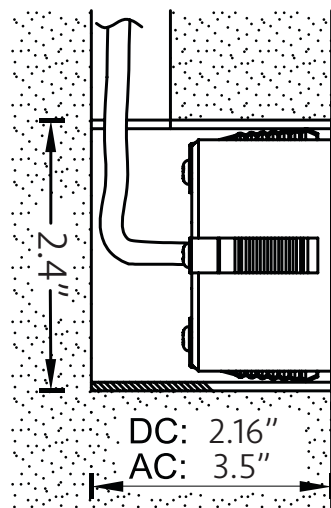
### DIMENSIONS



Without Sleeve



With Sleeve





# FLORA 21

## CIRCULAR IN-WALL

### TERRAIN SERIES

#### NON-DIMMABLE DRIVERS



Model	LB55504
Wattage	60W
Dimensions	7.4" x 3.6" x 1.02"
Temperature	IP20
Dimming	Non-Dimmable



Model	LB55450
Wattage	120W
Dimensions	8.66" x 3.6" x 1.61"
Temperature	IP20
Dimming	Non-Dimmable



Model	LB55451
Wattage	200W
Dimensions	10.23" x 4.05" x 1.81"
Temperature	IP20
Dimming	Non-Dimmable

*\*Flora Landscape Light Fixture are not compatible with Dimmable Drivers*