



LUCID ROUND DIMAOND LENS



FEATURES

- Edge-lit technology
- Dimming: Triac down to 10%
- Suitable for wet location
- 50,000 Hour lifetime
- 5 CCT selectable

SPECIFICATIONS

Wattage	12W	Efficacy	83.3LM/W
Lumens	1000LM	Environment	Wet Location
Input Voltage	120V/120-277V	Material	Aluminum
CCT	27K/30K/35K/40K/50K/ 5 CCT SELECT	Operating Temperature	-20°C - 40°C
CRI	90	Certification	ETL
Beam Angle	15° / 24° / 36° / 50°	Cut Out	4.11"
Dimming	Triac		

ORDERING GUIDE

LCD - RD - LS - 12 - _____ - _____ - _____ - _____ - _____ *Example: LCD-RD-LS-12-CCT-120-15-WT - EM*

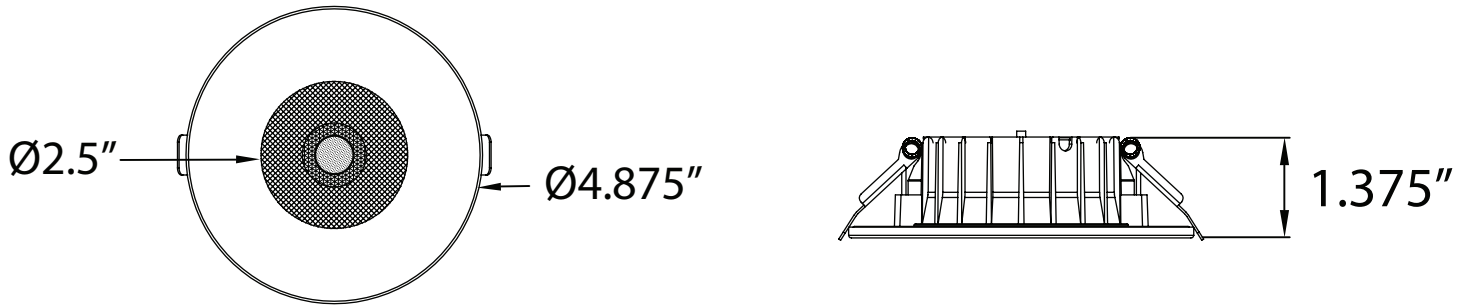
Model	Wattage	Lumens	Color Temperature	Input Voltage	Beam Angle	Trim Finish	EM
LCD-RD-LS	12W	1000LM	27 2700K	120 120V	15 15°	WT White	EM
			30 3000K			UNV 120-277V	
			35 3500K	50 50°	BN Brushed Nickel		
			40 4000K		BZ Bronze		
			50 5000K		CP Copper		
			5CCT 5CCT Selectable				

*Stock Configuration: LCD-RD-LS-12-CCT-120-36-WT

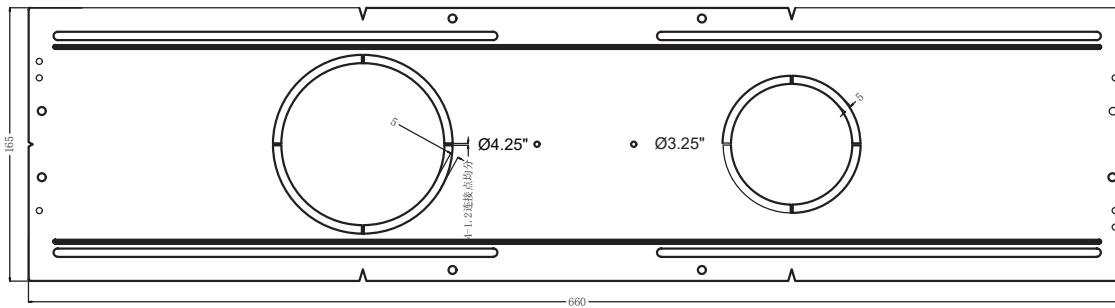


LUCID ROUND DIMAOND LENS

DIMENSIONS



NEW CONSTRUCTION PLATE

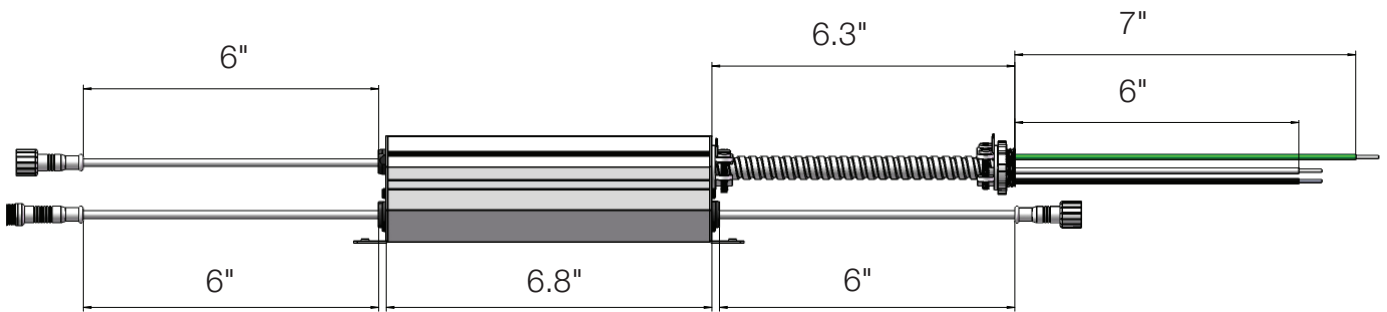
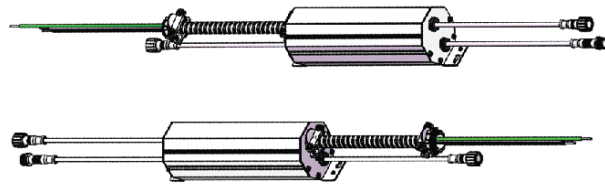




LUCID ROUND DIMAOND LENS

EMERGENCY BACK UP DRIVER RAD25/35-EM

90 minute run time
See spec sheet for for further information





LUCID ROUND DIMAOND LENS

DIMMER COMPATIBLE LIST

BRAND	SERIES	MODEL	LOAD
LUTRON	SKYLARK CONTOUR	LECL-153P	150W
		CTCL-150H	150W
		LGCL-153PLH	150W
		CTCL-153P	150W
		SCL-153P	150W
		S-600P	600W
	CASETA	PD-6WCL	150W
		PD-5NE	150W
		PD-10NXD	250W
		DIVA	DVCL-153P
	TOGGLER	TGCL-153P	150W
	ARIADNI	AYCL-153P	150W
	MAESTRO	MACL-153M	600W
LEVITON	ILLUMATECH	IPL06	150W
		6672	150W
	SURESLIDE	6674	150W
EATON	SMART DIMMER	AAL06	300W
PASS & SEYMOUR	HARMONY	DCL453PTCCCV6	150W
GE	ROCKER	10464	150W
	TOGGLE	18027	150W