



LUCID

ROUND DOUBLE DROP LENS



FEATURES

- Ultra slim 1.25" height
- Interchangeable trim rings
- Acrylic Drop Lens
- Universal voltage
- 5 CCT selectable

SPECIFICATIONS

Wattage	2 x 15W
Lumens	2240LM
Input Voltage	120-277V
CCT	27K/30K/35K/40K/50K 5 CCT Selectable
CRI	90
Beam Angle	120°
Dimming	Triac & 0-10V
Efficacy	90LM/W
Environment	Damp Location
Material	Aluminum
Operating Temperature	-25°C - 40°C
Certification	ETL
Cut Out	8.625"W x 3.875" H

ORDERING GUIDE

LCD-RDD-DL - 5CCT - UNV - 120 - _____ - _____ *Example: LCD-RDD-DL-5CCT-UNV-120-WT-EM*

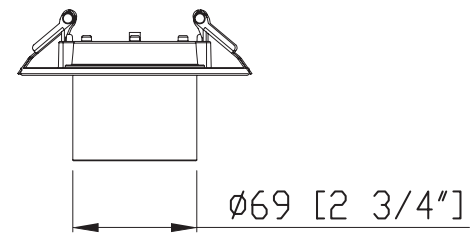
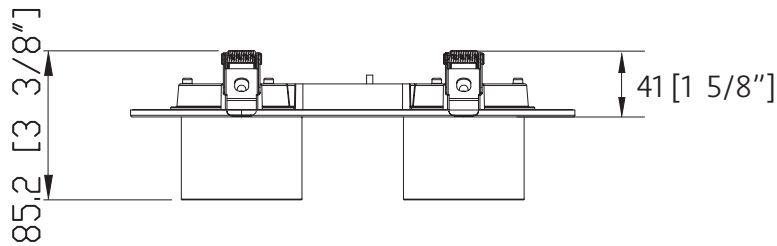
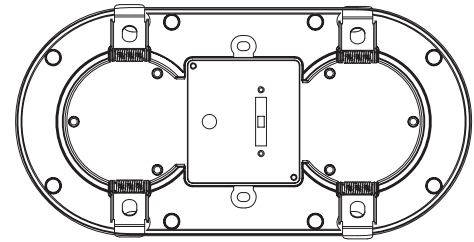
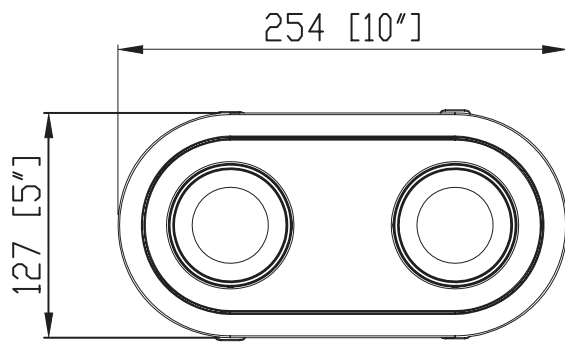
Model	Wattage	Lumens	Color Temperature	Input Voltage	Beam Angle	Trim Finish
LCD-RDD-DL	2x15W	2240LM	5CCT 5CCT Selectable (27K/30K/35K/40K/50K)	UNV 120-277V	120 120°	WT White BK Black BN Brushed Nickel CC Custom (Inquire)
EM						
EM						

* NCH-LCD26 - New Construction Plate



LUCID ROUND DOUBLE DROP LENS

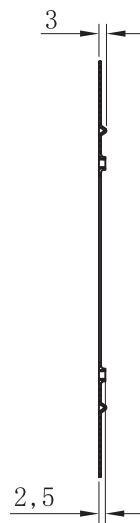
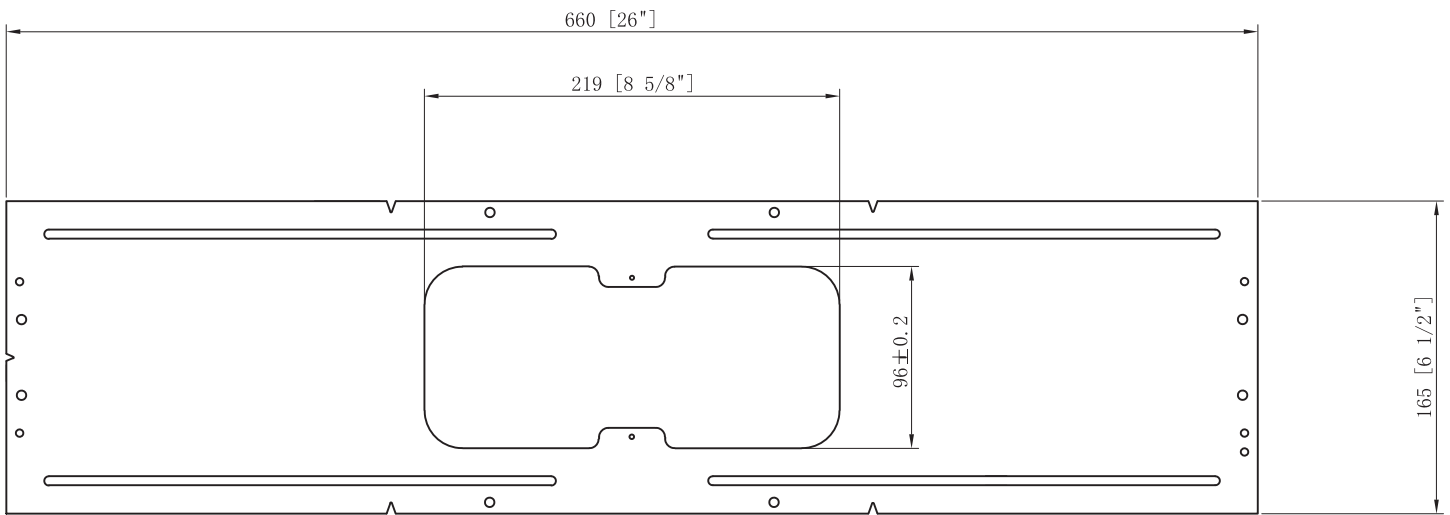
DIMENSIONS





LUCID ROUND DOUBLE DROP LENS

NEW CONSTRUCTION PLATE





LUCID ROUND DOUBLE DROP LENS

EMERGENCY BACK UP DRIVER RAD25/35-EM

90 minute run time
See spec sheet for for further information

