



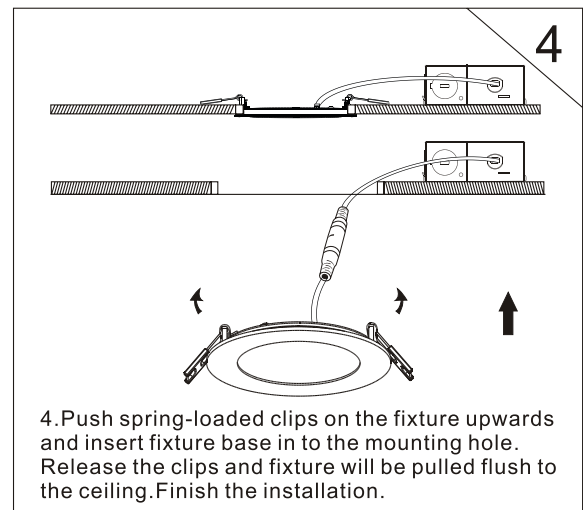
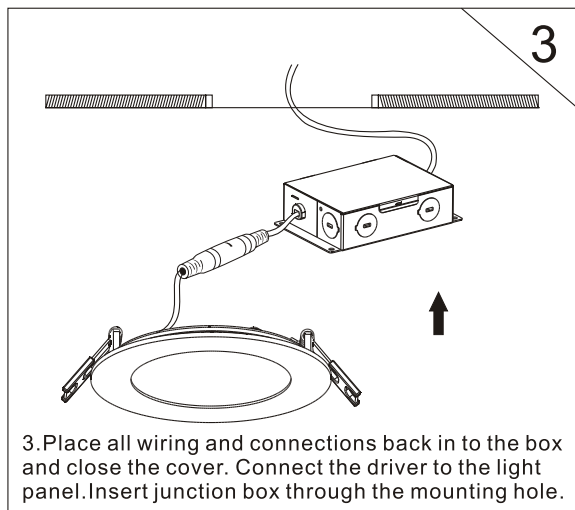
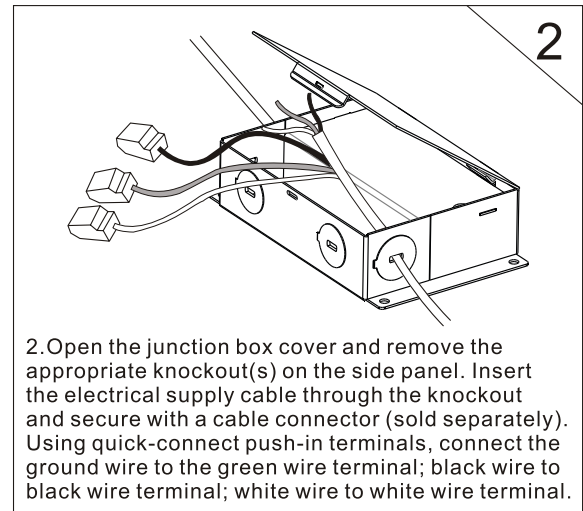
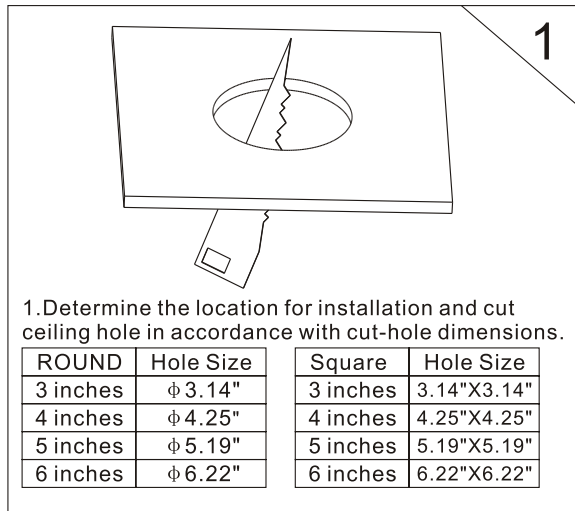
# LCD LUCID ROUND

RECESSED LED DOWNLIGHT

## INSTALLATION GUIDE

Turn power OFF from the electrical panel prior to installation

**\*IMPORTANT: NEVER attempt any work without shutting off the electricity**



- Read all instructions before installing.
- System is intended for installation by a qualified electrician in accordance with the National Electrical Code and local regulations.
- Go to the main fuse box, or circuit breaker. Place the main power switch in the "OFF" position and unscrew the fuse(s) or switch "OFF" the circuit breaker switch(es) that control the power to the fixture or room that you are working on.
- Place the wall switch in the "OFF" position.

**\*CAUTION: These luminaires (fixtures) are designed to meet the cETLus requirements.**

**Before installation, please check your local electrical code, as it sets the wiring standards for your locality.**