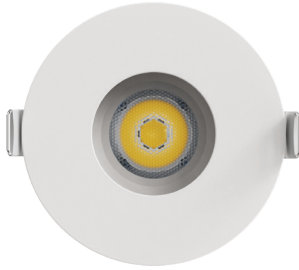




# RAD25ADJ SONIC 2.5 HIGH ADJUSTABLE

2.5" RECESSED LED DOWNLIGHT

## FEATURES



- Air-tight and wet location approved
- Type IC rated - approved for direct contact with insulation
- Universal Voltage and Dimming
- Adjustable Tilt up to 25 Degree
- Quick connect wire allows for efficient installation
- New construction plate available
- Optional Emergency Backup
- 5 Year Warranty

## SPECIFICATIONS



Wattage	14W
Lumens	1100LM
Input Voltage	120-277V
CCT	5CCT Select / 1800K - 3000K
Efficacy	>82LM/W
CRI	>90
Beam Angle	24°/38°/50°
Dimming	Triac & 0-10V
Environment	IP65 Wet Location
Material	Aluminum Body with Anodized Heat Sink
Operating Temperature	-4°F - 104°F
Lamp Life	50,000 hrs
Cut Out	3"

## ORDERING GUIDE

RAD25ADJ - R - 14 - \_\_\_\_\_ - UNV - \_\_\_\_\_ - \_\_\_\_\_ - \_\_\_\_\_ **Example: RAD25ADJ-R-15-CCT-UNV-24-WT-EM**

Model	Wattage	Color Temperature	Input Voltage	Beam Angle	Trim Finish	EM
RAD25ADJ-R	<b>14</b> 14W	<b>CCT</b> CCT Adj. (27K, 30K, 35K 40K, 50K)  <b>DTW</b> 1800K - 3000K (Dim to Warm)	<b>UNV</b> 120-277V	<b>24</b> 24° <b>38</b> 38° <b>50</b> 50°	<b>WT</b> White <b>BK</b> Black	EM

**QUICKSHIP CONFIGURATION - 120V 36 DEGREE BEAM ANGLE CLEAR LENSE**

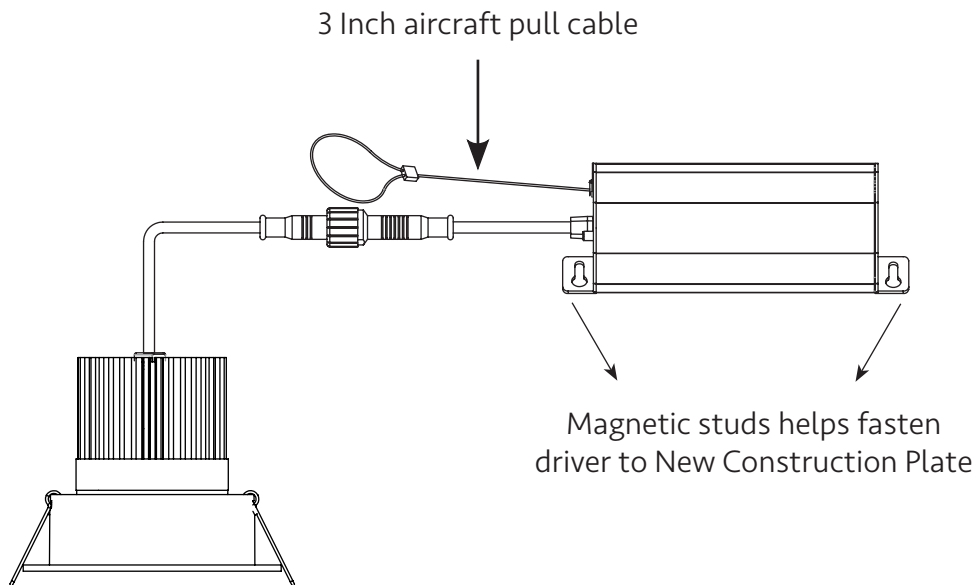
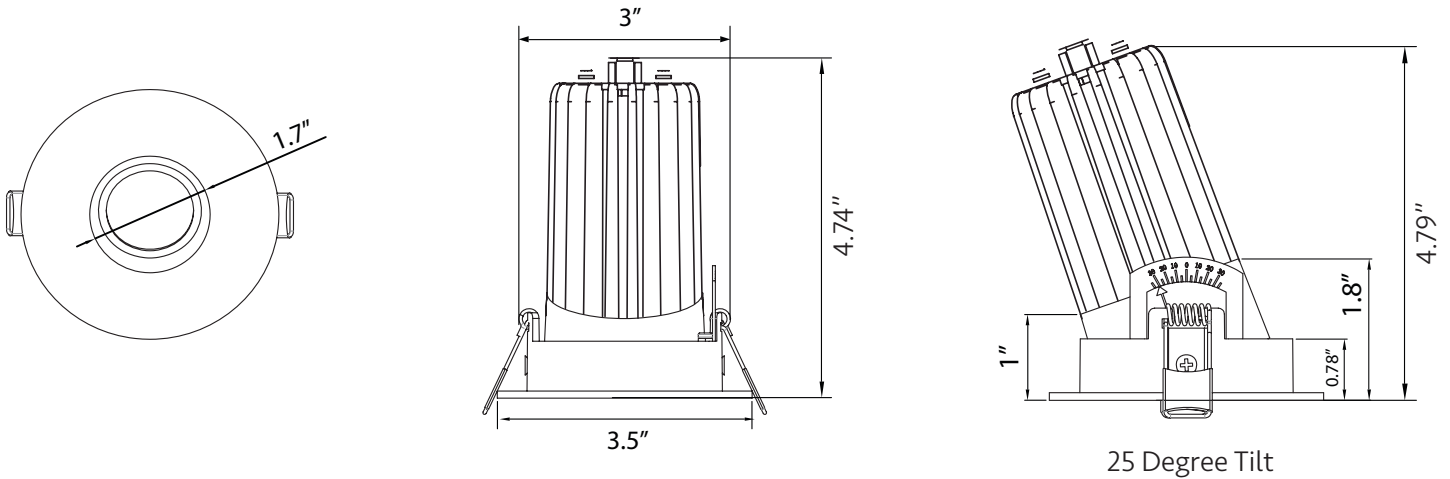




# RAD25ADJ SONIC 2.5 HIGH ADJUSTABLE

2.5" RECESSED LED DOWNLIGHT

## DIMENSIONS



PROJECT:

PREPARED BY:

TYPE:



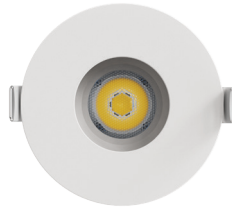
# RAD25ADJ SONIC 2.5 HIGH ADJUSTABLE

2.5" RECESSED LED DOWNLIGHT

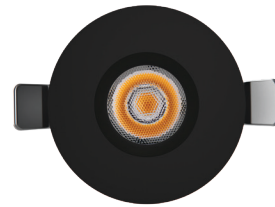
## TRIM COLOR OPTION

White  
Black

WT  
BK



Existing Trim



RAD35R-BK



# RAD25ADJ

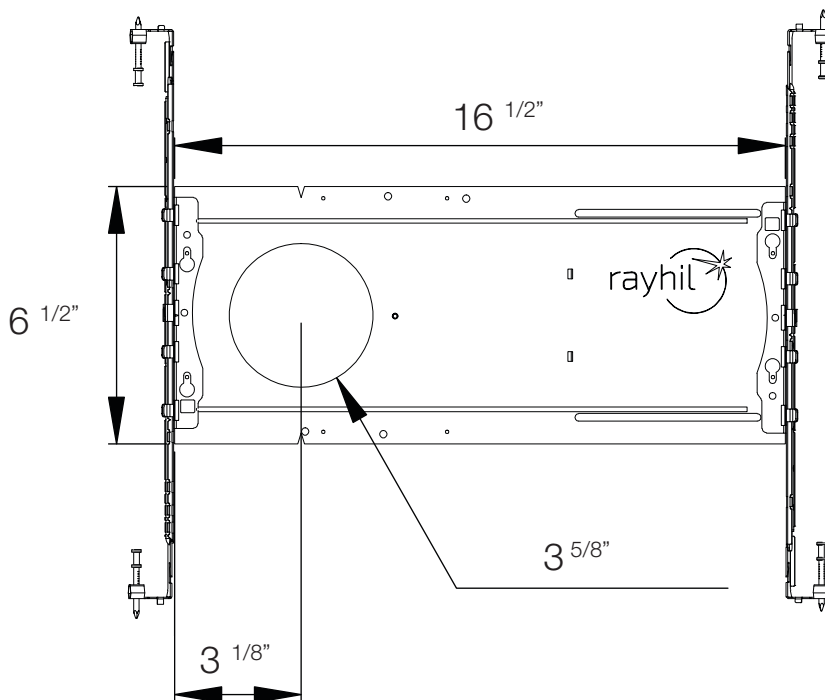
## SONIC 2.5 HIGH ADJUSTABLE

2.5" RECESSED LED DOWNLIGHT

### ACCESSORIES

#### NEW CONSTRUCTION MOUNTING PLATE NCH350

- Constructed out of galvanized steel
- Magnetic plate and driver facilitate easy and secure placement
- Adjustable Hanger Bars up to 24"





# RAD25ADJ SONIC 2.5 HIGH ADJUSTABLE

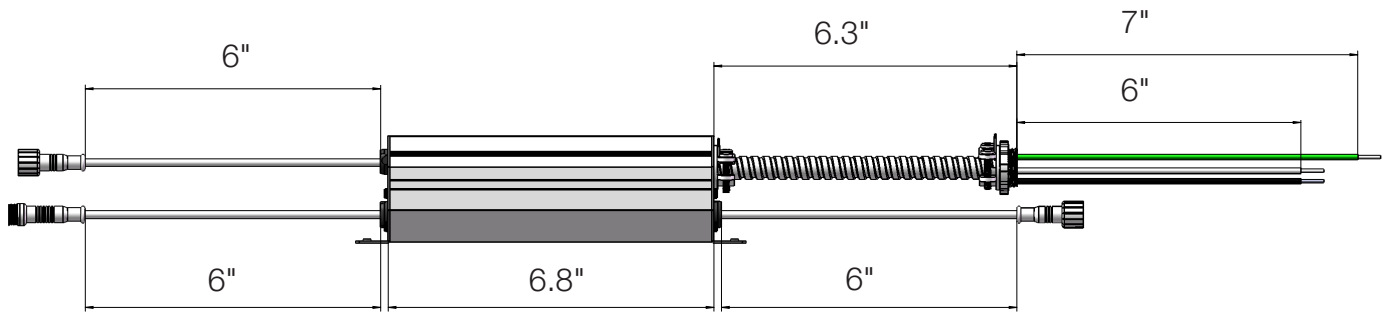
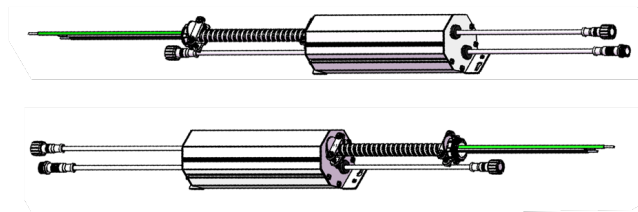
2.5" RECESSED LED DOWNLIGHT

## EMERGENCY BACK UP DRIVER

RAD25/35-EM

90 minute run time

See spec sheet for further information





# RAD25ADJ

## SONIC 2.5 HIGH ADJUSTABLE

2.5" RECESSED LED DOWNLIGHT

### COMPATIBLE DIMMERS

LOAD (W)	<b>LEVITON</b>
150W	<i>ILLUMATEC IPL06</i>
150W	<i>SURESLIDE 6672</i>
150W	<i>SURESLIDE 6674</i>
<b>EATON</b>	
300W	<i>SMART DIMMER AAL06</i>
<b>PASS &amp; SEYMOUR</b>	
150W	<i>HARMONY DCL453PTCCCV6</i>
<b>GE</b>	
150W	<i>ROCKER 10464</i>
150W	<i>TOGGLE 18027</i>

LOAD (W)	<b>LUTRON</b>
150W	<i>SKYLARK CONTOUR LECL-153P</i>
150W	<i>SKYLARK CONTOUR CTCL-150H</i>
150W	<i>SKYLARK CONTOUR LGCL-153PLH</i>
150W	<i>SKYLARK CONTOUR CTCL-153P</i>
150W	<i>SKYLARK CONTOUR SCL-153P</i>
600W	<i>SKYLARK CONTOUR S-600P</i>
600W	<i>CASETA PD-6WCL</i>
150W	<i>CASETA PD-5NE</i>
250W	<i>CASETA PD-10NXD</i>
150W	<i>DIVA DVCL-153P</i>
150W	<i>TOGGLER TGCL-153P</i>
150W	<i>ARIADNI AYCL-153P</i>
150W	<i>MAESTRO MACL-153M</i>