



RAD25ADJ

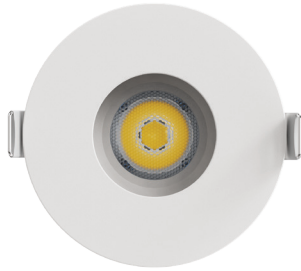
SONIC 2.5 ADJUSTABLE

2.5" RECESSED LED DOWNLIGHT

COMING SOON - AVAILABLE JANUARY 2025

FEATURES

- Air-tight and wet location approved
- Type IC rated - approved for direct contact with insulation
- Universal Voltage and Dimming
- Adjustable Tilt up to 25 Degree
- Quick connect wire allows for efficient installation
- New construction plate available
- Optional Emergency Backup
- 5 Year Warranty



SPECIFICATIONS



Wattage	9W
Lumens	800LM
Input Voltage	120-277V
CCT	5CCT Select / 1800K - 3000K
Efficacy	>82LM/W
CRI	>90
Beam Angle	24°/36°/50°
Dimming	Triac & 0-10V
Environment	IP65 Wet Location
Material	Aluminum Body with Anodized Heat Sink
Operating Temperature	-4°F - 104°F
Lamp Life	50,000 hrs
Cut Out	3"

ORDERING GUIDE

RAD25ADJ - R - 9 - _____ - UNV - _____ - _____ - _____ **Example: RAD25ADJ-R-15-CCT-UNV-24-WT-EM**

Model	Wattage	Color Temperature	Input Voltage	Beam Angle	Trim Finish	EM
RAD25ADJ-R	9 9W	CCT CCT Adj. (27K, 30K, 35K 40K, 50K) DTW 1800K - 3000K (Dim to Warm)	UNV 120-277V	24 24° 36 36° 50 50°	WT White BK Black	EM

QUICKSHIP CONFIGURATION - 120V 36 DGREE BEAM ANGLE CLEAR LENSE

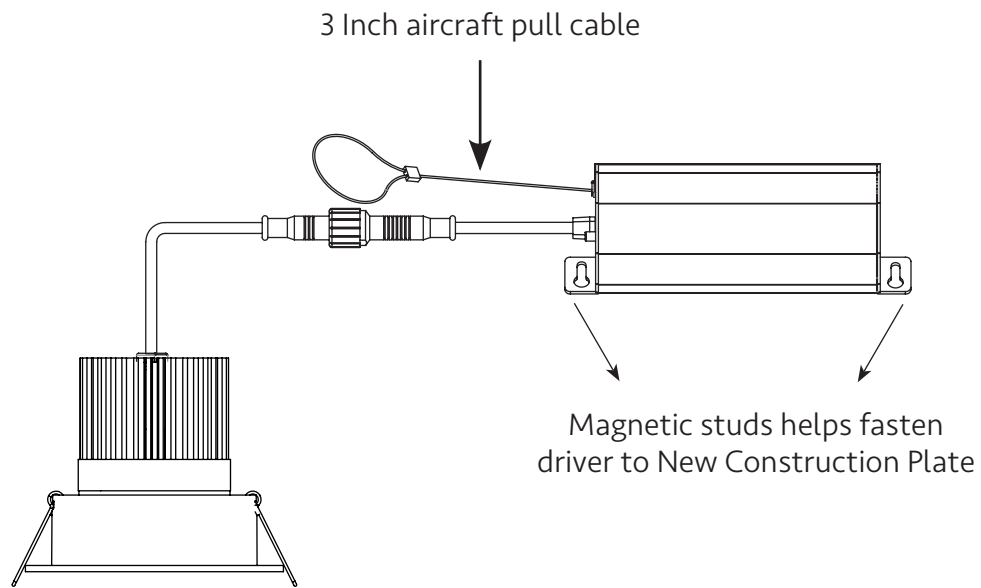
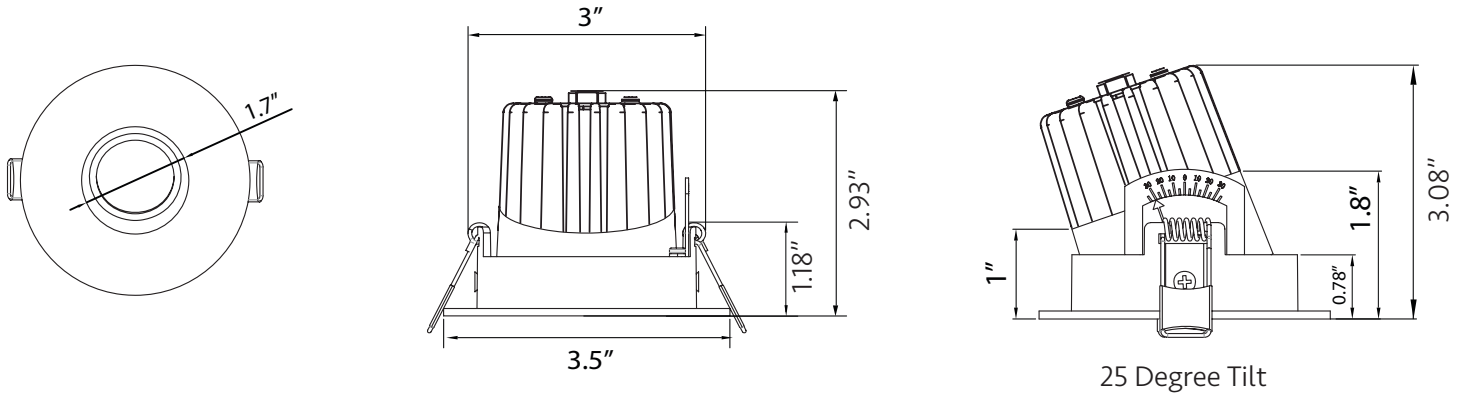




RAD25ADJ SONIC 2.5 ADJUSTABLE

2.5" RECESSED LED DOWNLIGHT

DIMENSIONS





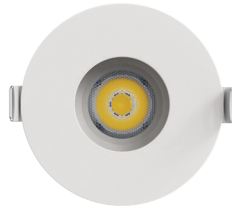
RAD25ADJ SONIC 2.5 ADJUSTABLE

2.5" RECESSED LED DOWNLIGHT

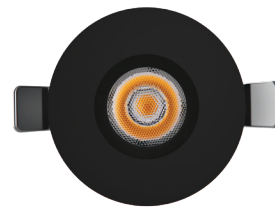
TRIM COLOR OPTION

White
Black

WT
BK



Existing Trim



RAD35R-BK



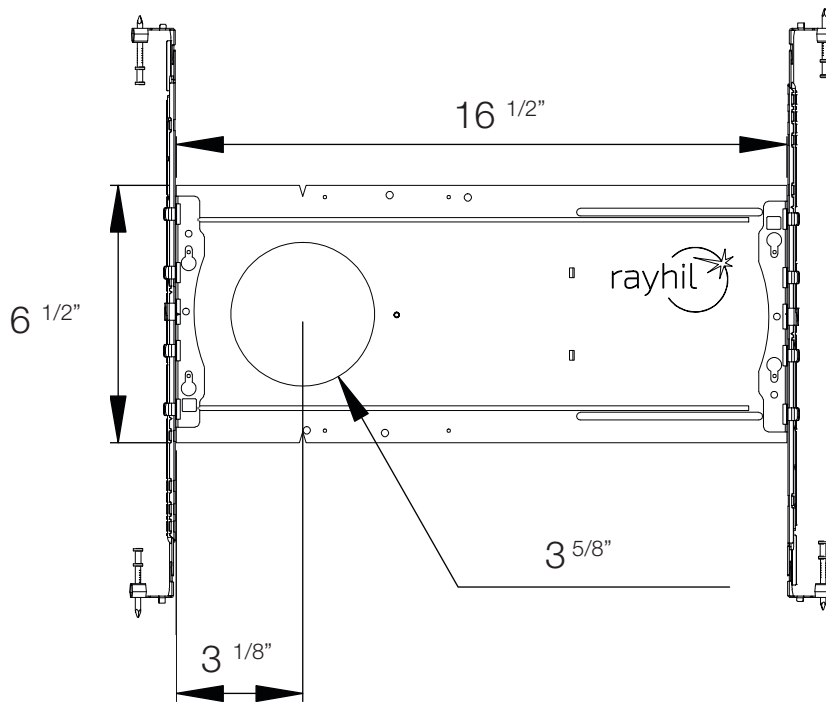
RAD25ADJ SONIC 2.5 ADJUSTABLE

2.5" RECESSED LED DOWNLIGHT

ACCESSORIES

NEW CONSTRUCTION MOUNTING PLATE NCH350

- Constructed out of galvanized steel
- Magnetic plate and driver facilitate easy and secure placement
- Adjustable Hanger Bars up to 24"





RAD25ADJ SONIC 2.5 ADJUSTABLE

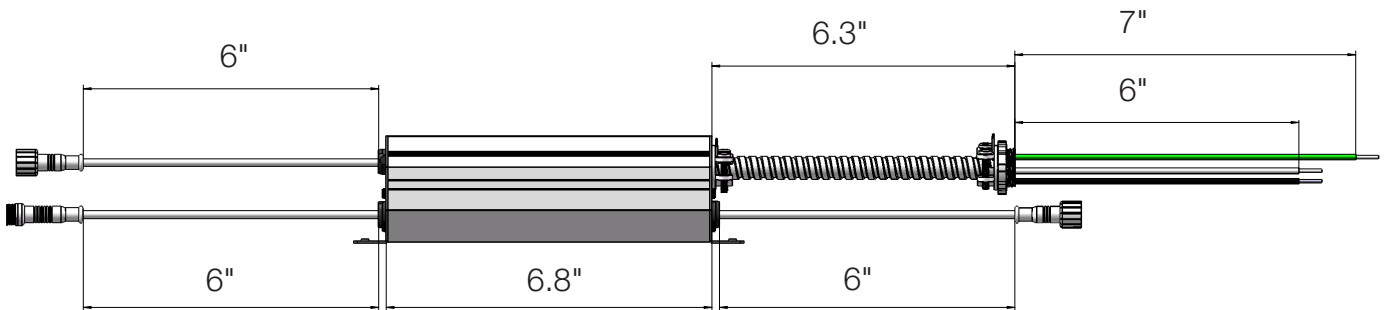
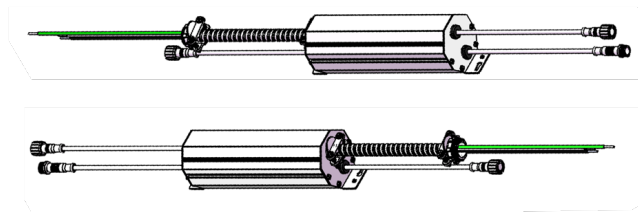
2.5" RECESSED LED DOWNLIGHT

EMERGENCY BACK UP DRIVER

RAD25/35-EM

90 minute run time

See spec sheet for further information





RAD25ADJ

SONIC 2.5 ADJUSTABLE

2.5" RECESSED LED DOWNLIGHT

COMPATIBLE DIMMERS

LUTRON	LOAD (W)	LEVITON	LOAD (W)
SKYLARK CONTOUR LECL-153P	150W	ILLUMATEC IPL06	150W
SKYLARK CONTOUR CTCL-150H	150W	SURESLIDE 6672	150W
SKYLARK CONTOUR LGCL-153PLH	150W	SURESLIDE 6674	150W
SKYLARK CONTOUR CTCL-153P	150W		
SKYLARK CONTOUR SCL-153P	150W	EATON	
SKYLARK CONTOUR S-600P	600W	SMART DIMMER AAL06	300W
CASETA PD-6WCL	600W		
CASETA PD-5NE	150W	PASS & SEYMOUR	
CASETA PD-10NXD	250W	HARMONY DCL453PTCCCV6	150W
DIVA DVCL-153P	150W		
TOGLER TGCL-153P	150W	GE	
ARIADNI AYCL-153P	150W	ROCKER 10464	150W
MAESTRO MACL-153M	150W	TOGGLE 18027	150W