



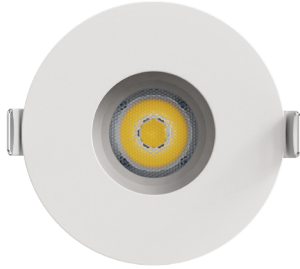
RAD25ADJ

SONIC 2.5 ADJUSTABLE

2.5" RECESSED LED DOWNLIGHT

FEATURES

- Air-tight and wet location approved
- Type IC rated - approved for direct contact with insulation
- Universal Voltage and Dimming
- Adjustable Tilt up to 25 Degree
- Quick connect wire allows for efficient installation
- New construction plate available
- Optional Emergency Backup
- 5 Year Warranty



SPECIFICATIONS

Wattage	9W
Lumens	800LM
Input Voltage	120-277V
CCT	5CCT Select / 1800K - 3000K
Efficacy	>82LM/W
CRI	>90
Beam Angle	24°/38°/50°
Dimming	Triac & 0-10V
Environment	IP65 Wet Location
Material	Aluminum Body with Anodized Heat Sink
Operating Temperature	-4°F - 104°F
Lamp Life	50,000 hrs
Cut Out	3"

ORDERING GUIDE

RAD25ADJ - R - 9 - _____ - UNV - _____ - _____ - _____ **Example: RAD25ADJ-R-15-CCT-UNV-24-WT-EM**

Model	Wattage	Color Temperature	Input Voltage	Beam Angle	Trim Finish	EM
RAD25ADJ-R	9 9W	CCT CCT Adj. (27K, 30K, 35K 40K, 50K) DTW 1800K - 3000K (Dim to Warm)	UNV 120-277V	24 24° 38 38° 50 50°	WT White BK Black	EM

QUICKSHIP CONFIGURATION - 120V 36 DEGREE BEAM ANGLE CLEAR LENSE

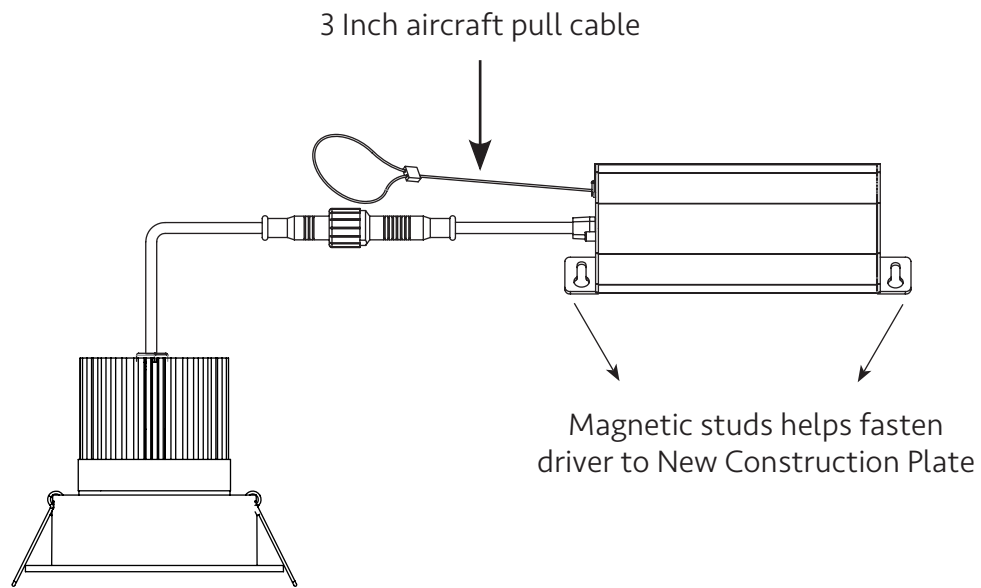
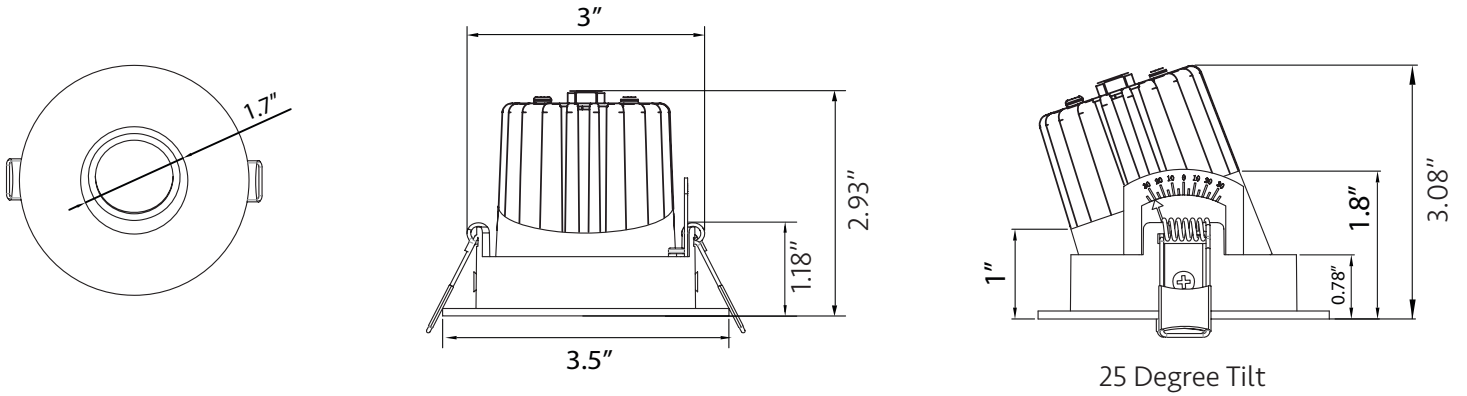




RAD25ADJ SONIC 2.5 ADJUSTABLE

2.5" RECESSED LED DOWNLIGHT

DIMENSIONS



PROJECT:

PREPARED BY:

TYPE:



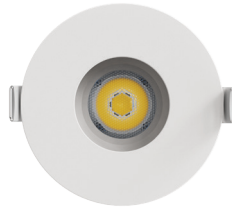
RAD25ADJ SONIC 2.5 ADJUSTABLE

2.5" RECESSED LED DOWNLIGHT

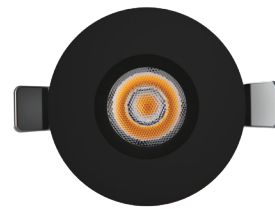
TRIM COLOR OPTION

White
Black

WT
BK



Existing Trim



RAD35R-BK



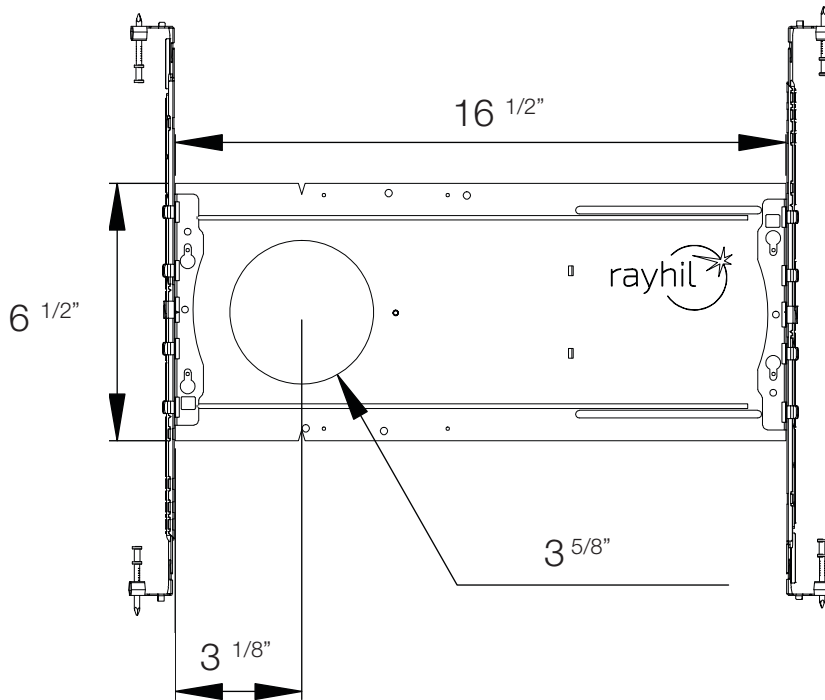
RAD25ADJ SONIC 2.5 ADJUSTABLE

2.5" RECESSED LED DOWNLIGHT

ACCESSORIES

NEW CONSTRUCTION MOUNTING PLATE NCH350

- Constructed out of galvanized steel
- Magnetic plate and driver facilitate easy and secure placement
- Adjustable Hanger Bars up to 24"





RAD25ADJ SONIC 2.5 ADJUSTABLE

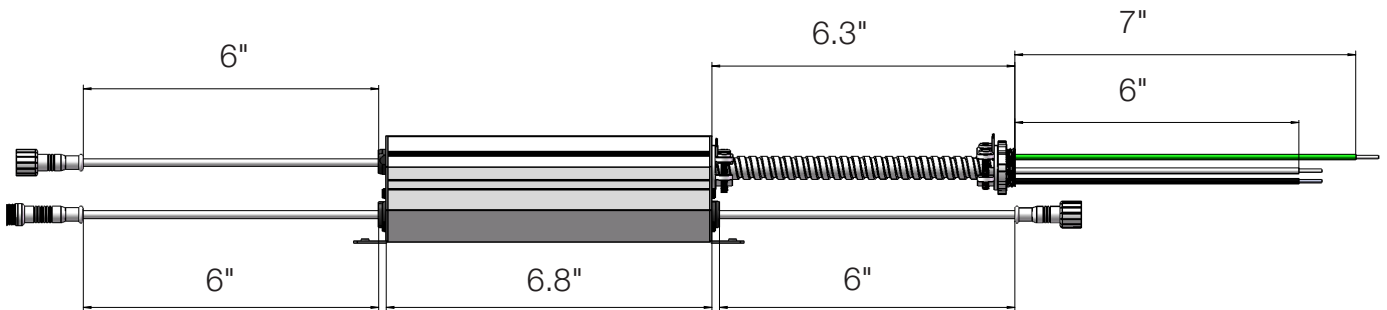
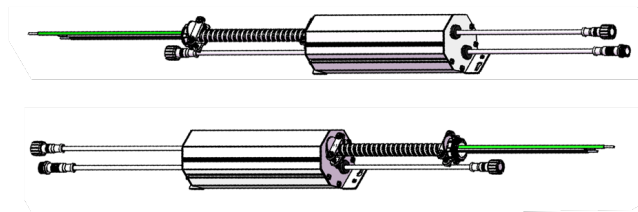
2.5" RECESSED LED DOWNLIGHT

EMERGENCY BACK UP DRIVER

RAD25/35-EM

90 minute run time

See spec sheet for further information





RAD25ADJ

SONIC 2.5 ADJUSTABLE

2.5" RECESSED LED DOWNLIGHT

COMPATIBLE DIMMERS

LUTRON	LOAD (W)	LEVITON	LOAD (W)
SKYLARK CONTOUR LECL-153P	150W	ILLUMATEC IPL06	150W
SKYLARK CONTOUR CTCL-150H	150W	SURESLIDE 6672	150W
SKYLARK CONTOUR LGCL-153PLH	150W	SURESLIDE 6674	150W
SKYLARK CONTOUR CTCL-153P	150W		
SKYLARK CONTOUR SCL-153P	150W	EATON	
SKYLARK CONTOUR S-600P	600W	SMART DIMMER AAL06	300W
CASETA PD-6WCL	600W	PASS & SEYMOUR	
CASETA PD-5NE	150W	HARMONY DCL453PTCCCV6	150W
CASETA PD-10NXD	250W		
DIVA DVCL-153P	150W	GE	
TOGLER TGCL-153P	150W	ROCKER 10464	150W
ARIADNI AYCL-153P	150W	TOGGLE 18027	150W
MAESTRO MACL-153M	150W		