



RAD35X ADJ SONIC 3.5 X ADJUSTABLE

3.5" RECESSED LED DOWNLIGHT

COMING SOON - AVAILABLE JANUARY 2025

FEATURES



- Air-tight and wet location approved
- Type IC rated - approved for direct contact with insulation
- Universal Voltage and Dimming
- Adjustable Tilt up to 25 Degree
- Quick connect wire allows for efficient installation
- New construction plate available
- Optional Emergency Backup
- 5 Year Warranty

SPECIFICATIONS



Wattage	20W
Lumens	2000LM
Input Voltage	120-277V AC
CCT	27K, 30K, 35K, 40K, 50K (CCT Adj.)
Efficacy	>87LM/W
CRI	>90
Beam Angle	15°/24°/36°/50°
Dimming	Triac & 0-10V
Environment	IP65 Wet Location
Material	Aluminum Body with Anodized Heat Sink
Operating Temperature	-4°F - 104°F
Lamp Life	50,000 hrs
Cut Out	4"

ORDERING GUIDE

RAD35 - 20 - _____ - UNV - _____ - _____ - _____ - _____

Example: RAD35ADJ-R-20-CCT-UNV-15-C-WT-EM

Model	Wattage	Color Temperature		Input Voltage	Beam Angle	Lens	Trim Finish	EM
RAD35R	20 20W	CCT	CCT Adj.	UNV 120-277V	15 15°	C Clear	WT White	EM
		30	3000K		24 24°	F Frosted	BK Black	
		35	3500K		36 36°			
		40	4000K		50 50°			
		50	5000K					

QUICKSHIP CONFIGURATION - 120V 36 DEGREE BEAM ANGLE CLEAR LENSE

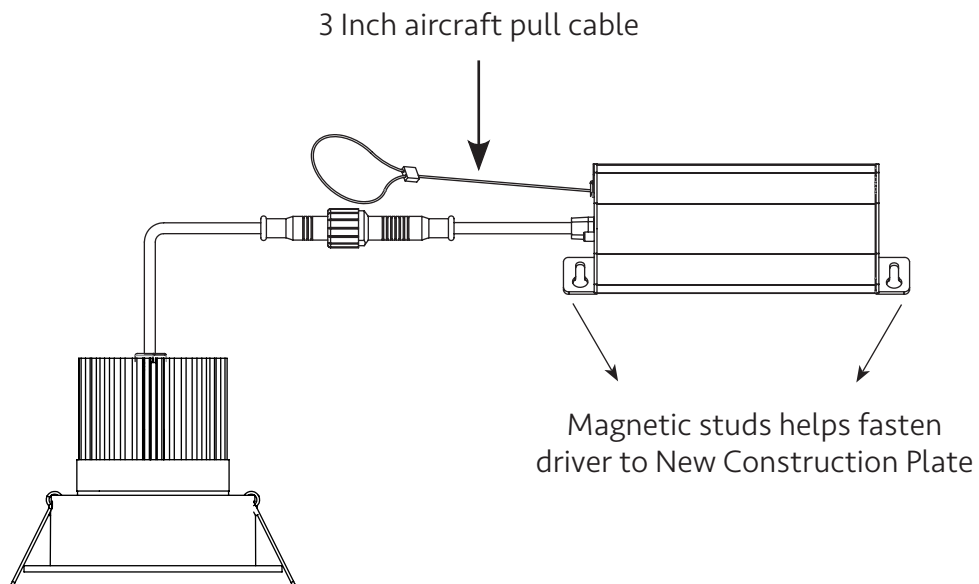
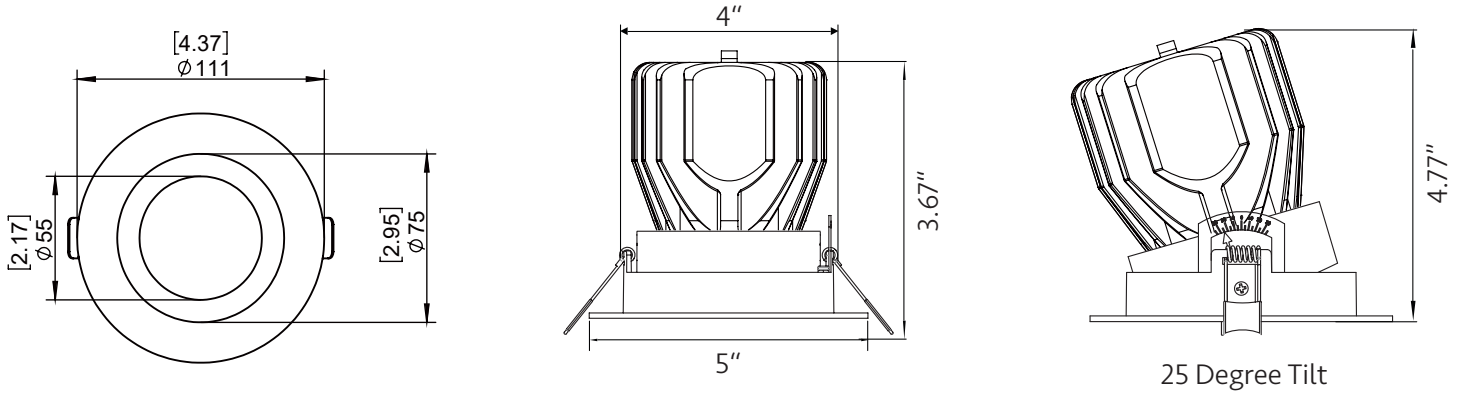




RAD35X ADJ SONIC 3.5 X ADJUSTABLE

3.5" RECESSED LED DOWNLIGHT

DIMENSIONS





RAD35X ADJ SONIC 3.5 X ADJUSTABLE

3.5" RECESSED LED DOWNLIGHT

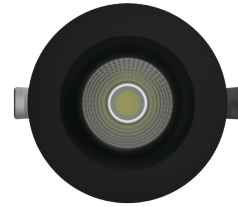
TRIM COLOR OPTION

White
Black

WT
BK



Existing Trim



RAD35R-BK

FROSTED LENS OPTION





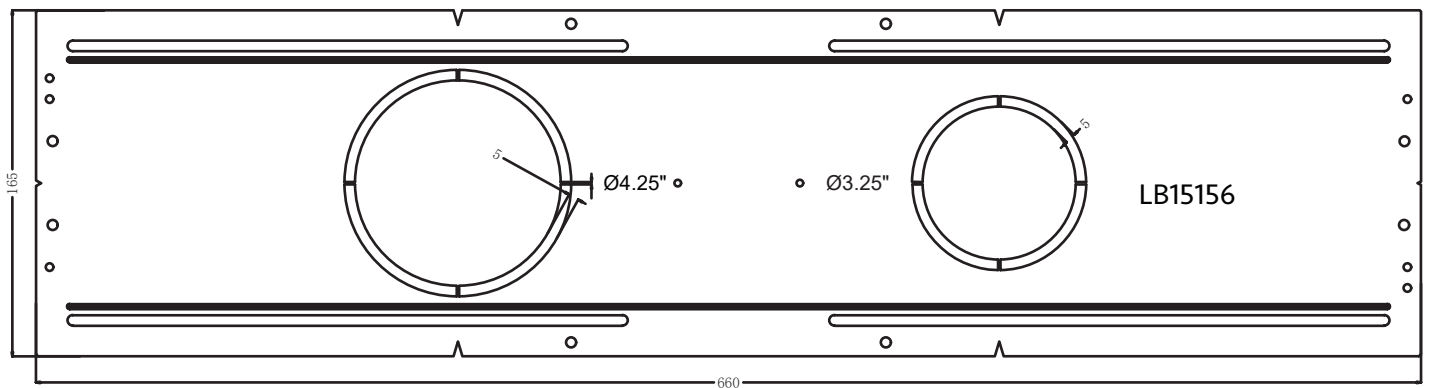
RAD35X ADJ SONIC 3.5 X ADJUSTABLE

3.5" RECESSED LED DOWNLIGHT

ACCESSORIES

NEW CONSTRUCTION MOUNTING PLATE LB15156

- Constructed out of galvanized steel
- Magnetic plate and driver facilitate easy and secure placement
- Adjustable Hanger Bars up to 24"





RAD35X ADJ SONIC 3.5 X ADJUSTABLE

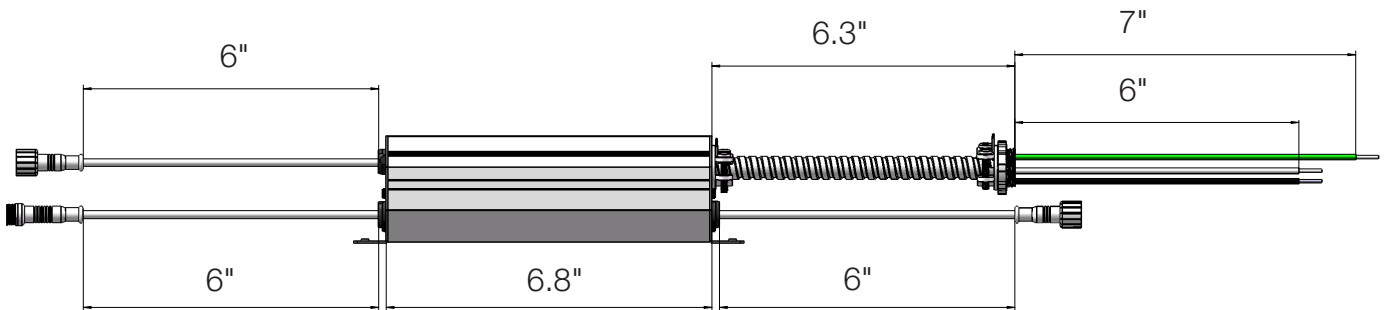
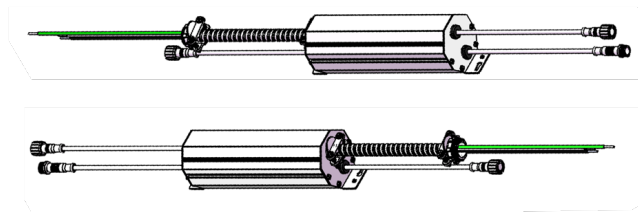
3.5" RECESSED LED DOWNLIGHT

EMERGENCY BACK UP DRIVER

RAD25/35-EM

90 minute run time

See spec sheet for further information





RAD35X ADJ SONIC 3.5 X ADJUSTABLE

3.5" RECESSED LED DOWNLIGHT

COMPATIBLE DIMMERS

LUTRON	LOAD (W)	LEVITON	LOAD (W)
SKYLARK CONTOUR LECL-153P	150W	ILLUMATEC IPL06	150W
SKYLARK CONTOUR CTCL-150H	150W	SURESLIDE 6672	150W
SKYLARK CONTOUR LGCL-153PLH	150W	SURESLIDE 6674	150W
SKYLARK CONTOUR CTCL-153P	150W		
SKYLARK CONTOUR SCL-153P	150W	EATON	
SKYLARK CONTOUR S-600P	600W	SMART DIMMER AAL06	300W
CASETA PD-6WCL	600W		
CASETA PD-5NE	150W	PASS & SEYMOUR	
CASETA PD-10NXD	250W	HARMONY DCL453PTCCCV6	150W
DIVA DVCL-153P	150W		
TOGLER TGCL-153P	150W	GE	
ARIADNI AYCL-153P	150W	ROCKER 10464	150W
MAESTRO MACL-153M	150W	TOGGLE 18027	150W