



# FUSE

## LINKABLE LINEAR

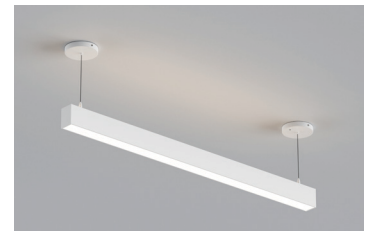
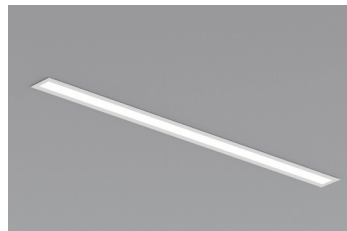
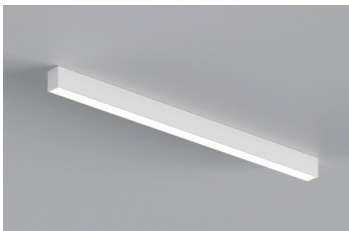
### LINEAR SERIES



The Fuse Linkable Linear Series offers versatile, customizable lighting for surface, wall, recessed, and pendant applications. With adjustable wattage, CCT, and independent up/down light control, it provides tailored solutions for any project. Seamless linking, universal voltage, and optional emergency battery or motion sensor enhance its adaptability for architectural lighting needs

### FEATURES

- Seamlessly Linkable Fixture
- Individually controlled Direct/Indirect Options
- Wattage Adjustable
- CCT Adjustable
- Universal Voltage
- EM Battery and Motion Sensor Available



### SPECIFICATIONS

Input Voltage	120-277V	Indirect Beam Angle	100°
Lumens	130LM/W	THD	<20%
Driver Efficacy	>87%	Application	Surface/Wall/Recessed/Pendant
Power Factor	>0.90	Body Material	Aluminum
Color Temperature	5 CCT Adjustable	Lifetime	50,000 hrs.
Dimming	0-10V	Environment	IP40
CRI	>83	Certification	CE, ETL & UL
Max Run	600W	Dimensions	W 2.2" x H 3"
Lens	Frosted	Warranty	5 years
Direct Beam Angle	100°		





# FUSE

## LINKABLE LINEAR

### LINEAR SERIES

## ORDERING GUIDE

FUSE - \_\_\_\_\_ - \_\_\_\_\_ - CCT- 0-10- DI - \_\_\_\_\_ - \_\_\_\_\_ - \_\_\_\_\_

*Example: FSE-S-2-CCT-010-DI-WT-MS-EM*

Model	Mount	Size	Color Temperature		
FSE	<b>S</b> Surface	<b>2</b> 2FT 10W/15W/20W/25W (Selectable)	<b>CCT</b> 27K/30K/35K/40K/50K Selectable		
	<b>P</b> Pendant	<b>3</b> 3FT 20W/25W/30W/35W (Selectable)			
	<b>R</b> Recessed Flange	<b>4</b> 4FT 35W/40W/45W/50W (Selectable)			
	<b>W</b> Wall	<b>8</b> 8FT 60W/75W/90W/100W (Selectable)			
		<b>L</b> L Shape			
		<b>V</b> V Shape			
		<b>T</b> T Shape			
		<b>X</b> X Shape			
	Controls	Direct/Indirect	Finish	Sensor	Emergency
	<b>0-10</b> 0-10V	<b>DI</b> Direct/Indirect	<b>WT</b> White <b>BK</b> Black <b>WD</b> Wood <b>CC</b> Custom	<b>MS</b> Motion Sensor (Leave Blank for None)	<b>EM</b> EM Battery (Leave Blank for None)

\*Note when Specifying - Linking Kit Must be specified for Linking ability

## QUICK SHOP ORDERING GUIDE

FUSE - \_\_\_\_\_ - \_\_\_\_\_ - CCT- 0-10- DI - \_\_\_\_\_

*Example: FSE-S-4-CCT-010-DI-WT*

Model	Mount	Size	Color Temperature		
FSE	<b>S</b> Surface	<b>4</b> 4FT 35W/40W/45W/50W (Selectable)	<b>CCT</b> 27K/30K/35K/40K/50K Selectable		
	<b>P</b> Pendant	<b>8</b> 8FT 60W/75W/90W/100W (Selectable)			
	Controls	Direct/Indirect	Finish		
	<b>0-10</b> 0-10V	<b>DI</b> Direct/Indirect	<b>WT</b> White <b>BK</b> Black		

\*CONTACT FOR QUICKSHIP OPTIONS

## ACCESSORIES

FSE - LK - \_\_\_\_\_ *Example: FUSE-LK-WT*

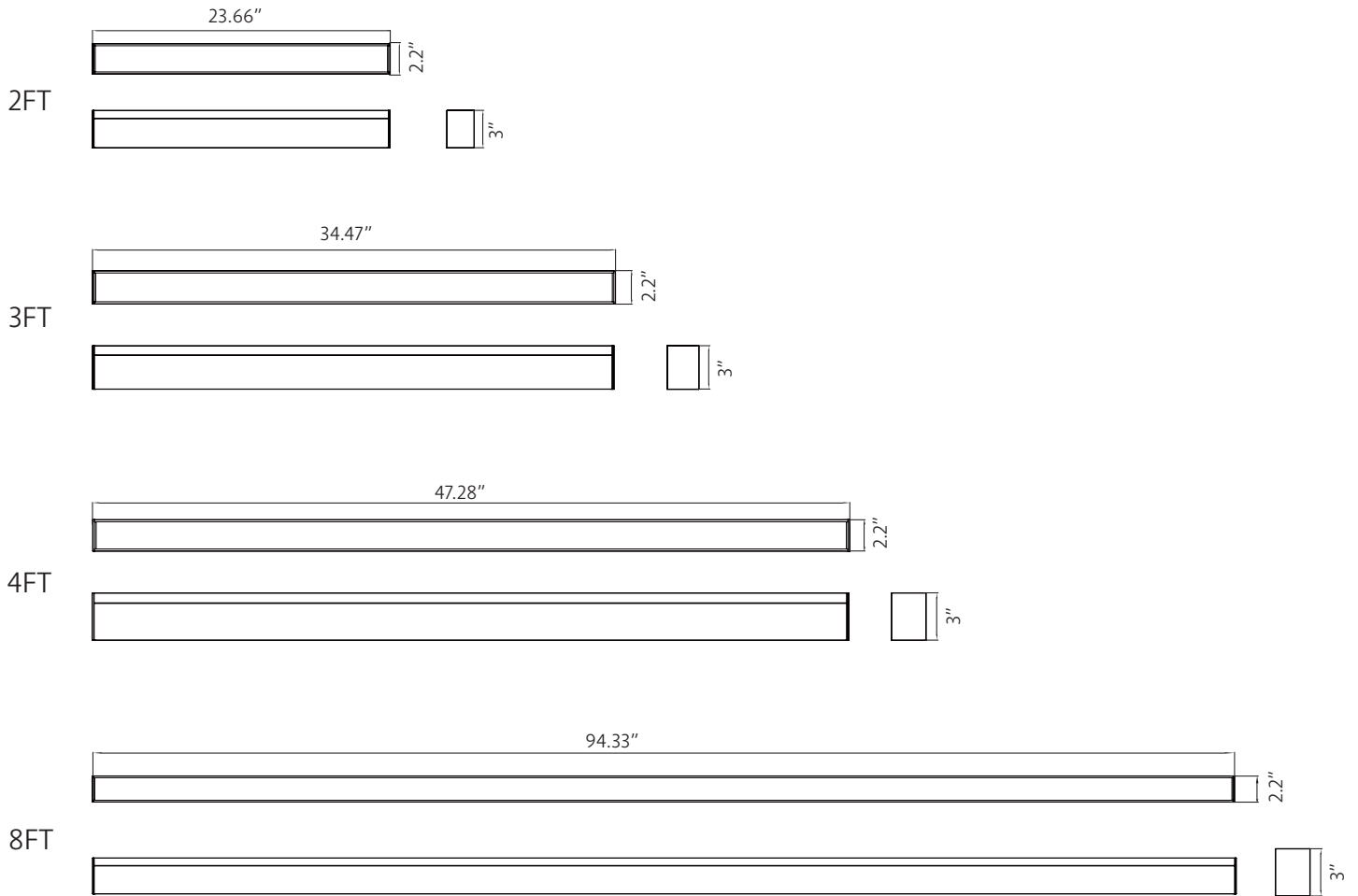
Model	Type	Finish	Description
FSE	LK	<b>WT</b> White	Linking Kit
		<b>BK</b> Black	

\*See page 6 for Linking Details



# FUSE LINKABLE LINEAR LINEAR SERIES

## DIMENSION





# FUSE

## LINKABLE LINEAR

LINEAR SERIES

### ACCESSORIES



L Shape



V Shape

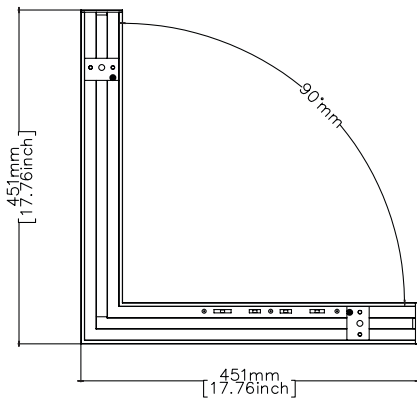


T Shape

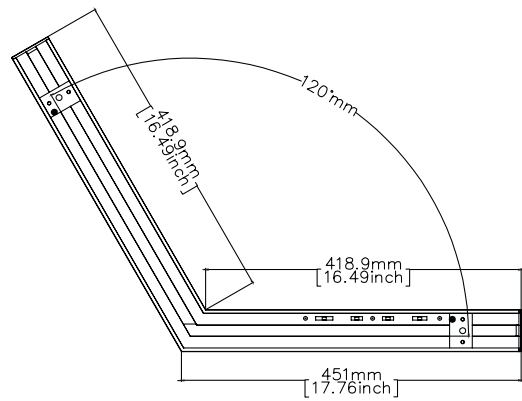


X Shape

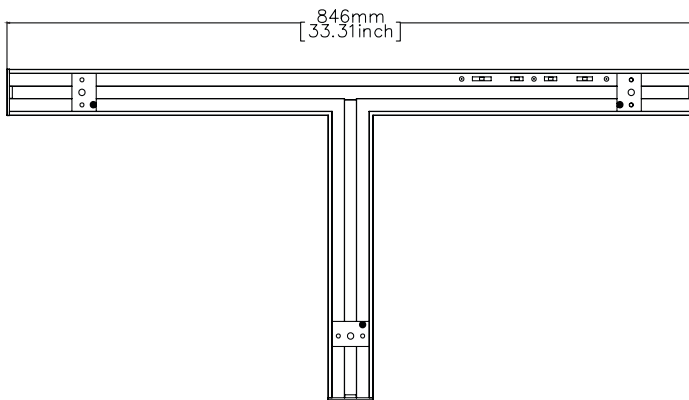
### DIMENSION



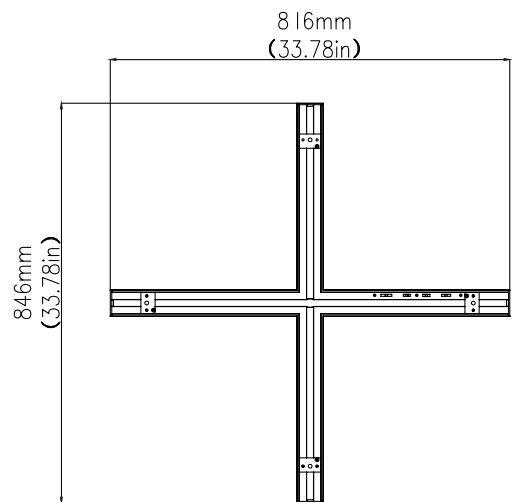
L Shape



V Shape



T Shape



X Shape



# FUSE

## LINKABLE LINEAR

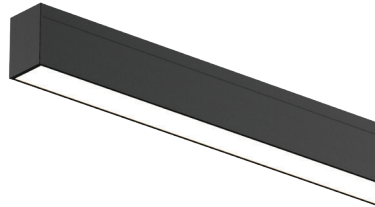
LINEAR SERIES

### FINISH OPTIONS

Our standard finishes include powder-coated White and Black for a clean and modern look. For a more natural touch, wood finishes are also available, made to order. Additionally, we provide the flexibility to create custom finishes tailored to your specific needs, ensuring seamless integration with your project. Please contact for us more info.



White



Black



Wood



# FUSE

## LINKABLE LINEAR

### LINEAR SERIES

## SWITCHES GUIDE



### CCT Selectable

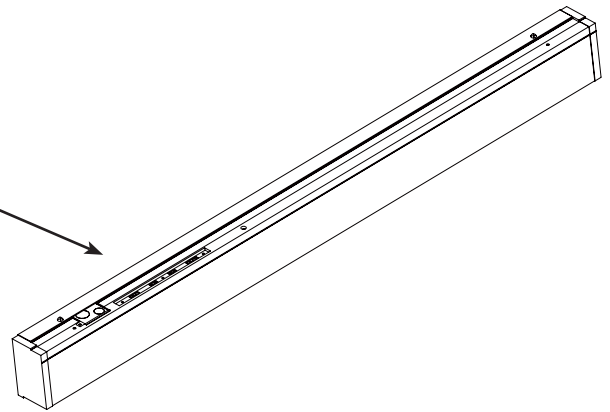
30K/35K/40K/50K/57K(preset at 50K)  
35K/40K/50K/57K(preset at 50K)

### Watt Selectable

2FT: 25W 20W 15W 10W(preset at 25W)  
3FT: 35W 30W 25W 20W(preset at 35W)  
4FT: 50W 45W 40W 35W(preset at 50W)  
8FT: 100W 90W 75W 60W(preset at 100W)

### Up&Down Light Distribution

- ① Up: 100% & Down: 0%
- ② Up: 70% & Down: 30%
- ③ Up: 50% & Down: 50%
- ④ Up: 30% & Down: 70% (preset)
- ⑤ Up: 0% & Down: 100%

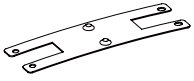




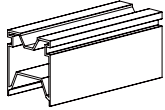
# FUSE LINKABLE LINEAR

LINEAR SERIES

## CONNECTING ACCESSORIES



Connecting bracket x1

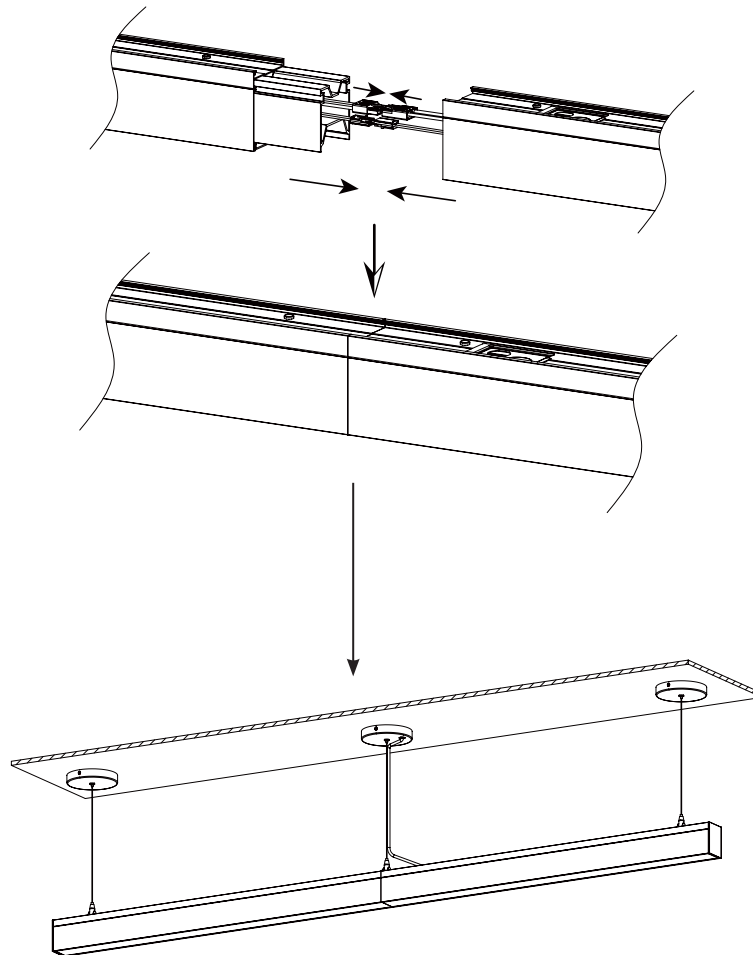


Joiner x1



M5x6 Screw x4

*\* For Further Installation instructions, see Installation Guide Download file*



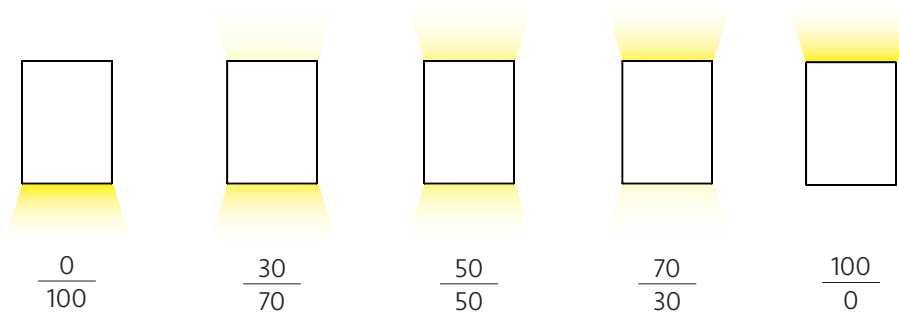


# FUSE

## LINKABLE LINEAR

LINEAR SERIES

### Adjustable Up&Down Light Distribution (5 Position)



Size	Total Watt	Up Watt	Down Watt	Up Lumen Output	Down	Down Watt	Down Lumen Output
2FT	25W	0%	0W	0	100%	25W	3250LM
		30%	7W	975LM	70%	18W	2275LM
		50%	12.5W	1625LM	50%	12.5W	1625LM
		70%	18W	2275LM	30%	7W	975LM
		100%	25W	3250LM	0%	0W	0
3FT	35W	0%	0W	0	100%	35W	4550LM
		30%	10.5W	1365LM	70%	24.5W	3185LM
		50%	17.5W	2275LM	50%	17.5W	2275LM
		70%	24.5W	3185LM	30%	10.5W	1365LM
		100%	35W	4550LM	0%	0W	0
4FT	50W	0%	0W	0	100%	50W	6550LM
		30%	15W	1950LM	70%	35W	4550LM
		50%	25W	3250LM	50%	25W	3250LM
		70%	35W	4550LM	30%	15W	1950LM
		100%	50W	6550LM	0%	0W	0
5FT	100W	0%	0W	0	100%	100W	13000LM
		30%	30W	3900LM	70%	70W	9100LM
		50%	50W	6500LM	50%	50W	6500LM
		70%	70W	9100LM	30%	30W	3900LM
		100%	100W	13000LM	0%	100W	0