

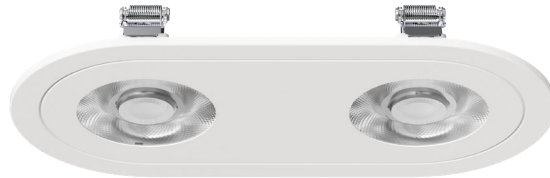


# ROUND DOUBLE DIAMOND LEN

## LCD

### RECESSED LED DOWNLIGHT

COMING SOON - AVAILABLE MARCH 2025



## FEATURES

- Ultra slim 1.25" height
- Interchangeable trim rings
- Universal voltage
- 5 CCT selectable

## SPECIFICATIONS

|               |                                   |                       |               |
|---------------|-----------------------------------|-----------------------|---------------|
| Wattage       | 2 x 12W                           | Efficacy              | 78LM/W        |
| Lumens        | 1980LM                            | Environment           | Damp Location |
| Input Voltage | 120-277V                          | Material              | Aluminum      |
| CCT           | 27K/30K/35K/40K/50K/ 5 CCT SELECT | Operating Temperature | -25°C - 40°C  |
| CRI           | 90                                | Certification         | ETL           |
| Beam Angle    | 42°                               | Cut Out               | 10"W x 5" H   |
| Dimming       | Triac & 0-10V                     |                       |               |

## ORDERING GUIDE

LCD - RDD - LS - \_\_\_\_\_ - UNV - 42 - \_\_\_\_\_ *Example: LCD-RDD-27-UNV-42-WT*

| Model      | Wattage | Lumens | Color Temperature           | Input Voltage       | Beam Angle    | Trim Finish                |
|------------|---------|--------|-----------------------------|---------------------|---------------|----------------------------|
| LCD-RDD-LS | 2x12W   | 1980LM | <b>27</b> 2700K             | <b>UNV</b> 120-277V | <b>42</b> 42° | <b>WT</b> White            |
|            |         |        | <b>30</b> 3000K             |                     |               | <b>BK</b> Black            |
|            |         |        | <b>35</b> 3500K             |                     |               | <b>BN</b> Brushed Nickel   |
|            |         |        | <b>40</b> 4000K             |                     |               | <b>CC</b> Custom (Inquire) |
|            |         |        | <b>50</b> 5000K             |                     |               |                            |
|            |         |        | <b>5CCT</b> 5CCT Selectable |                     |               |                            |

\* NCH-LCD - New Construction Plate

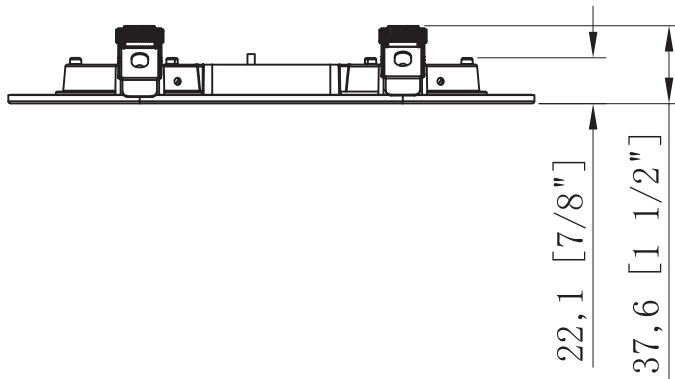
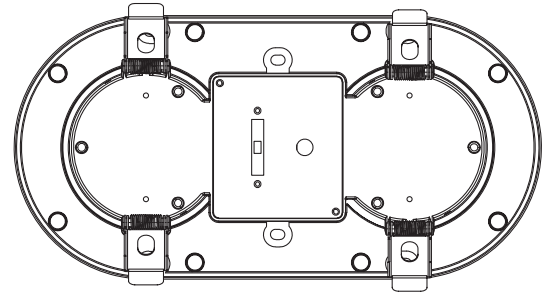
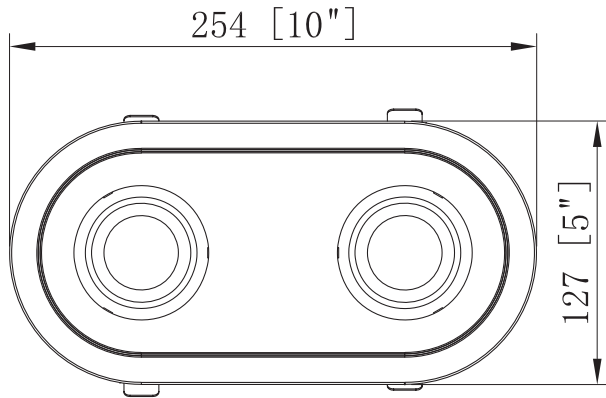


# ROUND DOUBLE DIAMOND LEN

LCD

RECESSED LED DOWNLIGHT

## DIMENSION





# ROUND DOUBLE DIAMOND LEN

LCD

RECESSED LED DOWNLIGHT

## NEW CONSTRUCTION PLATE

