



LCD ROUND DIAMOND LENS

RECESSED LED DOWNLIGHT



FEATURES

- Edge-lit technology
- Dimming: Triac down to 10%
- Suitable for wet location
- 50,000 Hour lifetime
- 5 CCT selectable

SPECIFICATIONS

Wattage	15W	Efficacy	83.3LM/W
Lumens	1000LM	Environment	Wet Location
Input Voltage	120V/120-277V	Material	Aluminum
CCT	27K/30K/35K/40K/50K/ 5 CCT SELECT	Operating Temperature	-20°C - 40°C
CRI	90	Certification	ETL
Beam Angle	15°/ 24°/ 36°/ 50°	Cut Out	4.11"
Dimming	Triac		

*Stock Configuration: LCD-RD-LS-12-CCT-120-36-WT

ORDERING GUIDE

LCD - RD - LS - 15 - _____ - _____ - _____ - _____ *Example: LCD-RD-LS-12-CCT-120-15-WT*

Model	Wattage	Lumens	Color Temperature	Input Voltage	Beam Angle	Trim Finish
LCD-RD-LS	15W	1000LM	27 2700K	120 120V UNV 120-277V	15 15° 24 24° 36 36° 50 50°	WT White
			30 3000K			BK Black
			35 3500K			BN Brushed Nickel
			40 4000K			BZ Bronze
			50 5000K			CP Copper
			5CCT 5CCT Selectable			

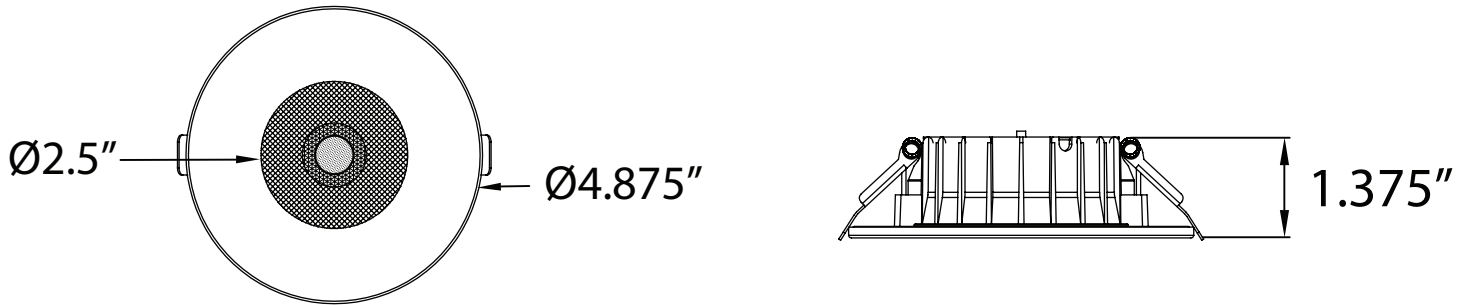
Model	Description
LB15156	New Construction Housing



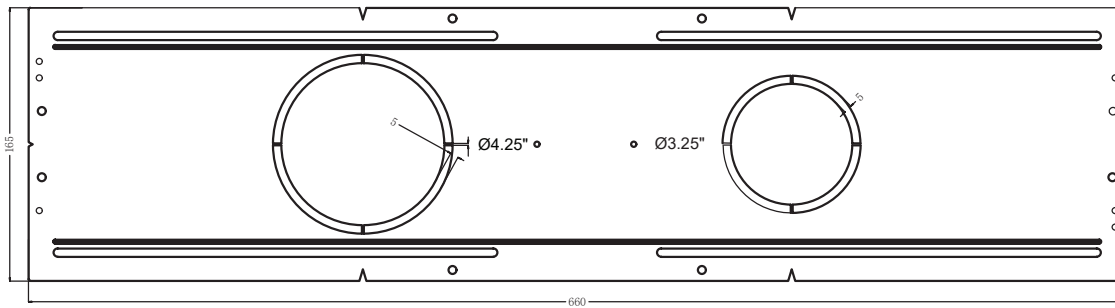
LCD ROUND DIAMOND LENS

RECESSED LED DOWNLIGHT

DIMENSIONS



NEW CONSTRUCTION PLATE





LCD ROUND DIAMOND LENS

RECESSED LED DOWNLIGHT

DIMMER COMPATIBLE LIST

BRAND	SERIES	MODEL	LOAD
LUTRON	SKYLARK CONTOUR	LECL-153P	150W
		CTCL-150H	150W
		LGCL-153PLH	150W
		CTCL-153P	150W
		SCL-153P	150W
		S-600P	600W
	CASETA	PD-6WCL	150W
		PD-5NE	150W
		PD-10NXD	250W
		DIVA	DVCL-153P
	TOGGLER	TGCL-153P	150W
	ARIADNI	AYCL-153P	150W
	MAESTRO	MACL-153M	600W
LEVITON	ILLUMATECH	IPL06	150W
		6672	150W
	SURESLIDE	6674	150W
EATON	SMART DIMMER	AAL06	300W
PASS & SEYMOUR	HARMONY	DCL453PTCCCV6	150W
GE	ROCKER	10464	150W
	TOGGLE	18027	150W