



# LCD ROUND DIAMOND LENS

RECESSED LED DOWNLIGHT



## FEATURES

- Edge-lit technology
- Dimming: Triac down to 10%
- Suitable for wet location
- 50,000 Hour lifetime
- 5 CCT selectable

## SPECIFICATIONS

Wattage	10W/15W	Efficacy	83.3LM/W
Lumens	1000LM	Environment	Wet Location
Input Voltage	120V/120-277V	Material	Aluminum
CCT	27K/30K/35K/40K/50K/ 5 CCT SELECT	Operating Temperature	-20°C - 40°C
CRI	90	Certification	ETL
Beam Angle	15°/ 24°/ 36°/ 50°	Cut Out	4.11"
Dimming	Triac		

\*Stock Configuration: LCD-RD-LS-12-CCT-120-36-WT

## ORDERING GUIDE

LCD - RD - LS - \_\_\_\_\_ - \_\_\_\_\_ - \_\_\_\_\_ - \_\_\_\_\_ - \_\_\_\_\_ *Example: LCD-RD-LS-10-CCT-120-15-WT*

Model	Wattage	Lumens	Color Temperature	Input Voltage	Beam Angle	Trim Finish
LCD-RD-LS	<b>10</b> 10W	1000LM	<b>27</b> 2700K	<b>120</b> 120V <b>UNV</b> 120-277V	<b>15</b> 15°	<b>WT</b> White
	<b>15</b> 15W		<b>30</b> 3000K		<b>24</b> 24°	<b>BK</b> Black
			<b>35</b> 3500K		<b>36</b> 36°	<b>BN</b> Brushed Nickel
			<b>40</b> 4000K		<b>50</b> 50°	<b>BZ</b> Bronze
			<b>50</b> 5000K			<b>CP</b> Copper
			<b>5CCT</b> 5CCT Selectable			

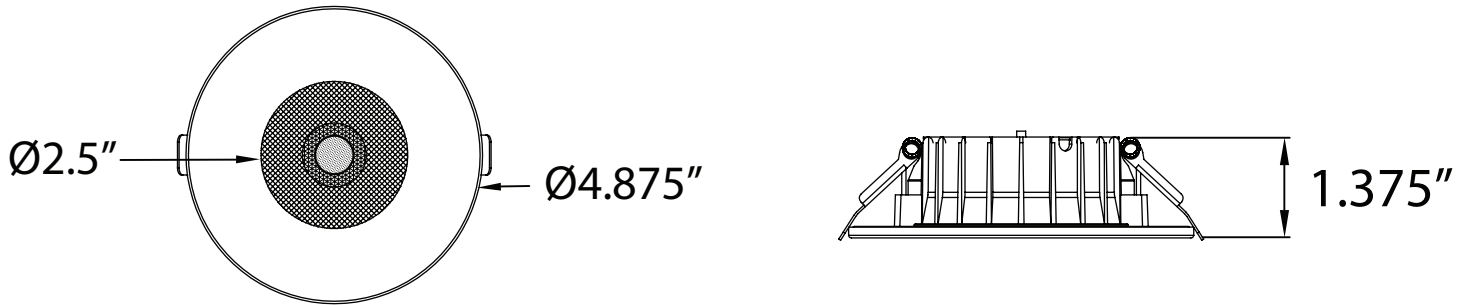
Model	Description
LB15156	New Construction Housing



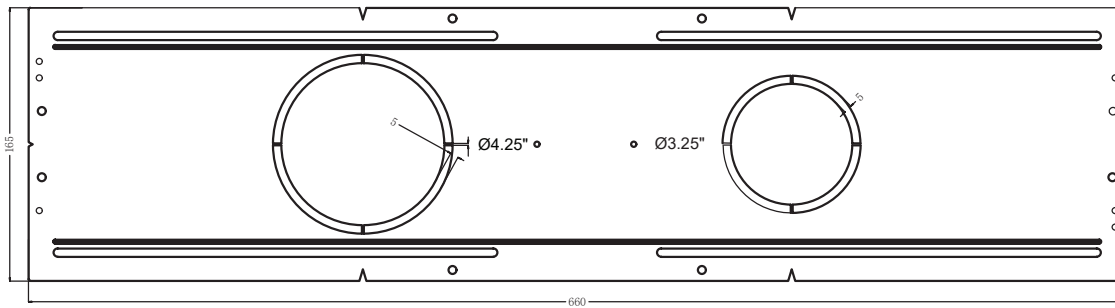
# LCD ROUND DIAMOND LENS

RECESSED LED DOWNLIGHT

## DIMENSIONS



## NEW CONSTRUCTION PLATE





# LCD ROUND DIAMOND LENS

RECESSED LED DOWNLIGHT

## DIMMER COMPATIBLE LIST

BRAND	SERIES	MODEL	LOAD
LUTRON	SKYLARK CONTOUR	LECL-153P	150W
		CTCL-150H	150W
		LGCL-153PLH	150W
		CTCL-153P	150W
		SCL-153P	150W
		S-600P	600W
	CASETA	PD-6WCL	150W
		PD-5NE	150W
		PD-10NXD	250W
		DIVA	DVCL-153P
	TOGGLER	TGCL-153P	150W
	ARIADNI	AYCL-153P	150W
	MAESTRO	MACL-153M	600W
LEVITON	ILLUMATECH	IPL06	150W
		6672	150W
	SURESLIDE	6674	150W
EATON	SMART DIMMER	AAL06	300W
PASS & SEYMOUR	HARMONY	DCL453PTCCCV6	150W
GE	ROCKER	10464	150W
	TOGGLE	18027	150W