

PROJECT:

PREPARED BY:

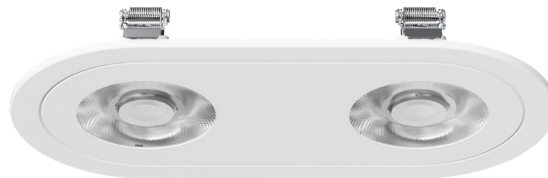
TYPE:



LCD ROUND DOUBLE DIAMOND LEN

RECESSED LED DOWNLIGHT

COMING SOON - AVAILABLE MARCH 2025



FEATURES

- Ultra slim 1.25" height
- Interchangeable trim rings
- Universal voltage
- 5 CCT selectable

SPECIFICATIONS

Wattage	2 x 12W	Efficacy	78LM/W
Lumens	1980LM	Environment	Damp Location
Input Voltage	120-277V	Material	Aluminum
CCT	27K/30K/35K/40K/50K/ 5 CCT SELECT	Operating Temperature	-25°C - 40°C
CRI	90	Certification	ETL
Beam Angle	90°	Cut Out	8.625"W x 3.875" H
Dimming	Triac & 0-10V		

ORDERING GUIDE

LCD-RDD - LS - _____ - UNV - _____ *Example: LCD-RDD-LS-27-UNV-WT*

Model	Wattage	Lumens	Color Temperature	Input Voltage	Beam Angle	Trim Finish
LCD-RDD-LS	2x12W	1980LM	27 2700K	UNV 120-277V	90 90°	WT White
			30 3000K			BK Black
			35 3500K			BN Brushed Nickel
			40 4000K			CC Custom (Inquire)
			50 5000K			
			5CCT 5CCT Selectable			

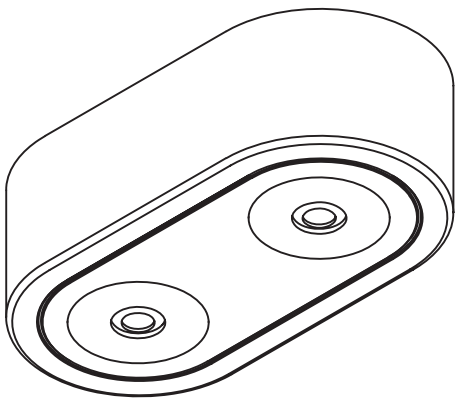
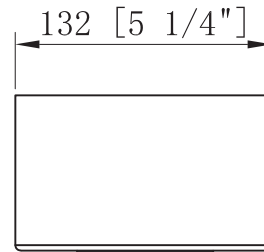
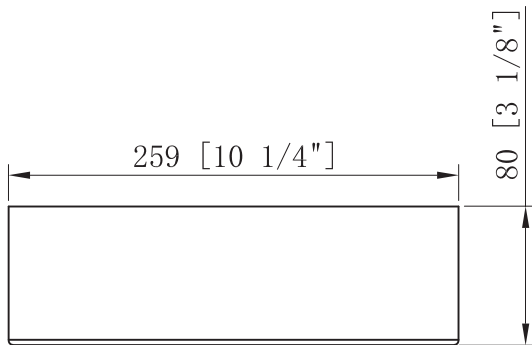
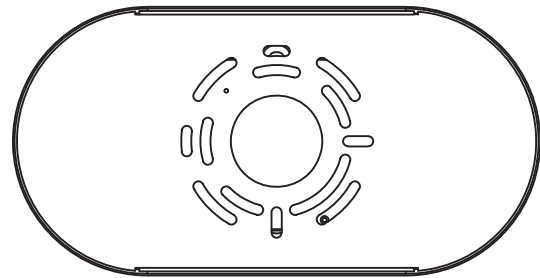
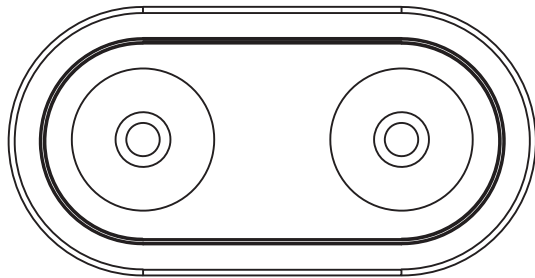
* NCH-LCD - New Construction Plate



ROUND DOUBLE DIAMOND LEN

LCD

RECESSED LED DOWNLIGHT





ROUND DOUBLE DIAMOND LEN

LCD

RECESSED LED DOWNLIGHT

NEW CONSTRUCTION PLATE

