



# RYNO 1.0

1" RECESSED LED DOWNLIGHT



## FEATURES

- Ultra-small 1" aperture delivers focused, architectural lighting with minimal ceiling disruption.
- Efficient 5W, 7W, 10W modules with 80LM/W, delivering powerful yet low-profile performance.
- Available with multiple trim options including round, square, trimless, millwork, and adjustable, allowing seamless for integration.
- Featuring a sleek, integrated form factor with pressure clips for straight forward installation.

## PERFORMANCE

Wattage	5W / 7W / 10W
Lumens (Delivered)	450LM / 560LM / 875LM
Input Voltage	24V
Efficacy	80LM/W
Dimming (Dependent on driver)	PWM, Triac, 0-10V (10%-100%)

## MEDIA

Hex Louver  
Solite

## APPLICATION

Environment	Damp Location
Material	Aluminum
Operating Temperature	-49°F to 113°F
Lifetime	50,000 hrs
Cut Out	1.43"

## LIGHT SOURCE

CCT	2700K/3000K/3500K/Dim to Warm
CRI	90

## OPTICS

Lens	10° / 15° / 24° / 36° / 50°
------	-----------------------------

## CERTIFICATION

ETL  
CETL  
Title 24  
FCC

## SUPPORTIVE FILE (WEBSITE LINK)

[IES File](#)  
[Installation Guide](#)  
[Trimless Mud-In Configuration](#)  
[Millwork Configuration](#)  
[Adjustable Configuration](#)








# RYNO 1.0

1" RECESSED LED DOWNLIGHT

## ORDERING GUIDE

RYN1 - \_\_\_\_\_ - \_\_\_\_\_ - \_\_\_\_\_ - \_\_\_\_\_ - \_\_\_\_\_

**Example: RYN1-5-2790-15L-HX-RDWT**

Component	Component Code	Component Detail
 <p>ENGINE</p> <p>CHIP</p>	<p><b>RYN1-5</b> <b>RYN1-7</b> <b>RYN1-10</b> <b>RYN1-10N</b></p> <p><b>2790</b> <b>3090</b> <b>3590</b> <b>4090</b> <b>DTW</b></p>	<p>5W Engine 7W Engine 10W Engine 10W Engine *10 Narrow Beam*</p> <p>2700K, 90CRI 3000K, 90CRI 3500K, 90CRI 4000K, 90CRI 1800-3000K Dim to Warm, 98CRI</p>
 <p>Lens</p>	<p><b>10L</b> <b>15L</b> <b>24L</b> <b>36L</b> <b>50L</b></p>	<p>10 Degree ** For use with RYN-10N Only 15 Degree 24 Degree 36 Degree 50 Degree</p>
 <p>Hex Louver</p>	<p><b>HX</b> <b>SL</b></p>	<p>Hex Louver Solite (Leave blank for none) (SL-HX for both)</p>
 <p>TRIM</p>	<p><b>RDWT</b> <b>RDBK</b> <b>SQWT</b> <b>SQBK</b></p>	<p>Round Flange Trim, White Finish Round Flange Trim, Black Finish Square Flange Trim, White Finish Square Flange Trim, Black Finish</p>
 <p>REMOTE POWER SUPPLY</p>	<p><b>LB55461</b> <b>LB55463</b> <b>LB55465</b> <b>LB55500</b> <b>LB55501</b> <b>LB55502</b></p>	<p>30W 60W 96W 120W 200W 300W</p>

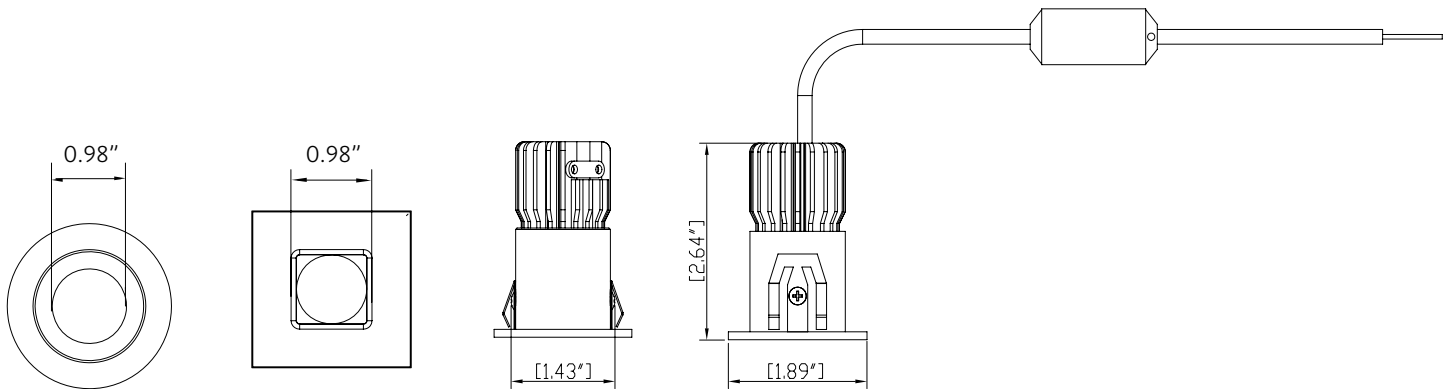


# RYNO 1.0

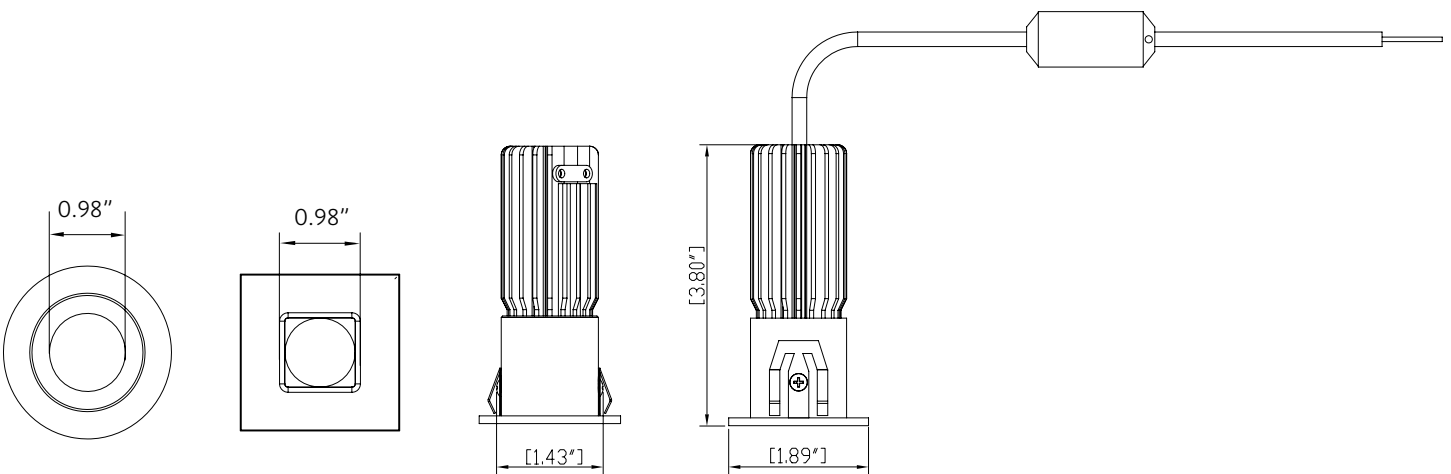
1" RECESSED LED DOWNLIGHT

## DIMENSIONS

5W



7W / 10W





# RYNO 1.0

1" RECESSED LED DOWNLIGHT

## DELIVERED LUMENS MATRIX

90CRI, Lens Optic, White Trim

Wattage	Color Temperature	15° Optic	24° Optic	36° Optic	50° Optic
5W	2700K (90CRI)	420.97	412.86	411	404.87
	3000K (90CRI)	434.98	423.9	418	412.96
	3500K (90CRI)	450.51	441.77	444.72	436.08
	Hex Louver (3000K)	—	—	287.9	—
	Solite (3000K)	—	—	336.93	—
7W	2700K (90CRI)	526.08	519.09	520.89	514.12
	3000K (90CRI)	544.56	532.86	530	529.95
	3500K (90CRI)	564.61	551.84	558.7	543.41
	Hex Louver (3000K)	—	—	361.28	—
	Solite (3000K)	—	—	426.18	—
10W	2700K (90CRI)	784.3	783.14	766.04	761
	3000K (90CRI)	791.69	802.95	795	787.81
	3500K (90CRI)	863.82	874.7	863.06	853.33
	Hex Louver (3000K)	—	—	536.94	—
	Solite (3000K)	—	—	640.08	—



# RYNO 1.0

1" RECESSED LED DOWNLIGHT

## COMPATIBLE DRIVER



Model LB55500  
Wattage 120W  
Dimensions 7.4" x 3.7" x 1.7"  
Temperature IP67  
Dimming Triac / MLV / ELV / 0-10V



Model LB55461  
Wattage 30W  
Dimensions 4.25" x 3.25" x 1.5"  
Temperature IP67  
Dimming Triac / MLV / ELV



Model LB55501  
Wattage 200W  
Dimensions 9.4" x 4" x 1.7"  
Temperature IP20  
Dimming Triac / MLV / ELV / 0-10V



Model LB55463  
Wattage 60W  
Dimensions 4.25" x 3.25" x 1.5"  
Temperature IP67  
Dimming Triac / MLV / ELV



Model LB55502  
Wattage 300W  
Dimensions 10" x 4.3" x 1.7"  
Temperature IP20  
Dimming Triac / MLV / ELV / 0-10V



Model LB55465  
Wattage 96W  
Dimensions 4.25" x 3.25" x 1.5"  
Temperature IP67  
Dimming Triac / MLV / ELV



# RYNO 1.0

1" RECESSED LED DOWNLIGHT

## QUANTITY OF FIXTURE PER DRIVER

Wattage	Driver	Max Fixtures Per Driver
5W	LB55461 (30W)	5
	LB55463 (60W)	10
	LB55465 (96W)	16
	LB55500 (120W)	20
	LB55501 (200W)	33
	LB55502 (300W)	50
7W	LB55461 (30W)	3
	LB55463 (60W)	7
	LB55465 (96W)	11
	LB55500 (120W)	14
	LB55501 (200W)	23
	LB55502 (300W)	35
10W	LB55461 (30W)	2
	LB55463 (60W)	5
	LB55465 (96W)	8
	LB55500 (120W)	10
	LB55501 (200W)	16
	LB55502 (300W)	25